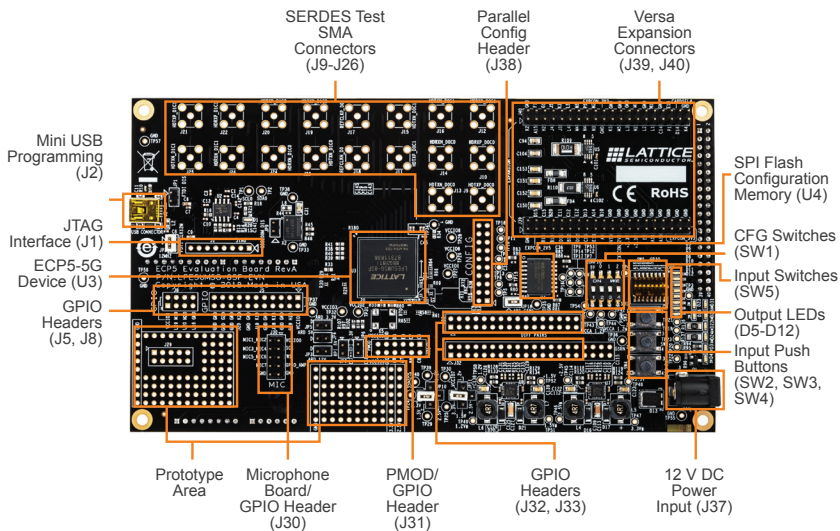


This document provides a brief introduction to ECP5 Evaluation Board.



## 1

### Check Kit Contents

The ECP5 Evaluation Board kit contains the following items

- ECP5 Evaluation Board
- 12V AC/DC Adapter & International Plug Adapters
- USB Cable for Programming via PC (USB-A to Mini-B)
- Limited license with unique serial number for Lattice Diamond development software (optional to use).
- Quick Start Guide

## 2

### Using the ECP5 Evaluation Board

The ECP5 Evaluation Board as shipped supports Master-SPI based configuration. The external SPI Flash Configuration Memory is pre-loaded with a demonstration program described below.

### 3 Installing the software

The ECP5 Evaluation Board is pre-programmed with a basic demonstration.

To develop your own solutions, download and use the Lattice Diamond design software (version 3.6 or later), downloadable from [www.latticesemi.com/software](http://www.latticesemi.com/software).

In case you need it, this board includes a limited license for Lattice Diamond allowing access to design with the ECP5-85 FPGA on the board. A unique license number and instructions are included in this kit.

If you only need to re-program the board, you can use the Diamond Programmer standalone software (version 3.6 or later).

### 4 Powering the Board & Observing the Demo Program

Connect the supplied power adapter to the 12 V DC power input (J37) on the board. A few LEDs should light, indicating the board is powered. Configuration of the ECP5-5G (U3) from the external memory (U4) will complete in a few seconds provided SW1 is in the default state of 010. After configuration, the Output LEDs (D5-D12) will be illuminated in a repeating pattern, provided SW5 is in the default state of 0000 1001.

### 5 Doing More with the ECP5 Evaluation Board

Check the Lattice website at [www.latticesemi.com/ecp5-evaluation](http://www.latticesemi.com/ecp5-evaluation) to download the full User's Guide, the full source code of the default demo, and other resources. You can use the Lattice Diamond software to develop and program your own demos.

#### Additional Terms and Conditions Applicable to Lattice Programming and Development Hardware

Lattice device programmers, programming cables, socket adapters, and other hardware sold for use in conjunction with Lattice software ("Programming Hardware") and Lattice evaluation boards and development kits sold for use in conjunction with evaluating Lattice products ("Development Hardware") are designed and intended for use solely with semiconductor components manufactured by Lattice Semiconductor Corporation. Programming and Development Hardware is warranted to meet Lattice specifications only for a period of ninety (90) days; in all other respects the terms and conditions of sale of Programming and Development Hardware shall be Lattice's standard terms and conditions set forth in Lattice's Sales Order Acknowledgment. Additionally, Lattice specifications for Programming and Development Hardware limit their use to low-volume engineering applications only, and not for volume production use. The warranty for Programming and Development Hardware will not apply to any Programming or Development Hardware used in production, used with worn or improperly installed hardware, or used with incompatible systems or components.

#### Technical Support

[www.latticesemi.com/support](http://www.latticesemi.com/support)

Copyright © 2023 Lattice Semiconductor Corporation. Lattice Semiconductor, L (stylized) Lattice Semiconductor Corp., Lattice (design) are either registered trademarks or trademarks of Lattice Semiconductor Corporation in the United States and/or other countries. Other product names used in this publication are for identification purposes only and may be trademarks of their respective companies.