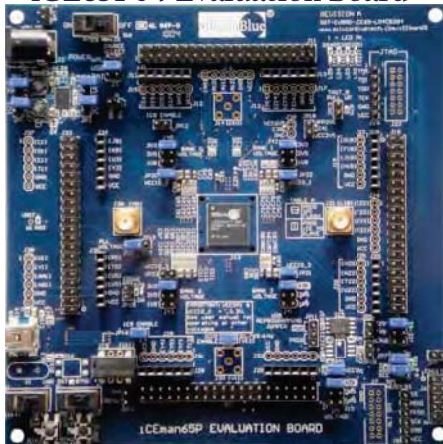


# iCE65P04 Evaluation Kit

(contents not to scale)

## Revision A iCE65P04 Evaluation Board



A complete platform to develop your iCE65P applications, connect it to your real-world application, and measure power.

## Two-pin MTE Power Cable



Easily connect your multimeter to power test points provided on the board.

## USB 2.0 Cable (A to mini-B)



Power the board from your PC or powered USB hub.

Requires iCEcable for programming.  
Sold separately.



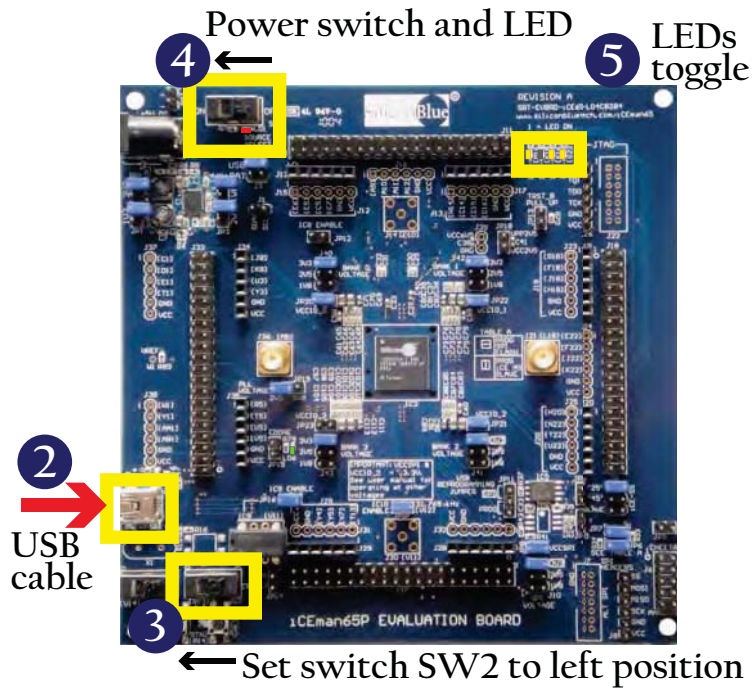
**Open for QUICK START instructions**

# Quick Start Instructions

SiliconBlue

Your iCE65P Evaluation Kit board is pre-tested, pre-programmed, and ready for action.

- 1 Unpack the board and the USB cable. The small red and black cable is only required for taking power measurements using your multimeter.
- 2 Connect one end of the USB cable to your PC or to a powered hub. Connect the mini-B connector to the iCE65P board. The USB cable supplies power to the board.
- 3 Set switch SW2 to off or '0', the left position.
- 4 Turn on the power switch. The red LED adjacent to the power switch lights up, indicating that the board is properly powered.
- 5 The iCE65L04 device automatically loads an application program from the pre-programmed SPI serial Flash. The LEDs on the board blink, controlled by the 32.768 kHz oscillator found on the back of the board.



- 6 For more information, software, applications, and support please visit ...

[www.siliconbluetech.com/products/evaluation\\_kits/iCEmanP04.aspx](http://www.siliconbluetech.com/products/evaluation_kits/iCEmanP04.aspx)

# Wonder what you will find on the iCEman65P Support Website?

[www.siliconbluetech.com](http://www.siliconbluetech.com)

- A complete iCEman65P Kit User Guide
- Full schematics
- Gerber layout files
- Example applications
- Frequently-asked questions (FAQ)
- Troubleshooting guide
- Links to affordable accessory boards and cards for your iCEman65P board
- Latest news and developments

