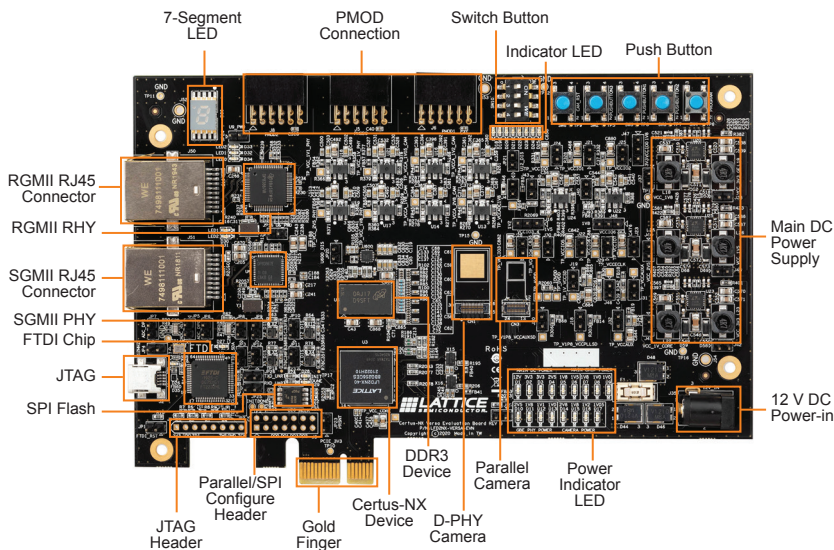


This document provides a brief introduction to Certus-NX Versa Evaluation Board.



1

Check Kit Contents

The Certus-NX Versa Evaluation Board kit contains the following items:

- Certus-NX Versa Evaluation Board
- 12 V AC/DC Adapter & International Plug Adapters
- USB Cable for Programming via PC (USB-A to Mini-B)
- Quick Start Guide

2

Using the Certus-NX Versa Evaluation Board

The Certus-NX Versa Evaluation Board kit contains the following items:

The Certus-NX Versa Evaluation Board as shipped supports Master-SPI based configuration. The external SPI Flash Configuration Memory is pre-loaded with a demonstration program described below.

3 Installing the software

To develop your own solutions, download and use the Lattice Radiant design software (version 2.2 or later), download from www.latticesemi.com/radiant.

If you only need to re-program the board, you can use the Radiant Programmer Standalone software (version 2.2 or later).

4 Powering the Boards & Observing the Demo Program

- These jumpers should be closed. The jumper designators are: JP4, J16(1-2), J18, J19, J20, J21, J22, J23, J24, J25, JP25, JP26, J28, J29, J30, J31, J32, J46, J47(1-2), J48(1-2).
- Connect the supplied power adapter to the 12 V DC power input (J35) on the board. The power indicator LEDs located on low right corner of board should light, indicating the board is powered normally. These LEDs designators are: D1, D2, D3, D4, D5, D6, D7, D8, D9, D10, D11, D12, D13, D14, D15, D16, D17.
- Configuration of the Certus-NX (U3) from the external memory (U26) will complete almost immediately. The LED (D29) will be lighted. It indicates Certus-NX (U3) successfully booted from external SPI flash.
- After configuration, the indicator LED (D21) located in the middle of the top of the board will be lighted.

5 Doing More with the Certus-NX Versa Evaluation Board

For more information on the demo, go to www.latticesemi.com/certus-nx-versa. Here, you can download the demo user guide, the full source code, and other resources. You can use the Lattice Radiant software to develop and program your own demos.

Additional Terms and Conditions Applicable to Lattice Programming and Development Hardware

Lattice device programmers, programming cables, socket adapters, and other hardware sold for use in conjunction with Lattice software ("Programming Hardware") and Lattice evaluation boards and development kits sold for use in conjunction with evaluating Lattice products ("Development Hardware") are designed and intended for use solely with semiconductor components manufactured by Lattice Semiconductor Corporation. Programming and Development Hardware is warranted to meet Lattice specifications only for a period of ninety (90) days; in all other respects the terms and conditions of sale of Programming and Development Hardware shall be Lattice's standard terms and conditions set forth in Lattice's Sales Order Acknowledgment. Additionally, Lattice specifications for Programming and Development Hardware limit their use to low-volume engineering applications only, and not for volume production use. The warranty for Programming and Development Hardware will not apply to any Programming or Development Hardware used in production, used with worn or improperly installed hardware, or used with incompatible systems or components.

Technical Support

www.latticesemi.com/support

Copyright © 2021 Lattice Semiconductor Corporation. Lattice Semiconductor, L (stylized) Lattice Semiconductor Corp., Lattice (design) are either registered trademarks or trademarks of Lattice Semiconductor Corporation in the United States and/or other countries. Other product names used in this publication are for identification purposes only and may be trademarks of their respective companies.