

LATTICE ICE™ Technology Library

Version 3.0
August, 2016



Copyright

Copyright © 2007-2016 Lattice Semiconductor Corporation. All rights reserved. This document may not, in whole or part, be reproduced, modified, distributed, or publicly displayed without prior written consent from Lattice Semiconductor Corporation (“Lattice”).

Trademarks

All Lattice trademarks are as listed at www.latticesemi.com/legal. Synopsys and Synplify Pro are trademarks of Synopsys, Inc. Aldec and Active-HDL are trademarks of Aldec, Inc. All other trademarks are the property of their respective owners.

Disclaimers

NO WARRANTIES: THE INFORMATION PROVIDED IN THIS DOCUMENT IS “AS IS” WITHOUT ANY EXPRESS OR IMPLIED WARRANTY OF ANY KIND INCLUDING WARRANTIES OF ACCURACY, COMPLETENESS, MERCHANTABILITY, NONINFRINGEMENT OF INTELLECTUAL PROPERTY, OR FITNESS FOR ANY PARTICULAR PURPOSE. IN NO EVENT WILL LATTICE OR ITS SUPPLIERS BE LIABLE FOR ANY DAMAGES WHATSOEVER (WHETHER DIRECT, INDIRECT, SPECIAL, INCIDENTAL, OR CONSEQUENTIAL, INCLUDING, WITHOUT LIMITATION, DAMAGES FOR LOSS OF PROFITS, BUSINESS INTERRUPTION, OR LOSS OF INFORMATION) ARISING OUT OF THE USE OF OR INABILITY TO USE THE INFORMATION PROVIDED IN THIS DOCUMENT, EVEN IF LATTICE HAS BEEN ADVISED OF THE POSSIBILITY OF SUCH DAMAGES. BECAUSE SOME JURISDICTIONS PROHIBIT THE EXCLUSION OR LIMITATION OF CERTAIN LIABILITY, SOME OF THE ABOVE LIMITATIONS MAY NOT APPLY TO YOU.

Lattice may make changes to these materials, specifications, or information, or to the products described herein, at any time without notice. Lattice makes no commitment to update this documentation. Lattice reserves the right to discontinue any product or service without notice and assumes no obligation to correct any errors contained herein or to advise any user of this document of any correction if such be made. Lattice recommends its customers obtain the latest version of the relevant information to establish that the information being relied upon is current and before ordering any products.

Revision History

Version	Changes
2.0	Added Version Number to document. Added sections on Default Signal Values for unconnected ports.
2.1	Added PLL primitives
2.2	Corrected SB_CARRY connections to LUT inputs
2.3	Added iCE40 RAM, PLL primitives.
2.4	Added PLL_DS, SB_MIPI_RX_2LANE, SB_TMDS_deserializer primitives.
2.5	Added SB_MAC16 Primitive details.
2.6	Added iCE40LM Hard Macro details. Removed PLL_DS, SB_MIPI, SB_TMDS, SB_MAC16 primitive details.
2.7	Added iCE5LP (iCE40 Ultra) primitive details.
2.8	Removed iCE65 RAM, PLL details.
2.9	Added iCE40UL (iCE40 Ultra Lite) primitive details
3.0	Added iCE40UP (iCE40 Ultra Plus) primitives.

Table of Contents

Register Primitives	7
SB_DFF	7
SB_DFFE	9
SB_DFFSR	11
SB_DFFR	13
SB_DFFSS	15
SB_DFFS	17
SB_DFFESR	19
SB_DFFER	21
SB_DFFESS	23
SB_DFFES	25
SB_DFFN	27
SB_DFFNE	29
SB_DFFNSR	31
SB_DFFNR	33
SB_DFFNSS	35
SB_DFFNS	37
SB_DFFNESR	39
SB_DFFNER	41
SB_DFFNESS	43
SB_DFFNES	45
Combinational Logic Primitives	47
SB_LUT4	47
SB_CARRY	49
Block RAM Primitives	51
iCE40 Block RAM	51
SB_RAM256x16	52
SB_RAM256x16NR	54
SB_RAM256x16NW	55
SB_RAM256x16NRNW	57
SB_RAM512x8	60
SB_RAM512x8NR	62
SB_RAM512x8NW	63
SB_RAM512x8NRNW	65
SB_RAM1024x4	68
SB_RAM1024x4NR	70
SB_RAM1024x4NW	71
SB_RAM1024x4NRNW	73
SB_RAM2048x2	76
SB_RAM2048x2NR	78
SB_RAM2048x2NW	79
SB_RAM2048x2NRNW	81

SB_RAM40_4K.....	83
IO Primitives.....	88
SB_IO.....	88
Global Buffer Primitives.....	92
SB_GB_IO.....	92
SB_GB Primitive.....	93
PLL Primitives.....	94
iCE40 PLL Primitives.....	94
SB_PLL40_CORE.....	94
SB_PLL40_PAD.....	98
SB_PLL40_2_PAD.....	102
SB_PLL40_2F_CORE.....	105
SB_PLL40_2F_PAD.....	109
Hard Macro Primitives.....	113
iCE40LM Hard Macros.....	113
SB_HSOSC (For HSSG).....	113
SB_LSOSC (For LPSG).....	114
SB_I2C.....	114
SB_SPI.....	117
iCE5LP (iCE40 Ultra) Hard Macros.....	121
SB_HFOSC.....	121
SB_LFOSC.....	122
SB_LED_DRV_CUR.....	123
SB_RGB_DRV.....	124
SB_IR_DRV.....	125
SB_RGB_IP.....	127
SB_IO_OD.....	128
SB_I2C.....	130
SB_SPI.....	131
SB_MAC16.....	132
iCE40UL (iCE40 Ultra Lite) Hard Macros.....	145
SB_HFOSC.....	145
SB_LFOSC.....	146
SB_RGBA_DRV.....	147
SB_IR400_DRV.....	149
SB_BARCODE_DRV.....	150
SB_IR500_DRV.....	151
SB_LEDDA_IP.....	153
SB_IR_IP.....	154
SB_IO_OD.....	157
SB_I2C_FIFO.....	159
iCE40UP (iCE40 Ultra Plus) Hard Macros.....	162
SB_HFOSC.....	162

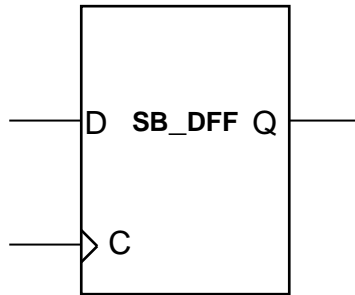
SB_LFOSC	163
SB_RGBA_DRV.....	164
SB_LEDDA_IP	166
SB_IO_OD	167
SB_I2C.....	170
SB_SPI	171
SB_MAC16	172
SB_SPRAM256KA.....	173
SB_IO_I3C.....	176
Device Configuration Primitives	180
SB_WARMBOOT	180

Register Primitives

SB_DFF

D Flip-Flop

Data: D is loaded into the flip-flop during a rising clock edge transition.



Inputs			Output
	D	C	Q
	0	↗	0
	1	↗	1
Power on State	X	X	0

Key
↗ Rising Edge
1 High logic level
0 Low logic level
X Don't care
? Unknown

HDL use

This register is inferred during synthesis and can also be explicitly instantiated.

Verilog Instantiation

```
// SB_DFF - D Flip-Flop.  
SB_DFF SB_DFF_inst (  
    .Q(Q),           // Registered Output  
    .C(C),           // Clock  
    .D(D),           // Data  
);  
  
// End of SB_DFF instantiation
```

VHDL Instantiation

```
-- SB_DFF - D Flip-Flop.
```

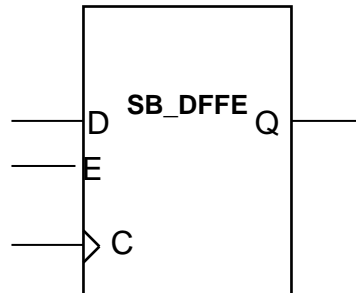
```
SB_DFF_inst: SB_DFF
  port map (
    Q => Q,          -- Registered Output
    C => C,          -- Clock
    D => D,          -- Data
  );

-- End of SB_DFF instantiation
```


SB_DFFE

D Flip-Flop with Clock Enable

Data D is loaded into the flip-flop when Clock Enable E is high, during a rising clock edge transition.



Inputs			Output
E	D	C	Q
0	X	X	Previous Q
1	0	↗	0
1	1	↗	1
Power on State	X	X	0

Key
↗ Rising Edge
1 High logic level
0 Low logic level
X Don't care
? Unknown

HDL Usage

This register is inferred during synthesis and can also be explicitly instantiated.

Default Signal Values

The iCEcube2 software assigns the following signal values to unconnected input ports:

Input D: Logic '0'
Input C: Logic '0'
Input E: Logic '1'

Note that explicitly connecting a logic '1' value to port E will result in a non-optimal implementation, since an extra LUT will be used to generate the logic '1'. It is recommended that the user leave the port E unconnected, or use the corresponding flip-flop without Enable functionality i.e. the DFF primitive.

Verilog Instantiation

```
// SB_DFFE - D Flip-Flop with Clock Enable.  
  
SB_DFFE    SB_DFFE_inst (  
    .Q(Q),           // Registered Output  
    .C(C),           // Clock  
    .D(D),           // Data  
    .E(E),           // Clock Enable  
);  
  
// End of SB_DFFE instantiation
```

VHDL Instantiation

-- SB_DFFE - D Flip-Flop with Clock Enable.

```
SB_DFFE_inst: SB_DFFE
    port map (
        Q => Q,          -- Registered Output
        C => C,          -- Clock
        D => D,          -- Data
        E => E,          -- Clock Enable
    );
```

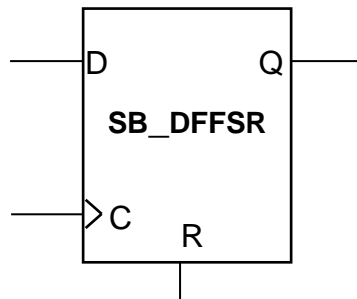
-- End of SB_DFFE instantiation

SB_DFFSR

D Flip-Flop with Synchronous Reset

Data: D is loaded into the flip-flop when Reset R is low during a rising clock edge transition.

Reset: R input is active high, overrides all other inputs and resets the Q output during a rising clock edge.



Inputs			Output
R	D	C	Q
1	X	↗	0
X	X	0	No Change
0	0	↗	0
0	1	↗	1
Power on State	X	X	0

Key

- ↗ Rising Edge
- 1 High logic level
- 0 Low logic level
- X Don't care
- ? Unknown

HDL Usage

This register is inferred during synthesis and can also be explicitly instantiated.

Default Signal Values

The iCEcube2 software assigns the following signal values to unconnected input ports:

Input D: Logic '0'

Input C: Logic '0'

Input R: Logic '0'

Verilog Instantiation

```
// SB_DFFSR - D Flip-Flop, Reset is synchronous with the rising clock edge
```

```
SB_DFFSR SB_DFFSR_inst (  
    .Q(Q),           // Registered Output  
    .C(C),           // Clock  
    .D(D),           // Data  
    .R(R)            // Synchronous Reset  
);
```

```
// End of SB_DFFSR instantiation
```

VHDL Instantiation

-- SB_DFFSR - D Flip-Flop, Reset is synchronous with the rising clock edge

```
SB_DFFSR_inst : SB_DFFSR
  port map (
    Q => Q,          -- Registered Output
    C => C,          -- Clock
    D => D,          -- Data
    R => R           -- Synchronous Reset
  );
```

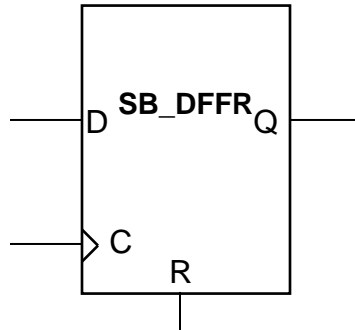
-- End of SB_DFFSR instantiation

SB_DFFR

D Flip-Flop with Asynchronous Reset

Data: D is loaded into the flip-flop when R is low during a rising clock edge transition.

Reset: R input is active high, overrides all other inputs and asynchronously resets the Q output.



Inputs			Output
R	D	C	Q
1	X	X	0
0	0	↗	0
0	1	↗	1
Power on State	X	X	0

Key

- ↗ Rising Edge
- 1 High logic level
- 0 Low logic level
- X Don't care
- ? Unknown

HDL Usage

This register is inferred during synthesis and can also be explicitly instantiated.

Default Signal Values

The iCEcube2 software assigns the following signal values to unconnected input ports:

Input D: Logic '0'

Input C: Logic '0'

Input R: Logic '0'

Verilog Instantiation

```
// SB_DFFR - D Flip-Flop, Reset is asynchronous to the clock.
```

```
SB_DFFR SB_DFFR_inst (  
    .Q(Q),           // Registered Output  
    .C(C),           // Clock  
    .D(D),           // Data  
    .R(R)            // Asynchronous Reset  
);
```

```
// End of SB_DFFR instantiation
```

VHDL Instantiation

```
-- SB_DFFR - D Flip-Flop, Reset is asynchronous to the clock.
```

```
SB_DFFR_inst: SB_DFFR
  port map (
    Q => Q,          -- Registered Output
    C => C,          -- Clock
    D => D,          -- Data
    R => R           -- Asynchronous Reset
  );
```

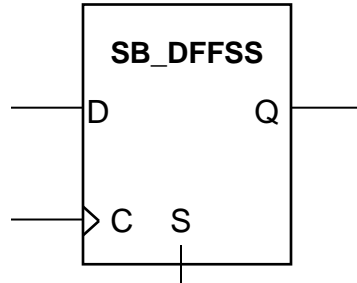
```
-- End of SB_DFFR instantiation
```

SB_DFFSS

D Flip-Flop with Synchronous Set

Data: D is loaded into the flip-flop when the Synchronous Set S is low during a rising clock edge transition.

Set: S input is active high, overrides all other inputs and synchronously sets the Q output.



Inputs			Output
S	D	C	Q
1	X	↗	1
0	0	↗	0
0	1	↗	1
Power on State	X	X	0

Key

- ↗ Rising Edge
- 1 High logic level
- 0 Low logic level
- X Don't care
- ? Unknown

HDL Usage

This register is inferred during synthesis and can also be explicitly instantiated.

Default Signal Values

The iCEcube2 software assigns the following signal values to unconnected input ports:

Input D: Logic '0'

Input C: Logic '0'

Input S: Logic '0'

Verilog Instantiation

```
// SB_DFFSS - D Flip-Flop, Set is synchronous with the rising clock edge,
```

```
SB_DFFSS SB_DFFSS_inst (  
    .Q(Q),           // Registered Output  
    .C(C),           // Clock  
    .D(D),           // Data  
    .S(S)            // Synchronous Set  
);
```

```
// End of SB_DFFSS instantiation
```

VHDL Instantiation

-- SB_DFFSS - D Flip-Flop, Set is synchronous with the rising clock edge

```
SB_DFFSS_inst  SB_DFFSS
  port map (
    Q => Q,      -- Registered Output
    C => C,      -- Clock
    D => D,      -- Data
    S => S       -- Synchronous Set
  );
```

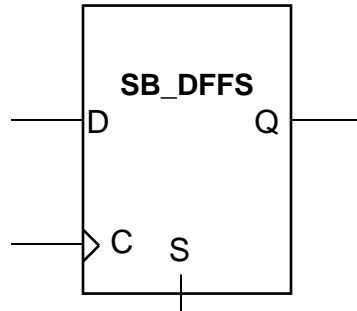
-- End of SB_DFFSS instantiation

SB_DFFS

D Flip-Flop with Asynchronous Set

Data: D is loaded into the flip-flop when S is low during a rising clock edge transition.

Set: S input is active high, and it overrides all other inputs and asynchronously sets the Q output.



Inputs			Output
S	D	C	Q
1	X	X	1
0	0	↗	0
0	1	↗	1
Power on State	X	X	0

Key

- ↗ Rising Edge
- 1 High logic level
- 0 Low logic level
- X Don't care
- ? Unknown

HDL Usage

This register is inferred during synthesis and can also be explicitly instantiated.

Default Signal Values

The iCEcube2 software assigns the following signal values to unconnected input ports:

Input D: Logic '0'

Input C: Logic '0'

Input S: Logic '0'

Verilog Instantiation

```
// SB_DFFS - D Flip-Flop, Set is asynchronous to the rising clock edge
```

```
SB_DFFS SB_DFFS_inst (  
    .Q(Q),           // Registered Output  
    .C(C),           // Clock  
    .D(D),           // Data  
    .S(S)            // Asynchronous Set  
);
```

```
// End of SB_DFFS instantiation
```

VHDL Instantiation

-- SB_DFFS - D Flip-Flop, Set is asynchronous to the rising clock edge

```
SB_DFFS_inst: SB_DFFS
  port map (
    Q => Q,          -- Registered Output
    C => C,          -- Clock
    D => D,          -- Data
    S => S           -- Asynchronous Set
  );
```

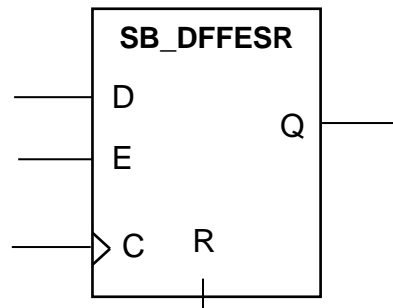
-- End of SB_DFFS instantiation

SB_DFFESR

D Flip-Flop with Clock Enable and Synchronous Reset

Data: D is loaded into the flip-flop when Reset R is low and Clock Enable E is high during a rising clock edge transition.

Reset: R, when asserted with Clock Enable E high, synchronously resets the Q output during a rising clock edge.



Inputs				Output
R	E	D	C	Q
1	1	X	↗	0
X	0	X	X	Previous Q
0	1	0	↗	0
0	1	1	↗	1
Power on State	X	X	X	0

Key

- ↗ Rising Edge
- 1 High logic level
- 0 Low logic level
- X Don't care
- ? Unknown

HDL Usage

This register is inferred during synthesis and can also be explicitly instantiated.

Default Signal Values

The iCEcube2 software assigns the following signal values to unconnected input ports:

Input D: Logic '0'
Input C: Logic '0'
Input R: Logic '0'
Input E: Logic '1'

Note that explicitly connecting a Logic '1' value to port E will result in a non-optimal implementation, since an extra LUT will be used to generate the Logic '1'. If the user's intention is to keep the FF always enabled, it is recommended that either port E be left unconnected, or the corresponding FF without a Clock Enable port be used.

Verilog Instantiation

```
// SB_DFFESR - D Flip-Flop, Reset is synchronous with rising clock edge
// Clock Enable.
```

```
SB_DFFESR SB_DFFESR_inst (
    .Q(Q),           // Registered Output
    .C(C),           // Clock
    .E(E),           // Clock Enable
    .D(D),           // Data
    .R(R)            // Synchronous Reset
);
```

```
// End of SB_DFFESR instantiation
```

VHDL Instantiation

```
-- SB_DFFESR - D Flip-Flop, Reset is synchronous with rising clock edge
-- Clock Enable.
```

```
SB_DFFESR_inst: SB_DFFESR
    port map (
        Q => Q,           -- Registered Output
        C => C,           -- Clock
        E => E,           -- Clock Enable
        D => D,           -- Data
        R => R            -- Synchronous Reset
    );
```

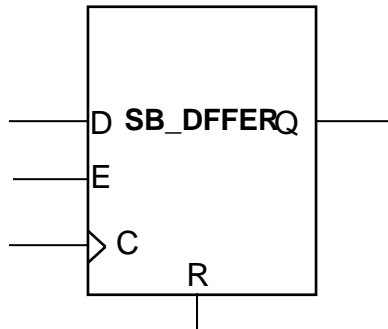
```
-- End of SB_DFFESR instantiation
```

SB_DFFER

D Flip-Flop with Clock Enable and Asynchronous Reset

Data: D is loaded into the flip-flop when Reset R is low and Clock Enable E is high during a rising clock edge transition.

Reset: R input is active high, overrides all other inputs and asynchronously resets the Q output.



Inputs				Output
R	E	D	C	Q
1	X	X	X	0
0	0	X	X	Previous Q
0	1	0	↗	0
0	1	1	↗	1
Power on State	X	X	X	0

Key

- ↗ Rising Edge
- 1 High logic level
- 0 Low logic level
- X Don't care
- ? Unknown

HDL Usage

This register is inferred during synthesis and can also be explicitly instantiated.

Default Signal Values

The iCEcube2 software assigns the following signal values to unconnected input ports:

Input D: Logic '0'
Input C: Logic '0'
Input R: Logic '0'
Input E: Logic '1'

Note that explicitly connecting a Logic '1' value to port E will result in a non-optimal implementation, since an extra LUT will be used to generate the Logic '1'. If the user's intention is to keep the FF always enabled, it is recommended that either port E be left unconnected, or the corresponding FF primitive without a Clock Enable port be used.

Verilog Instantiation

// SB_DFFER - D Flip-Flop, Reset is asynchronously on rising clock edge with Clock Enable.

```
SB_DFFER SB_DFFER_inst (  
    .Q(Q),           // Registered Output  
    .C(C),           // Clock  
    .E(E),           // Clock Enable  
    .D(D),           // Data  
    .R(R),           // Asynchronously Reset  
);
```

// End of SB_DFFER instantiation

VHDL Instantiation

-- SB_DFFER - D Flip-Flop, Reset is asynchronously
-- on rising clock edge with Clock Enable.

```
SB_DFFER_inst : SB_DFFER  
    port map (  
        Q => Q,       -- Registered Output  
        C => C,       -- Clock  
        E => E,       -- Clock Enable  
        D => D,       -- Data  
        R => R        -- Asynchronously Reset  
);
```

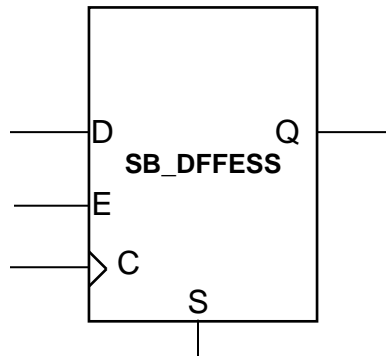
-- End of SB_DFFER instantiation

SB_DFFESS

D Flip-Flop with Clock Enable and Synchronous Set

Data: D is loaded into the flip-flop when S is low and E is high during a rising clock edge transition.

Set: Asserting S when Clock Enable E is high, synchronously sets the Q output.



Inputs				Output
S	E	D	C	Q
1	1	X	↗	1
0	0	X	X	Previous Q
0	1	0	↗	0
0	1	1	↗	1
Power on State	X	X	X	0

Key

- ↗ Rising Edge
- 1 High logic level
- 0 Low logic level
- X Don't care
- ? Unknown

HDL Usage

This register is inferred during synthesis and can also be explicitly instantiated.

Default Signal Values

The iCEcube2 software assigns the following signal values to unconnected input ports:

Input D: Logic '0'
Input C: Logic '0'
Input R: Logic '0'
Input S: Logic '0'

Verilog Instantiation

```
// SB_DFFESS - D Flip-Flop, Set is synchronous with rising clock edge and Clock Enable.
```

```
SB_DFFESS SB_DFFESS_inst (  
    .Q(Q),           // Registered Output  
    .C(C),           // Clock  
    .E(E),           // Clock Enable  
    .D(D),           // Data  
    .S(S)            // Synchronously Set  
);
```

```
// End of SB_DFFESS instantiation
```

VHDL Instantiation

```
-- SB_DFFESS - D Flip-Flop, Set is synchronous with rising clock edge and Clock Enable.
```

```
SB_DFFESS_inst : SB_DFFESS
  port map (
    Q => Q,          -- Registered Output
    C => C,          -- Clock
    E => E,          -- Clock Enable
    D => D,          -- Data
    S => S           -- Synchronously Set
  );
```

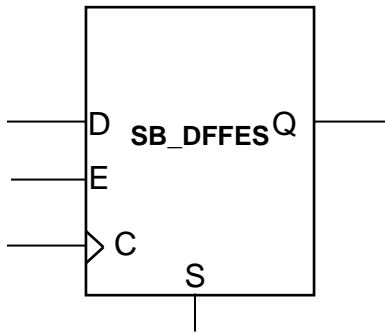
```
-- End of SB_DFFESS instantiation
```


SB_DFFES

D Flip-Flop with Clock Enable and Asynchronous Set

Data: D is loaded into the flip-flop when S is low and E is high during a rising clock edge transition.

Set: S input is active high, overrides all other inputs and asynchronously sets the Q output.



Inputs				Output
S	E	D	CLK	Q
1	X	X	X	1
0	0	X	X	Previous Q
0	1	0	↗	0
0	1	1	↗	1
Power on State	X	X	X	0

Key

- ↗ Rising Edge
- 1 High logic level
- 0 Low logic level
- X Don't care
- ? Unknown

HDL Usage

This register is inferred during synthesis and can also be explicitly instantiated.

Default Signal Values

The iCEcube2 software assigns the following signal values to unconnected input ports:

Input D: Logic '0'
Input C: Logic '0'
Input S: Logic '0'
Input E: Logic '1'

Verilog Instantiation

// SB_DFFES - D Flip-Flop, Set is asynchronous on rising clock edge with Clock Enable.

```
SB_DFFES SB_DFFES_inst (  
    .Q(Q),           // Registered Output  
    .C(C),           // Clock  
    .E(E),           // Clock Enable  
    .D(D),           // Data  
    .S(S)            // Asynchronously Set  
);
```

```
// End of SB_DFFES instantiation
```

VHDL Instantiation

```
-- SB_DFFES - D Flip-Flop, Set is asynchronous on rising clock edge with Clock Enable.
```

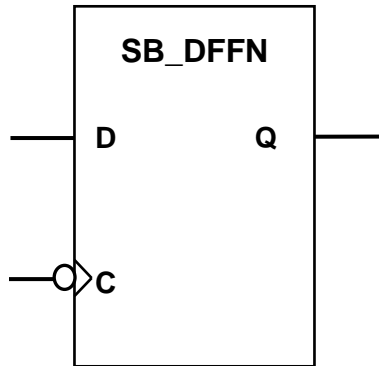
```
SB_DFFES_inst : SB_DFFES
  port map (
    Q => Q,          -- Registered Output
    C => C,          -- Clock
    E => E,          -- Clock Enable
    D => D,          -- Data
    S => S           -- Asynchronously Set
  );
```

```
-- End of SB_DFFES instantiation
```

SB_DFFN

D Flip-Flop – Negative Edge Clock

Data: D is loaded into the flip-flop during the falling clock edge transition.



Inputs			Output
	D	C	Q
	0	↘	0
	1	↘	1
Power on State	X	X	0

Key
↘ Falling Edge
1 High logic level
0 Low logic level
X Don't care
? Unknown

HDL Usage

This register is inferred during synthesis and can also be explicitly instantiated.

Default Signal Values

The iCEcube2 software assigns the following signal values to unconnected input ports:

Input D: Logic '0'

Input C: Logic '0'

Verilog Instantiation

```
// SB_DFFN - D Flip-Flop – Negative Edge Clock.  
  
SB_DFFN SB_DFFN_inst (  
    .Q(Q),           // Registered Output  
    .C(C),           // Clock  
    .D(D),           // Data  
);  
  
// End of SB_DFFN instantiation
```

VHDL Instantiation

-- SB_DFFN - D Flip-Flop – Negative Edge Clock.

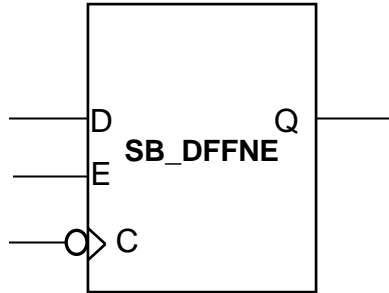
```
SB_DFFN_inst : SB_DFFN
  port map (
    Q => Q,          -- Registered Output
    C => C,          -- Clock
    D => D,          -- Data
  );
```

-- End of SB_DFFN instantiation

SB_DFFNE

D Flip-Flop – Negative Edge Clock and Clock Enable

Data: D is loaded into the flip-flop when E is high, during the falling clock edge transition.



Inputs			Output
E	D	C	Q
0	X	X	0
1	0	↘	0
1	1	↘	1
Power on State	X	X	0

Key

- ↘ Falling Edge
- 1 High logic level
- 0 Low logic level
- X Don't care
- ? Unknown

HDL Usage

This register is inferred during synthesis and can also be explicitly instantiated.

Default Signal Values

The iCEcube2 software assigns the following signal values to unconnected input ports:

Input D: Logic '0'

Input C: Logic '0'

Input E: Logic '1'

Note that explicitly connecting a Logic '1' value to port E will result in a non-optimal implementation, since an extra LUT will be used to generate the Logic '1'. If the user's intention is to keep the FF always enabled, it is recommended that either port E be left unconnected, or the corresponding FF without a Clock Enable port be used.

Verilog Instantiation

```
// SB_DFFNE - D Flip-Flop – Negative Edge Clock and Clock Enable.
```

```
SB_DFFNE SB_DFFNE_inst (  
    .Q(Q),           // Registered Output  
    .C(C),           // Clock  
    .D(D),           // Data  
    .E(E),           // Clock Enable  
);
```

```
// End of SB_DFFNE instantiation
```

VHDL Instantiation

```
-- SB_DFFNE - D Flip-Flop – Negative Edge Clock and Clock Enable.
```

```
SB_DFFNE_inst : SB_DFFNE  
  port map (  
    Q => Q,          -- Registered Output  
    C => C,          -- Clock  
    D => D,          -- Data  
    E => E,          -- Clock Enable  
  );
```

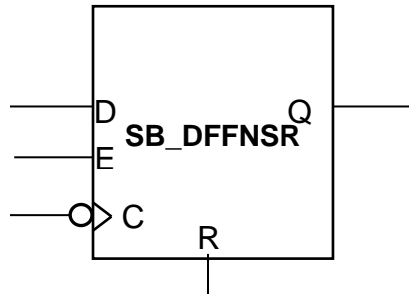
```
-- End of SB_DFFNE instantiation
```

SB_DFFNSR

D Flip-Flop – Negative Edge Clock with Synchronous Reset

Data: D is loaded into the flip-flop when R is low during the falling clock edge transition.

Reset: R input is active high, overrides all other inputs and resets the Q output during the falling clock edge transition.



Inputs			Output
R	D	C	Q
1	X	↘	0
X	X	↗	No Change
0	0	↘	0
0	1	↘	1
Power on State	X	X	0

Key

- ↘ Falling Edge
- 1 High logic level
- 0 Low logic level
- X Don't care
- ? Unknown

HDL Usage

This register is inferred during synthesis and can also be explicitly instantiated.

Default Signal Values

The iCEcube2 software assigns the following signal values to unconnected input ports:

Input D: Logic '0'

Input C: Logic '0'

Input R: Logic '0'

Verilog Instantiation

```
// SB_DFFNSR - D Flip-Flop – Negative Edge Clock, Reset is synchronous with the falling clock edge
```

```
SB_DFFNSR SB_DFFNSR_inst (  
    .Q(Q),           // Registered Output  
    .C(C),           // Clock  
    .D(D),           // Data  
    .R(R),           // Synchronous Reset  
);
```

```
// End of SB_DFFNSR instantiation
```

VHDL Instantiation

```
-- SB_DFFNSR - D Flip-Flop – Negative Edge Clock, Reset is synchronous with the falling clock edge
```

```
SB_DFFNSR_inst: SB_DFFNSR
  port map (
    Q => Q,          -- Registered Output
    C => C,          -- Clock
    D => D,          -- Data
    R => R           -- Synchronous Reset
  );
```

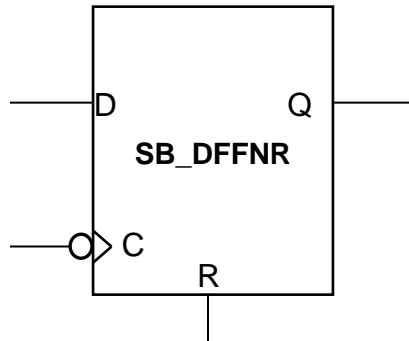
```
-- End of SB_DFFNSR instantiation
```


SB_DFFNR

D Flip-Flop – Negative Edge Clock with Asynchronous Reset

Data: D is loaded into the flip-flop when R is low during the falling clock edge transition.

Reset: R input is active high, overrides all other inputs and asynchronously resets the Q output.



Inputs			Output
R	D	CLK	Q
1	X	X	0
0	0	↘	0
0	1	↘	1
Power on State	X	X	0

Key

- ↘ Falling Edge
- 1 High logic level
- 0 Low logic level
- X Don't care
- ? Unknown

HDL Usage

This register is inferred during synthesis and can also be explicitly instantiated.

Default Signal Values

The iCEcube2 software assigns the following signal values to unconnected input ports:

Input D: Logic '0'
Input C: Logic '0'
Input R: Logic '0'

Verilog Instantiation

// SB_DFFNR - D Flip-Flop – Negative Edge Clock, Reset is asynchronous to the clock.

```
SB_DFFNR SB_DFFNR_inst (  
    .Q(Q),           // Registered Output  
    .C(C),           // Clock  
    .D(D),           // Data  
    .R(R),           // Asynchronously Reset  
);
```

// End of SB_DFFNR instantiation

VHDL Instantiation

-- SB_DFFNR - D Flip-Flop – Negative Edge Clock, Reset is asynchronous to the clock.

```
SB_DFFNR_inst : SB_DFFNR
  port map (
    Q => Q,          -- Registered Output
    C => C,          -- Clock
    D => D,          -- Data
    R => R           -- Asynchronously Reset
  );
```

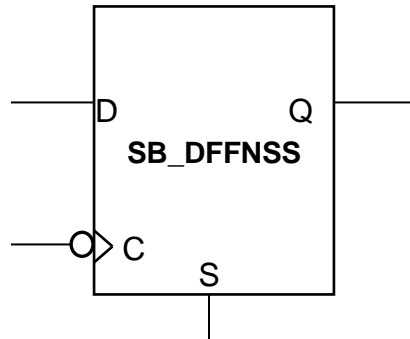
-- End of SB_DFFNR instantiation

SB_DFFNSS

D Flip-Flop – Negative Edge Clock with Synchronous Set

Data: D is loaded into the flip-flop when S is low during the falling clock edge transition.

Set: S input is active high, overrides all other inputs and synchronously sets the Q output.



Inputs			Output
S	D	C	Q
1	X	↘	1
0	0	↘	0
0	1	↘	1
Power on State	X	X	0

Key

- ↘ Falling Edge
- 1 High logic level
- 0 Low logic level
- X Don't care
- ? Unknown

HDL Usage

This register is inferred during synthesis and can also be explicitly instantiated.

Default Signal Values

The iCEcube2 software assigns the following signal values to unconnected input ports:

Input D: Logic '0'

Input C: Logic '0'

Input S: Logic '0'

Verilog Instantiation

```
// SB_DFFNSS - D Flip-Flop – Negative Edge Clock, Set is synchronous with the falling clock edge,
```

```
    SB_DFFNSS SB_DFFNSS_inst (  
        .Q(Q),           // Registered Output  
        .C(C),           // Clock  
        .D(D),           // Data  
        .S(S)            // Synchronous Set  
    );
```

```
// End of SB_DFFNSS instantiation
```

VHDL Instantiation

-- SB_DFFNSS - D Flip-Flop – Negative Edge Clock, Set is synchronous with the falling clock edge,

```
SB_DFFNSS_inst : SB_DFFNSS
port map (
Q => Q,          -- Registered Output
C => C,          -- Clock
D => D,          -- Data
S => S          -- Synchronous Set
);
```

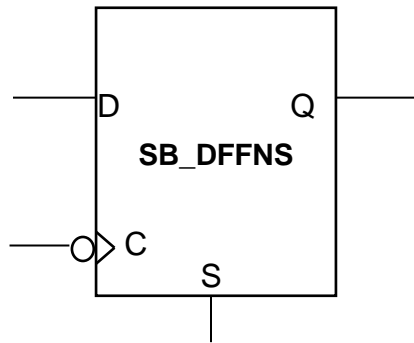
-- End of SB_DFFNSS instantiation

SB_DFFNS

D Flip-Flop – Negative Edge Clock with Asynchronous Set

Data: D is loaded into the flip-flop when S is low during the falling clock edge transition.

Set: S input is active high, overrides all other inputs and asynchronously sets the Q output.



Inputs			Output
S	D	C	Q
1	X	X	1
0	0	↘	0
0	1	↘	1
Power on State	X	X	0

Key

- ↘ Falling Edge
- 1 High logic level
- 0 Low logic level
- X Don't care
- ? Unknown

HDL Usage

This register is inferred during synthesis and can also be explicitly instantiated.

Default Signal Values

The iCEcube2 software assigns the following signal values to unconnected input ports:

Input D: Logic '0'
Input C: Logic '0'
Input S: Logic '0'

Verilog Instantiation

```
// SB_DFFNS - D Flip-Flop – Negative Edge Clock, Set is asynchronous to the falling clock edge,
```

```
SB_DFFNS SB_DFFNS_inst (  
    .Q(Q),           // Registered Output  
    .C(C),           // Clock  
    .D(D),           // Data  
    .S(S),           // Asynchronous Set  
);
```

```
// End of SB_DFFNS instantiation
```

VHDL Instantiation

-- SB_DFFNS - D Flip-Flop – Negative Edge Clock, Set is asynchronous to the falling clock edge

```
SB_DFFNS_inst : SB_DFFNS
  port map (
    Q => Q,          -- Registered Output
    C => C,          -- Clock
    D => D,          -- Data
    S => S           -- Asynchronous Set
  );
```

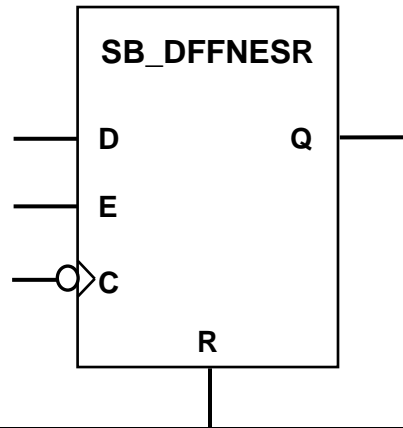
-- End of SB_DFFNS instantiation

SB_DFFNESR

D Flip-Flop – Negative Edge Clock, Enable and Synchronous Reset

Data: D is loaded into the flip-flop when R is low and E is high during the falling clock edge transition.

Reset: Asserting R when the Clock Enable E is high, synchronously resets the Q output during the falling clock edge.



Inputs				Output
R	E	D	C	Q
1	1	X	↘	0
X	0	X	X	Previous Q
0	1	0	↘	0
0	1	1	↘	1
Power on State	X	X	X	0

Key

- ↘ Falling Edge
- 1 High logic level
- 0 Low logic level
- X Don't care
- ? Unknown

HDL Usage

This register is inferred during synthesis and can also be explicitly instantiated.

Default Signal Values

The iCEcube2 software assigns the following signal values to unconnected input ports:

Input D: Logic '0'
Input C: Logic '0'
Input R: Logic '0'
Input E: Logic '1'

Note that explicitly connecting a Logic '1' value to port E will result in a non-optimal implementation, since an extra LUT will be used to generate the Logic '1'. If the user's intention is to keep the FF always enabled, it is recommended that either port E be left unconnected, or the corresponding FF without a Clock Enable port be used.

Verilog Instantiation

```
// SB_DFFNESR - D Flip-Flop – Negative Edge Clock, Reset is synchronous with falling clock edge Clock Enable.
```

```

SB_DFFNESR  SB_DFFNESR_inst (
    .Q(Q),           // Registered Output
    .C(C),           // Clock
    .E(E),           // Clock Enable
    .D(D),           // Data
    .R(R)            // Synchronous Reset
);

```

```
// End of SB_DFFNESR instantiation
```

VHDL Instantiation

-- SB_DFFNESR - D Flip-Flop – Negative Edge Clock, Reset is synchronous with falling clock edge Clock Enable.

```

SB_DFFNESR_inst : SB_DFFNESR
    port map (
        Q => Q,       -- Registered Output
        C => C,       -- Clock
        E => E,       -- Clock Enable
        D => D,       -- Data
        R => R        -- Synchronous Reset
    );

```

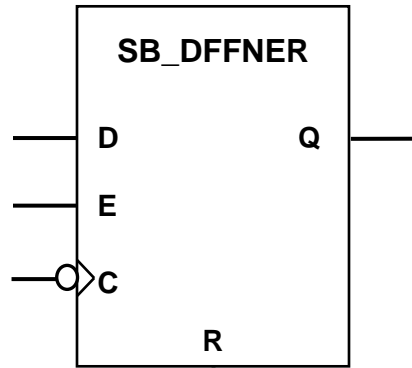
```
-- End of SB_DFFNESR instantiation
```


SB_DFFNER

D Flip-Flop – Negative Edge Clock, Enable and Asynchronous Reset

Data: D is loaded into the flip-flop when R is low and E is high during the falling clock edge transition.

Reset: R input is active high, and it overrides all other inputs and asynchronously resets the Q output.



Inputs				Output
R	E	D	C	Q
1	X	X	X	0
0	0	X	X	Previous Q
0	1	0	↘	0
0	1	1	↘	1
Power on State	X	X	X	0

Key

- ↘ Falling Edge
- 1 High logic level
- 0 Low logic level
- X Don't care
- ? Unknown

HDL Usage

This register is inferred during synthesis and can also be explicitly instantiated.

Default Signal Values

The iCEcube2 software assigns the following signal values to unconnected input ports:

Input D: Logic '0'
 Input C: Logic '0'
 Input R: Logic '0'
 Input E: Logic '1'

Note that explicitly connecting a Logic '1' value to port E will result in a non-optimal implementation, since an extra LUT will be used to generate the Logic '1'. If the user's intention is to keep the FF always enabled, it is recommended that either port E be left unconnected, or the corresponding FF without a Clock Enable port be used.

Verilog Instantiation

```
// SB_DFFNER - D Flip-Flop – Negative Edge Clock, Reset is asynchronously  
// on falling clock edge and Clock Enable.
```

```
SB_DFFNER SB_DFFNER_inst (  
    .Q(Q),           // Registered Output  
    .C(C),           // Clock  
    .E(E),           // Clock Enable  
    .D(D),           // Data  
    .R(R)            // Asynchronously Reset  
);
```

```
// End of SB_DFFNER instantiation
```

VHDL Instantiation

```
-- SB_DFFNER - D Flip-Flop – Negative Edge Clock, Reset is asynchronously  
-- on falling clock edge and Clock Enable.
```

```
SB_DFFNER_inst: SB_DFFNER  
    port map (  
        Q => Q,           -- Registered Output  
        C => C,           -- Clock  
        E => E,           -- Clock Enable  
        D => D,           -- Data  
        R => R            -- Asynchronously Reset  
    );
```

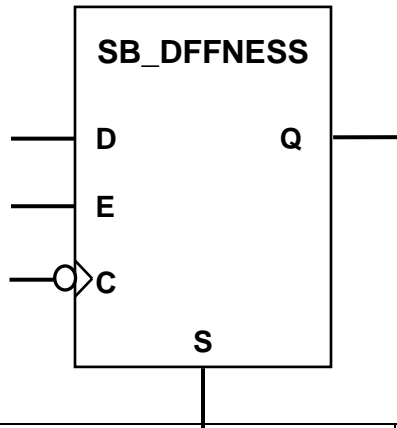
```
-- End of SB_DFFNER instantiation
```

SB_DFFNESS

D Flip-Flop – Negative Edge Clock, Enable and Synchronous Set

Data: D is loaded into the flip-flop when S is low and E is high during the falling clock edge transition.

Set: S and E inputs high, synchronously sets the Q output on the falling clock edge transition.



Inputs				Output
S	E	D	C	Q
1	1	X	↘	1
X	0	X	X	Previous Q
0	1	0	↘	0
0	1	1	↘	1
Power on State	X	X	X	0

Key

- ↘ Falling Edge
- 1 High logic level
- 0 Low logic level
- X Don't care
- ? Unknown

HDL Usage

This register is inferred during synthesis and can also be explicitly instantiated.

Default Signal Values

The iCEcube2 software assigns the following signal values to unconnected input ports:

Input D: Logic '0'
 Input C: Logic '0'
 Input S: Logic '0'
 Input E: Logic '1'

Note that explicitly connecting a Logic '1' value to port E will result in a non-optimal implementation, since an extra LUT will be used to generate the Logic '1'. If the user's intention is to keep the FF always enabled, it is recommended that either port E be left unconnected, or the corresponding FF without a Clock Enable port be used.

Verilog Instantiation

```
// SB_DFFNESS - D Flip-Flop – Negative Edge Clock, Set is synchronous with falling clock edge,  
// and Clock Enable.
```

```
SB_DFFNESS SB_DFFNESS_inst (  
    .Q(Q),           // Registered Output  
    .C(C),           // Clock  
    .E(E),           // Clock Enable  
    .D(D),           // Data  
    .S(S)            // Synchronously Set  
);
```

```
// End of SB_DFFNESS instantiation
```

VHDL Instantiation

```
-- SB_DFFNESS - D Flip-Flop – Negative Edge Clock, Set is synchronous with falling clock edge,  
-- and Clock Enable.
```

```
SB_DFFNESS_inst : SB_DFFNESS  
    port map (  
        Q => Q,           -- Registered Output  
        C => C,           -- Clock  
        E => E,           -- Clock Enable  
        D => D,           -- Data  
        S => S            -- Synchronously Set  
    );
```

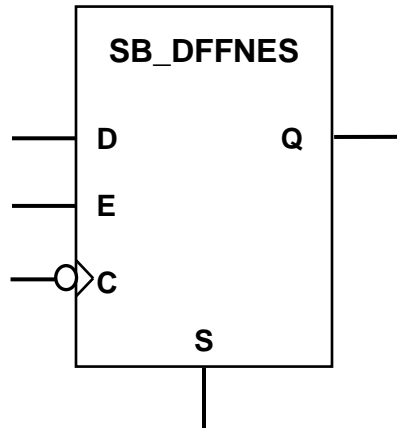
```
-- End of SB_DFFNESS instantiation
```

SB_DFFNES

D Flip-Flop – Negative Edge Clock, Enable and Asynchronous Set

Data: D is loaded into the flip-flop when S is low and E is high during the falling clock edge transition.

Set: S input is active high, and it overrides all other inputs and asynchronously sets the Q output.



Inputs				Output
S	E	D	CLK	Q
1	X	X	X	1
0	0	X	X	Previous Q
0	1	0	↘	0
0	1	1	↘	1
Power on State	X	X	X	0

Key

- ↘ Falling Edge
- 1 High logic level
- 0 Low logic level
- X Don't care
- ? Unknown

HDL Usage

This register is inferred during synthesis and can also be explicitly instantiated.

Default Signal Values

The iCEcube2 software assigns the following signal values to unconnected input ports:

Input D: Logic '0'
Input C: Logic '0'
Input S: Logic '0'
Input E: Logic '1'

Note that explicitly connecting a Logic '1' value to port E will result in a non-optimal implementation, since an extra LUT will be used to generate the Logic '1'. If the user's intention is to keep the FF always enabled, it is recommended that either port E be left unconnected, or the corresponding FF without a Clock Enable port be used.

Verilog Instantiation

```
// SB_DFFNES - D Flip-Flop – Negative Edge Clock, Set is asynchronous on falling clock edge with clock  
// Enable.
```

```
SB_DFFNES    SB_DFFNES_inst (
    .Q(Q),           // Registered Output
    .C(C),           // Clock
    .E(E),           // Clock Enable
    .D(D),           // Data
    .S(S)           // Asynchronously Set
);
```

```
// End of SB_DFFNES instantiation
```

VHDL Instantiation

```
-- SB_DFFNES - D Flip-Flop – Negative Edge Clock, Set is asynchronous  
-- on falling clock edge and Clock Enable.
```

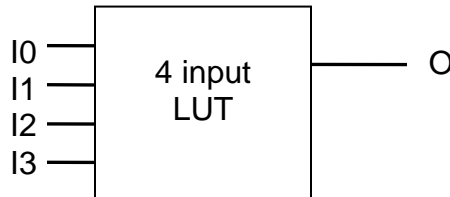
```
SB_DFFNES_inst:    SB_DFFNES
    port map (
        Q => Q,           -- Registered Output
        C => C,           -- Clock
        E => E,           -- Clock Enable
        D => D,           -- Data
        S => S           -- Asynchronously Set
    );
```

```
-- End of SB_DFFNES instantiation
```

Combinational Logic Primitives

SB_LUT4

The LUT unit is a simple ROM 4 input look-up function table.



Initialization values

LUT state initialization parameter LUT_INIT = 16'hxxxx;

Inputs				Output
I3	I2	I1	I0	O
0	0	0	0	LUT_INIT[0]
0	0	0	1	LUT_INIT[1]
0	0	1	0	LUT_INIT[2]
0	0	1	1	LUT_INIT[3]
0	1	0	0	LUT_INIT[4]
0	1	0	1	LUT_INIT[5]
0	1	1	0	LUT_INIT[6]
0	1	1	1	LUT_INIT[7]
1	0	0	0	LUT_INIT[8]
1	0	0	1	LUT_INIT[9]
1	0	1	0	LUT_INIT[10]
1	0	1	1	LUT_INIT[11]
1	1	0	0	LUT_INIT[12]
1	1	0	1	LUT_INIT[13]
1	1	1	0	LUT_INIT[14]
1	1	1	1	LUT_INIT[15]

HDL Usage

This primitive is inferred during synthesis and can also be explicitly instantiated.

Default Signal Values

The iCEcube2 software assigns logic value '0' to unconnected input ports.

Verilog Instantiation

```
// SB_LUT4 : 4-input Look-Up Table

SB_LUT4      SB_LUT4_inst (
    .O (O),           // output
    .I0 (I0),         // data input 0
    .I1 (I1),         // data input 1
    .I2 (I2),         // data input 2
    .I3 (I3),         // data input 3
);
defparam SB_LUT4_inst.LUT_INIT=16'hxxxx;
           //LUT state initialization parameter, 16 bits.

//End of SB_LUT4 instantiation
```

VHDL Instantiation

```
-- SB_LUT4 : 4-input Look-Up Table

SB_LUT4_inst: SB_LUT4
    generic map(
        LUT_INIT => x"0001"    -- LUT state initialization parameter, 16 bits
    )
    port map (
        I0 => I0,
        I1 => I1,
        I2 => I2,
        I3 => I3,
        O  => O
    );
```

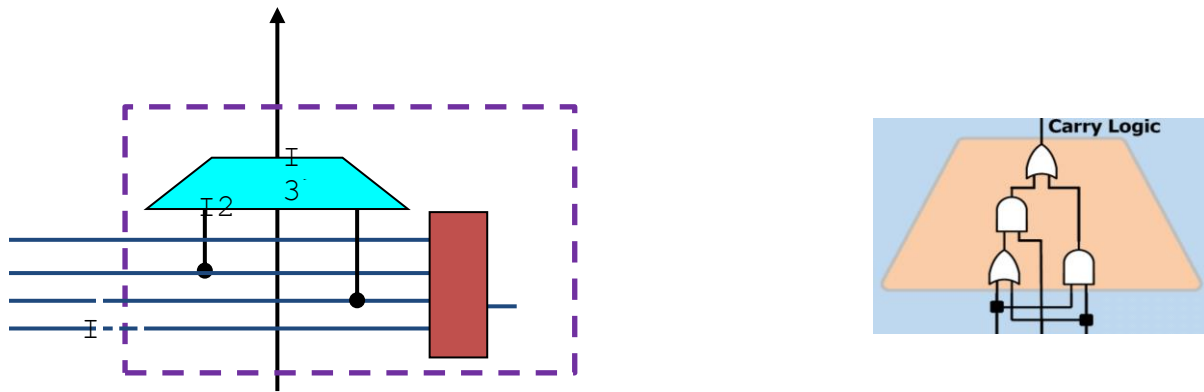

SB_CARRY

Carry Logic

The dedicated Carry Logic within each Logic Cell primarily accelerates and improves the efficiency of arithmetic logic such as adders, accumulators, subtractors, incrementers, decrementers, counters, ALUs, and comparators. The Carry Logic also supports a limited number of wide combinational logic functions.

The figure below illustrates the Carry Logic structure within a Logic Cell. The Carry Logic shares inputs with the associated Look-Up Table (LUT). The I1 and I2 inputs of the LUT directly feed the Carry Logic. The carry input from the previous adjacent Logic Cell optionally provides an alternate input to the LUT4 function, supplanting the I3 input.

Carry Logic Structure within a Logic Cell



Inputs			Output
I0	I1	CI	CO
0	0	X	0
0	X	0	0
X	1	1	1
X	0	0	0
1	X	1	1
1	1	X	1

HDL Usage

This primitive is inferred during synthesis and can also be explicitly instantiated.

Default Signal Values

The iCEcube2 software assigns logic value '0' to unconnected input ports.

Verilog Instantiation

```
SB_CARRY my_carry_inst (  
    .CO(CO),  
    .I0(I0),  
    .I1(I1),  
    .CI(CI));
```

VHDL Instantiation

```
my_carry_inst : SB_CARRY  
    port map (  
        CO => CO,  
        CI => CI,  
        I0 => I0,  
        I1 => I1  
    );
```

Block RAM Primitives

The iCE architecture supports dual ported synchronous RAM, with 4096 bits, and a fixed 16 bit data-width. The block is arranged as 256 x 16 bit words. The RAM block may be configured to be used as a RAM with data between 1-16 bits.

iCE40 Block RAM

Each iCE40 device includes multiple high-speed synchronous RAM blocks, each 4Kbit in size. The RAM block has separate write and read ports, each with independent control signals. Each RAM block can be configured into a RAM block of size 256x16, 512x8, 1024x4 or 2048x2. The data contents of the RAM block are optionally pre-loaded during ICE device configuration.

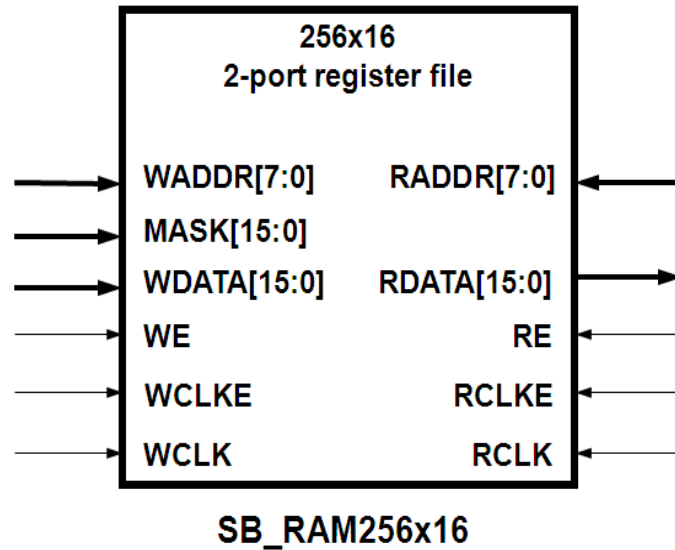
The following table lists the supported dual port synchronous RAM configurations, each of 4Kbits in size. The RAM blocks can be directly instantiated in the top module and taken through iCube2 flow.

Block RAM Configuration	Block RAM Size	WADDR Port Size (Bits)	WDATA Port Size (Bits)	RADDR Port Size (Bits)	RDATA Port Size (Bits)	MASK Port Size (Bits)
SB_RAM256x16 SB_RAM256x16NR SB_RAM256x16NW SB_RAM256x16NRNW	256x16 (4K)	8 [7:0]	16 [15:0]	8 [7:0]	16 [15:0]	16 [15:0]
SB_RAM512x8 SB_RAM512x8NR SB_RAM512x8NW SB_RAM512x8NRNW	512x8 (4K)	9 [8:0]	8 [7:0]	8 [8:0]	8 [7:0]	No Mask Port
SB_RAM1024x4 SB_RAM1024x4NR SB_RAM1024x4NW SB_RAM1024x4NRNW	1024x4 (4K)	10 [9:0]	4 [3:0]	10 [9:0]	4 [3:0]	No Mask Port
SB_RAM2048x2 SB_RAM2048x2NR SB_RAM2048x2NW SB_RAM2048x2NRNW	2048x2 (4K)	11 [10:0]	2 [1:0]	10 [9:0]	2 [1:0]	No Mask Port

The Lattice Technologies convention for the iCE40 RAM primitives with negedge Read or Write clock is that the base primitive name is post fixed with N and R or W according to the clock that is affected, as displayed in the table below for 256x16 RAM block configuration.

RAM Primitive Name	Description
SB_RAM256x16	Posedge Read clock, Posedge Write clock
SB_RAM4256x16NR	Negedge Read clock, Posedge Write clock
SB_RAM256x16NW	Posedge Read clock, Negedge Write clock
SB_RAM256x16NRNW	Negedge Read clock, Negedge Write clock

SB_RAM256x16



The following modules are the complete list of SB_RAM256x16 based primitives

SB_RAM256x16

```
SB_RAM256x16 //Posedge clock RCLK WCLK  
(RDATA, RCLK, RCLKE, RE, RADDR, WCLK, WCLKE, WE, WADDR, MASK, WDATA);
```

Verilog Instantiation:

```
SB_RAM256x16 ram256x16_inst (  
    .RDATA(RDATA_c[15:0]),  
    .RADDR(RADDR_c[7:0]),  
    .RCLK(RCLK_c),  
    .RCLKE(RCLKE_c),  
    .RE(RE_c),  
    .WADDR(WADDR_c[7:0]),  
    .WCLK(WCLK_c),  
    .WCLKE(WCLKE_c),  
    .WDATA(WDATA_c[15:0]),  
    .WE(WE_c),  
    .MASK(MASK_c[15:0])  
);  
defparam ram256x16_inst.INIT_0 =  
256'h0000000000000000000000000000000000000000000000000000000000000000;  
defparam ram256x16_inst.INIT_1 =  
256'h0000000000000000000000000000000000000000000000000000000000000000;  
defparam ram256x16_inst.INIT_2 =  
256'h0000000000000000000000000000000000000000000000000000000000000000;  
defparam ram256x16_inst.INIT_3 =  
256'h0000000000000000000000000000000000000000000000000000000000000000;  
defparam ram256x16_inst.INIT_4 =  
256'h0000000000000000000000000000000000000000000000000000000000000000;  
defparam ram256x16_inst.INIT_5 =  
256'h0000000000000000000000000000000000000000000000000000000000000000;
```

```
defparam ram256x16_inst.INIT_6 =
256'h0000000000000000000000000000000000000000000000000000000000000000;
defparam ram256x16_inst.INIT_7 =
256'h0000000000000000000000000000000000000000000000000000000000000000;
defparam ram256x16_inst.INIT_8 =
256'h0000000000000000000000000000000000000000000000000000000000000000;
defparam ram256x16_inst.INIT_9 =
256'h0000000000000000000000000000000000000000000000000000000000000000;
defparam ram256x16_inst.INIT_A =
256'h0000000000000000000000000000000000000000000000000000000000000000;
defparam ram256x16_inst.INIT_B =
256'h0000000000000000000000000000000000000000000000000000000000000000;
defparam ram256x16_inst.INIT_C =
256'h0000000000000000000000000000000000000000000000000000000000000000;
defparam ram256x16_inst.INIT_D =
256'h0000000000000000000000000000000000000000000000000000000000000000;
defparam ram256x16_inst.INIT_E =
256'h0000000000000000000000000000000000000000000000000000000000000000;
defparam ram256x16_inst.INIT_F =
256'h0000000000000000000000000000000000000000000000000000000000000000;
```

VHDL Instantiation:

```
ram256x16_inst : SB_RAM256x16
generic map (
  INIT_0 =>
X"0000000000000000000000000000000000000000000000000000000000000000",
  INIT_1 =>
X"0000000000000000000000000000000000000000000000000000000000000000",
  INIT_2 =>
X"0000000000000000000000000000000000000000000000000000000000000000",
  INIT_3 =>
X"0000000000000000000000000000000000000000000000000000000000000000",
  INIT_4 =>
X"0000000000000000000000000000000000000000000000000000000000000000",
  INIT_5 =>
X"0000000000000000000000000000000000000000000000000000000000000000",
  INIT_6 =>
X"0000000000000000000000000000000000000000000000000000000000000000",
  INIT_7 =>
X"0000000000000000000000000000000000000000000000000000000000000000",
  INIT_8 =>
X"0000000000000000000000000000000000000000000000000000000000000000",
  INIT_9 =>
X"0000000000000000000000000000000000000000000000000000000000000000",
  INIT_A =>
X"0000000000000000000000000000000000000000000000000000000000000000",
  INIT_B =>
X"0000000000000000000000000000000000000000000000000000000000000000",
  INIT_C =>
X"0000000000000000000000000000000000000000000000000000000000000000",
  INIT_D =>
X"0000000000000000000000000000000000000000000000000000000000000000",
  INIT_E =>
X"0000000000000000000000000000000000000000000000000000000000000000",
  INIT_F => X"0000000000000000000000000000000000000000000000000000000000000000"
)
port map (
  RDATA => RDATA_C,
  RADDR => RADDR_C,
  RCLK => RCLK_C,
  RCLKE => RCLKE_C,
  RE => RE_C,
```


VHDL Instantiation:

```
ram256x16nr_inst : SB_RAM256x16NR
generic map (
  INIT_0 =>
X"0000000000000000000000000000000000000000000000000000000000000000",
  INIT_1 =>
X"00000000000000000000000000000000000000000000000000000000000000",
  INIT_2 =>
X"00000000000000000000000000000000000000000000000000000000000000",
  INIT_3 =>
X"00000000000000000000000000000000000000000000000000000000000000",
  INIT_4 =>
X"00000000000000000000000000000000000000000000000000000000000000",
  INIT_5 =>
X"00000000000000000000000000000000000000000000000000000000000000",
  INIT_6 =>
X"00000000000000000000000000000000000000000000000000000000000000",
  INIT_7 =>
X"00000000000000000000000000000000000000000000000000000000000000",
  INIT_8 =>
X"00000000000000000000000000000000000000000000000000000000000000",
  INIT_9 =>
X"00000000000000000000000000000000000000000000000000000000000000",
  INIT_A =>
X"00000000000000000000000000000000000000000000000000000000000000",
  INIT_B =>
X"00000000000000000000000000000000000000000000000000000000000000",
  INIT_C =>
X"00000000000000000000000000000000000000000000000000000000000000",
  INIT_D =>
X"00000000000000000000000000000000000000000000000000000000000000",
  INIT_E =>
X"00000000000000000000000000000000000000000000000000000000000000",
  INIT_F => X"00000000000000000000000000000000000000000000000000000000000000"
)
port map (
  RDATA => RDATA_C,
  RADDR => RADDR_C,
  RCLKN => RCLKN_C,
  RCLKE => RCLKE_C,
  RE => RE_C,
  WADDR => WADDR_C,
  WCLK=> WCLK_C,
  WCLKE => WCLKE_C,
  WDATA => WDATA_C,
  MASK => MASK_C,
  WE => WE_C
);
```

SB_RAM256x16NW

SB_RAM256x16NW // Negative edged Write Clock – i.e. WCLKN
(RDATA, RCLK, RCLKE, RE, RADDR, WCLKN, WCLKE, WE, WADDR, MASK, WDATA);

Verilog Instantiation:

```
SB_RAM256x16NW ram256x16nw_inst (
    .RDATA(RDATA_c[15:0]),
    .RADDR(RADDR_c[7:0]),
    .RCLK(RCLK_c),
    .RCLKE(RCLKE_c),
    .RE(RE_c),
    .WADDR(WADDR_c[7:0]),
    .WCLKN(WCLKN_c),
    .WCLKE(WCLKE_c),
    .WDATA(WDATA_c[15:0]),
    .WE(WE_c),
    .MASK(MASK_c[15:0])
);
defparam ram256x16nw_inst.INIT_0 =
256'h0000000000000000000000000000000000000000000000000000000000000000;
defparam ram256x16nw_inst.INIT_1 =
256'h00000000000000000000000000000000000000000000000000000000000000;
defparam ram256x16nw_inst.INIT_2 =
256'h00000000000000000000000000000000000000000000000000000000000000;
defparam ram256x16nw_inst.INIT_3 =
256'h00000000000000000000000000000000000000000000000000000000000000;
defparam ram256x16nw_inst.INIT_4 =
256'h00000000000000000000000000000000000000000000000000000000000000;
defparam ram256x16nw_inst.INIT_5 =
256'h00000000000000000000000000000000000000000000000000000000000000;
defparam ram256x16nw_inst.INIT_6 =
256'h00000000000000000000000000000000000000000000000000000000000000;
defparam ram256x16nw_inst.INIT_7 =
256'h00000000000000000000000000000000000000000000000000000000000000;
defparam ram256x16nw_inst.INIT_8 =
256'h00000000000000000000000000000000000000000000000000000000000000;
defparam ram256x16nw_inst.INIT_9 =
256'h00000000000000000000000000000000000000000000000000000000000000;
defparam ram256x16nw_inst.INIT_A =
256'h00000000000000000000000000000000000000000000000000000000000000;
defparam ram256x16nw_inst.INIT_B =
256'h00000000000000000000000000000000000000000000000000000000000000;
defparam ram256x16nw_inst.INIT_C =
256'h00000000000000000000000000000000000000000000000000000000000000;
defparam ram256x16nw_inst.INIT_D =
256'h00000000000000000000000000000000000000000000000000000000000000;
defparam ram256x16nw_inst.INIT_E =
256'h00000000000000000000000000000000000000000000000000000000000000;
defparam ram256x16nw_inst.INIT_F =
256'h00000000000000000000000000000000000000000000000000000000000000;
```

VHDL Instantiation:

```
ram256x16nw_inst : SB_RAM256x16NW
generic map (
    INIT_0 =>
    X"00000000000000000000000000000000000000000000000000000000000000",
    INIT_1 =>
    X"00000000000000000000000000000000000000000000000000000000000000",
    INIT_2 =>
    X"00000000000000000000000000000000000000000000000000000000000000",
    INIT_3 =>
    X"00000000000000000000000000000000000000000000000000000000000000",
    INIT_4 =>
    X"00000000000000000000000000000000000000000000000000000000000000",
```



```

INIT_5 =>
X"0000000000000000000000000000000000000000000000000000000000000000",
INIT_6 =>
X"0000000000000000000000000000000000000000000000000000000000000000",
INIT_7 =>
X"0000000000000000000000000000000000000000000000000000000000000000",
INIT_8 =>
X"0000000000000000000000000000000000000000000000000000000000000000",
INIT_9 =>
X"0000000000000000000000000000000000000000000000000000000000000000",
INIT_A =>
X"0000000000000000000000000000000000000000000000000000000000000000",
INIT_B =>
X"0000000000000000000000000000000000000000000000000000000000000000",
INIT_C =>
X"0000000000000000000000000000000000000000000000000000000000000000",
INIT_D =>
X"0000000000000000000000000000000000000000000000000000000000000000",
INIT_E =>
X"0000000000000000000000000000000000000000000000000000000000000000",
INIT_F => X"0000000000000000000000000000000000000000000000000000000000000000"
)
port map (
    RDATA => RDATA_c,
    RADDR => RADDR_c,
    RCLK => RCLK_c,
    RCLKE => RCLKE_c,
    RE => RE_c,
    WADDR => WADDR_c,
    WCLKN=> WCLKN_c,
    WCLKE => WCLKE_c,
    WDATA => WDATA_c,
    MASK => MASK_c,
    WE => WE_c
);

```

SB_RAM256x16NRNW

SB_RAM256x16NRNW // Negative edged Read and Write – i.e. RCLKN WRCKLN
(RDATA, RCLKN, RCLKE, RE, RADDR, WCLKN, WCLKE, WE, WADDR, MASK, WDATA);

Verilog Instantiation:

```

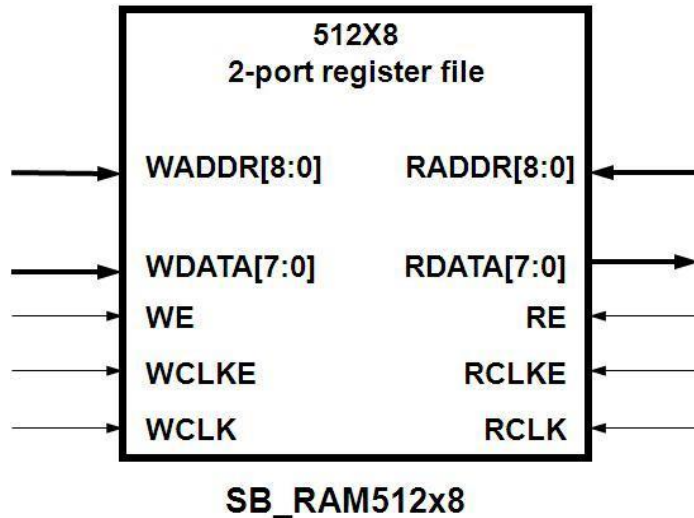
SB_RAM256x16NRNW ram256x16nrnw_inst (
    .RDATA(RDATA_c[15:0]),
    .RADDR(RADDR_c[7:0]),
    .RCLKN(RCLKN_c),
    .RCLKE(RCLKE_c),
    .RE(RE_c),
    .WADDR(WADDR_c[7:0]),
    .WCLKN(WCLKN_c),
    .WCLKE(WCLKE_c),
    .WDATA(WDATA_c[15:0]),
    .WE(WE_c),
    .MASK(MASK_c[15:0])
);
defparam ram256x16nrnw_inst.INIT_0 =
256'h0000000000000000000000000000000000000000000000000000000000000000;
defparam ram256x16nrnw_inst.INIT_1 =
256'h0000000000000000000000000000000000000000000000000000000000000000;

```



```
INIT_F => X"0000000000000000000000000000000000000000000000000000000000000000"
)
port map (
    RDATA => RDATA_C,
    RADDR => RADDR_C,
    RCLKN => RCLKN_C,
    RCLKE => RCLKE_C,
    RE => RE_C,
    WADDR => WADDR_C,
    WCLKN=> WCLKN_C,
    WCLKE => WCLKE_C,
    WDATA => WDATA_C,
    MASK => MASK_C,
    WE => WE_C
);
```

SB_RAM512x8



The following modules are the complete list of SB_RAM512x8 based primitives

SB_RAM512x8

SB_RAM512x8 //Posedge clock RCLK WCLK
(RDATA, RCLK, RCLKE, RE, RADDR, WCLK, WCLKE, WE, WADDR, MASK, WDATA);

Verilog Instantiation:

```
SB_RAM512x8 ram512x8_inst (  
    .RDATA(RDATA_c[7:0]),  
    .RADDR(RADDR_c[8:0]),  
    .RCLK(RCLK_c),  
    .RCLKE(RCLKE_c),  
    .RE(RE_c),  
    .WADDR(WADDR_c[8:0]),  
    .WCLK(WCLK_c),  
    .WCLKE(WCLKE_c),  
    .WDATA(WDATA_c[7:0]),  
    .WE(WE_c)  
);  
  
defparam ram512x8_inst.INIT_0 =  
256'h0000000000000000000000000000000000000000000000000000000000000000;  
defparam ram512x8_inst.INIT_1 =  
256'h0000000000000000000000000000000000000000000000000000000000000000;  
defparam ram512x8_inst.INIT_2 =  
256'h0000000000000000000000000000000000000000000000000000000000000000;  
defparam ram512x8_inst.INIT_3 =  
256'h0000000000000000000000000000000000000000000000000000000000000000;  
defparam ram512x8_inst.INIT_4 =  
256'h0000000000000000000000000000000000000000000000000000000000000000;  
defparam ram512x8_inst.INIT_5 =  
256'h0000000000000000000000000000000000000000000000000000000000000000;
```


VHDL Instantiation:

```
ram512x8nr_inst: SB_RAM512x8NR
generic map (
  INIT_0 =>
X"0000000000000000000000000000000000000000000000000000000000000000",
  INIT_1 =>
X"0000000000000000000000000000000000000000000000000000000000000000",
  INIT_2 =>
X"0000000000000000000000000000000000000000000000000000000000000000",
  INIT_3 =>
X"0000000000000000000000000000000000000000000000000000000000000000",
  INIT_4 =>
X"0000000000000000000000000000000000000000000000000000000000000000",
  INIT_5 =>
X"0000000000000000000000000000000000000000000000000000000000000000",
  INIT_6 =>
X"0000000000000000000000000000000000000000000000000000000000000000",
  INIT_7 =>
X"0000000000000000000000000000000000000000000000000000000000000000",
  INIT_8 =>
X"0000000000000000000000000000000000000000000000000000000000000000",
  INIT_9 =>
X"0000000000000000000000000000000000000000000000000000000000000000",
  INIT_A =>
X"0000000000000000000000000000000000000000000000000000000000000000",
  INIT_B =>
X"0000000000000000000000000000000000000000000000000000000000000000",
  INIT_C =>
X"0000000000000000000000000000000000000000000000000000000000000000",
  INIT_D =>
X"0000000000000000000000000000000000000000000000000000000000000000",
  INIT_E =>
X"0000000000000000000000000000000000000000000000000000000000000000",
  INIT_F => X"0000000000000000000000000000000000000000000000000000000000000000"
)
port map (
  RDATA => RDATA_C,
  RADDR => RADDR_C,
  RCLKN => RCLKN_C,
  RCLKE => RCLKE_C,
  RE => RE_C,
  WADDR => WADDR_C,
  WCLK=> WCLK_C,
  WCLKE => WCLKE_C,
  WDATA => WDATA_C,
  WE => WE_C
);
```

SB_RAM512x8NW

SB_RAM512x8NW // Negative edged Write Clock – i.e. WCLKN
(RDATA, RCLK, RCLKE, RE, RADDR, WCLKN, WCLKE, WE, WADDR, MASK, WDATA);

Verilog Instantiation:

```
SB_RAM512x8NW ram512x8nw_inst (
  .RDATA(RDATA_c[7:0]),
  .RADDR(RADDR_c[8:0]),
```



```

INIT_8 =>
X"0000000000000000000000000000000000000000000000000000000000000000",
INIT_9 =>
X"0000000000000000000000000000000000000000000000000000000000000000",
INIT_A =>
X"0000000000000000000000000000000000000000000000000000000000000000",
INIT_B =>
X"0000000000000000000000000000000000000000000000000000000000000000",
INIT_C =>
X"0000000000000000000000000000000000000000000000000000000000000000",
INIT_D =>
X"0000000000000000000000000000000000000000000000000000000000000000",
INIT_E =>
X"0000000000000000000000000000000000000000000000000000000000000000",
INIT_F => X"0000000000000000000000000000000000000000000000000000000000000000"
)
port map (
    RDATA => RDATA_c,
    RADDR => RADDR_c,
    RCLK => RCLK_c,
    RCLKE => RCLKE_c,
    RE => RE_c,
    WADDR => WADDR_c,
    WCLKN=> WCLKN_c,
    WCLKE => WCLKE_c,
    WDATA => WDATA_c,
    WE => WE_c
);

```

SB_RAM512x8NRNW

SB_RAM512x8NRNW // Negative edged Read and Write – i.e. RCLKN WRCKLN
(RDATA, RCLKN, RCLKE, RE, RADDR, WCLKN, WCLKE, WE, WADDR, MASK, WDATA);
Verilog Instantiation:

```

SB_RAM512x8NRNW ram512x8nrnw_inst (
    .RDATA(RDATA_c[7:0]),
    .RADDR(RADDR_c[8:0]),
    .RCLKN(RCLK_c),
    .RCLKE(RCLKE_c),
    .RE(RE_c),
    .WADDR(WADDR_c[8:0]),
    .WCLKN(WCLK_c),
    .WCLKE(WCLKE_c),
    .WDATA(WDATA_c[7:0]),
    .WE(WE_c)
);

defparam ram512x8nrnw_inst.INIT_0 =
256'h0000000000000000000000000000000000000000000000000000000000000000;
defparam ram512x8nrnw_inst.INIT_1 =
256'h0000000000000000000000000000000000000000000000000000000000000000;
defparam ram512x8nrnw_inst.INIT_2 =
256'h0000000000000000000000000000000000000000000000000000000000000000;
defparam ram512x8nrnw_inst.INIT_3 =
256'h0000000000000000000000000000000000000000000000000000000000000000;
defparam ram512x8nrnw_inst.INIT_4 =
256'h0000000000000000000000000000000000000000000000000000000000000000;

```

```

defparam ram512x8nrnw_inst.INIT_5 =
256'h0000000000000000000000000000000000000000000000000000000000000000;
defparam ram512x8nrnw_inst.INIT_6 =
256'h00000000000000000000000000000000000000000000000000000000000000;
defparam ram512x8nrnw_inst.INIT_7 =
256'h00000000000000000000000000000000000000000000000000000000000000;
defparam ram512x8nrnw_inst.INIT_8 =
256'h00000000000000000000000000000000000000000000000000000000000000;
defparam ram512x8nrnw_inst.INIT_9 =
256'h00000000000000000000000000000000000000000000000000000000000000;
defparam ram512x8nrnw_inst.INIT_A =
256'h00000000000000000000000000000000000000000000000000000000000000;
defparam ram512x8nrnw_inst.INIT_B =
256'h00000000000000000000000000000000000000000000000000000000000000;
defparam ram512x8nrnw_inst.INIT_C =
256'h00000000000000000000000000000000000000000000000000000000000000;
defparam ram512x8nrnw_inst.INIT_D =
256'h00000000000000000000000000000000000000000000000000000000000000;
defparam ram512x8nrnw_inst.INIT_E =
256'h00000000000000000000000000000000000000000000000000000000000000;
defparam ram512x8nrnw_inst.INIT_F =
256'h00000000000000000000000000000000000000000000000000000000000000;

```

VHDL Instantiation:

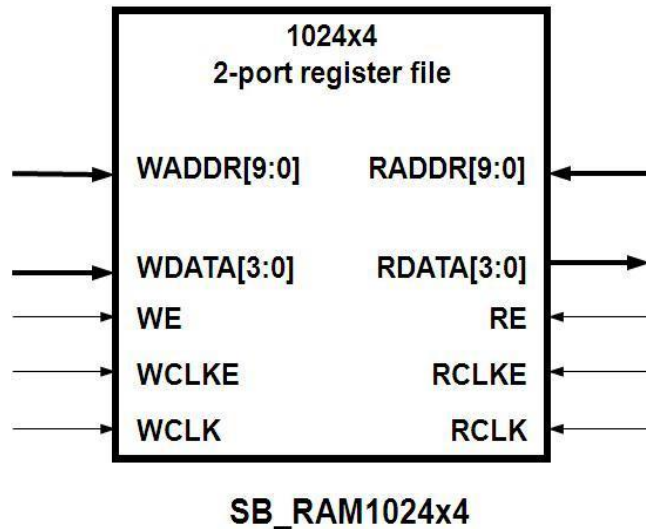
```

ram512x8nrnw_inst: SB_RAM512x8NRNW
generic map (
INIT_0 =>
X"00000000000000000000000000000000000000000000000000000000000000",
INIT_1 =>
X"00000000000000000000000000000000000000000000000000000000000000",
INIT_2 =>
X"00000000000000000000000000000000000000000000000000000000000000",
INIT_3 =>
X"00000000000000000000000000000000000000000000000000000000000000",
INIT_4 =>
X"00000000000000000000000000000000000000000000000000000000000000",
INIT_5 =>
X"00000000000000000000000000000000000000000000000000000000000000",
INIT_6 =>
X"00000000000000000000000000000000000000000000000000000000000000",
INIT_7 =>
X"00000000000000000000000000000000000000000000000000000000000000",
INIT_8 =>
X"00000000000000000000000000000000000000000000000000000000000000",
INIT_9 =>
X"00000000000000000000000000000000000000000000000000000000000000",
INIT_A =>
X"00000000000000000000000000000000000000000000000000000000000000",
INIT_B =>
X"00000000000000000000000000000000000000000000000000000000000000",
INIT_C =>
X"00000000000000000000000000000000000000000000000000000000000000",
INIT_D =>
X"00000000000000000000000000000000000000000000000000000000000000",
INIT_E =>
X"00000000000000000000000000000000000000000000000000000000000000",
INIT_F => X"00000000000000000000000000000000000000000000000000000000000000"
)
port map (
RDATA => RDATA_C,
RADDR => RADDR_C,
RCLKN => RCLKN_C,

```

```
RCLKE => RCLKE_C,  
RE => RE_C,  
WADDR => WADDR_C,  
WCLKN=> WCLKN_C,  
WCLKE => WCLKE_C,  
WDATA => WDATA_C,  
WE => WE_C  
);
```

SB_RAM1024x4



The following modules are the complete list of SB_RAM1024x4 based primitives

SB_RAM1024x4

SB_RAM1024x4 //Posedge clock RCLK WCLK
(RDATA, RCLK, RCLKE, RE, RADDR, WCLK, WCLKE, WE, WADDR, MASK, WDATA);

Verilog Instantiation:

```
SB_RAM1024x4 ram1024x4_inst (
    .RDATA(RDATA_c[3:0]),
    .RADDR(RADDR_c[9:0]),
    .RCLK(RCLK_c),
    .RCLKE(RCLKE_c),
    .RE(RE_c),
    .WADDR(WADDR_c[3:0]),
    .WCLK(WCLK_c),
    .WCLKE(WCLKE_c),
    .WDATA(WDATA_c[9:0]),
    .WE(WE_c)
);
defparam ram1024x4_inst.INIT_0 =
256'h0000000000000000000000000000000000000000000000000000000000000000;
defparam ram1024x4_inst.INIT_1 =
256'h0000000000000000000000000000000000000000000000000000000000000000;
defparam ram1024x4_inst.INIT_2 =
256'h0000000000000000000000000000000000000000000000000000000000000000;
defparam ram1024x4_inst.INIT_3 =
256'h0000000000000000000000000000000000000000000000000000000000000000;
defparam ram1024x4_inst.INIT_4 =
256'h0000000000000000000000000000000000000000000000000000000000000000;
```

```

defparam ram1024x4_inst.INIT_5 =
256'h0000000000000000000000000000000000000000000000000000000000000000;
defparam ram1024x4_inst.INIT_6 =
256'h0000000000000000000000000000000000000000000000000000000000000000;
defparam ram1024x4_inst.INIT_7 =
256'h0000000000000000000000000000000000000000000000000000000000000000;
defparam ram1024x4_inst.INIT_8 =
256'h0000000000000000000000000000000000000000000000000000000000000000;
defparam ram1024x4_inst.INIT_9 =
256'h0000000000000000000000000000000000000000000000000000000000000000;
defparam ram1024x4_inst.INIT_A =
256'h0000000000000000000000000000000000000000000000000000000000000000;
defparam ram1024x4_inst.INIT_B =
256'h0000000000000000000000000000000000000000000000000000000000000000;
defparam ram1024x4_inst.INIT_C =
256'h0000000000000000000000000000000000000000000000000000000000000000;
defparam ram1024x4_inst.INIT_D =
256'h0000000000000000000000000000000000000000000000000000000000000000;
defparam ram1024x4_inst.INIT_E =
256'h0000000000000000000000000000000000000000000000000000000000000000;
defparam ram1024x4_inst.INIT_F =
256'h0000000000000000000000000000000000000000000000000000000000000000;

```

VHDL Instantiation:

```

Ram1024x4_inst: SB_RAM1024x4
generic map (
  INIT_0 =>
X"0000000000000000000000000000000000000000000000000000000000000000",
  INIT_1 =>
X"0000000000000000000000000000000000000000000000000000000000000000",
  INIT_2 =>
X"0000000000000000000000000000000000000000000000000000000000000000",
  INIT_3 =>
X"0000000000000000000000000000000000000000000000000000000000000000",
  INIT_4 =>
X"0000000000000000000000000000000000000000000000000000000000000000",
  INIT_5 =>
X"0000000000000000000000000000000000000000000000000000000000000000",
  INIT_6 =>
X"0000000000000000000000000000000000000000000000000000000000000000",
  INIT_7 =>
X"0000000000000000000000000000000000000000000000000000000000000000",
  INIT_8 =>
X"0000000000000000000000000000000000000000000000000000000000000000",
  INIT_9 =>
X"0000000000000000000000000000000000000000000000000000000000000000",
  INIT_A =>
X"0000000000000000000000000000000000000000000000000000000000000000",
  INIT_B =>
X"0000000000000000000000000000000000000000000000000000000000000000",
  INIT_C =>
X"0000000000000000000000000000000000000000000000000000000000000000",
  INIT_D =>
X"0000000000000000000000000000000000000000000000000000000000000000",
  INIT_E =>
X"0000000000000000000000000000000000000000000000000000000000000000",
  INIT_F => X"0000000000000000000000000000000000000000000000000000000000000000"
)
port map (
  RDATA => RDATA_C,
  RADDR => RADDR_C,
  RCLK => RCLK_C,

```

```

RCLKE => RCLKE_c,
RE => RE_c,
WADDR => WADDR_c,
WCLK=> WCLK_c,
WCLKE => WCLKE_c,
WDATA => WDATA_c,
WE => WE_c
);

```

SB_RAM1024x4NR

SB_RAM1024x4NR // Negative edged Read Clock – i.e. RCLKN
(RDATA, RCLKN, RCLKE, RE, RADDR, WCLK, WCLKE, WE, WADDR, MASK, WDATA);

Verilog Instantiation:

```

SB_RAM1024x4NR ram1024x4nr_inst (
    .RDATA(RDATA_c[3:0]),
    .RADDR(RADDR_c[9:0]),
    .RCLKN(RCLKN_c),
    .RCLKE(RCLKE_c),
    .RE(RE_c),
    .WADDR(WADDR_c[3:0]),
    .WCLK(WCLK_c),
    .WCLKE(WCLKE_c),
    .WDATA(WDATA_c[9:0]),
    .WE(WE_c)
);
defparam ram1024x4nr_inst.INIT_0 =
256'h0000000000000000000000000000000000000000000000000000000000000000;
defparam ram1024x4nr_inst.INIT_1 =
256'h00000000000000000000000000000000000000000000000000000000000000;
defparam ram1024x4nr_inst.INIT_2 =
256'h00000000000000000000000000000000000000000000000000000000000000;
defparam ram1024x4nr_inst.INIT_3 =
256'h00000000000000000000000000000000000000000000000000000000000000;
defparam ram1024x4nr_inst.INIT_4 =
256'h00000000000000000000000000000000000000000000000000000000000000;
defparam ram1024x4nr_inst.INIT_5 =
256'h00000000000000000000000000000000000000000000000000000000000000;
defparam ram1024x4nr_inst.INIT_6 =
256'h00000000000000000000000000000000000000000000000000000000000000;
defparam ram1024x4nr_inst.INIT_7 =
256'h00000000000000000000000000000000000000000000000000000000000000;
defparam ram1024x4nr_inst.INIT_8 =
256'h00000000000000000000000000000000000000000000000000000000000000;
defparam ram1024x4nr_inst.INIT_9 =
256'h00000000000000000000000000000000000000000000000000000000000000;
defparam ram1024x4nr_inst.INIT_A =
256'h00000000000000000000000000000000000000000000000000000000000000;
defparam ram1024x4nr_inst.INIT_B =
256'h00000000000000000000000000000000000000000000000000000000000000;
defparam ram1024x4nr_inst.INIT_C =
256'h00000000000000000000000000000000000000000000000000000000000000;
defparam ram1024x4nr_inst.INIT_D =
256'h00000000000000000000000000000000000000000000000000000000000000;
defparam ram1024x4nr_inst.INIT_E =
256'h00000000000000000000000000000000000000000000000000000000000000;
defparam ram1024x4nr_inst.INIT_F =
256'h00000000000000000000000000000000000000000000000000000000000000;

```

VHDL Instantiation:

```
ram1024x4nr_inst: SB_RAM1024x4NR
generic map (
  INIT_0 =>
X"0000000000000000000000000000000000000000000000000000000000000000",
  INIT_1 =>
X"00000000000000000000000000000000000000000000000000000000000000",
  INIT_2 =>
X"00000000000000000000000000000000000000000000000000000000000000",
  INIT_3 =>
X"00000000000000000000000000000000000000000000000000000000000000",
  INIT_4 =>
X"00000000000000000000000000000000000000000000000000000000000000",
  INIT_5 =>
X"00000000000000000000000000000000000000000000000000000000000000",
  INIT_6 =>
X"00000000000000000000000000000000000000000000000000000000000000",
  INIT_7 =>
X"00000000000000000000000000000000000000000000000000000000000000",
  INIT_8 =>
X"00000000000000000000000000000000000000000000000000000000000000",
  INIT_9 =>
X"00000000000000000000000000000000000000000000000000000000000000",
  INIT_A =>
X"00000000000000000000000000000000000000000000000000000000000000",
  INIT_B =>
X"00000000000000000000000000000000000000000000000000000000000000",
  INIT_C =>
X"00000000000000000000000000000000000000000000000000000000000000",
  INIT_D =>
X"00000000000000000000000000000000000000000000000000000000000000",
  INIT_E =>
X"00000000000000000000000000000000000000000000000000000000000000",
  INIT_F => X"00000000000000000000000000000000000000000000000000000000000000"
)
port map (
  RDATA => RDATA_C,
  RADDR => RADDR_C,
  RCLKN => RCLKN_C,
  RCLKE => RCLKE_C,
  RE => RE_C,
  WADDR => WADDR_C,
  WCLK=> WCLK_C,
  WCLKE => WCLKE_C,
  WDATA => WDATA_C,
  WE => WE_C
);
```

SB_RAM1024x4NW

SB_RAM1024x4NW // Negative edged Write Clock – i.e. WCLKN
(RDATA, RCLK, RCLKE, RE, RADDR, WCLKN, WCLKE, WE, WADDR, MASK, WDATA);

Verilog Instantiation:

```

SB_RAM1024x4NW  ram1024x4nw_inst (
    .RDATA(RDATA_c[3:0]),
    .RADDR(RADDR_c[9:0]),
    .RCLK(RCLK_c),
    .RCLKE(RCLKE_c),
    .RE(RE_c),
    .WADDR(WADDR_c[3:0]),
    .WCLKN(WCLKN_c),
    .WCLKE(WCLKE_c),
    .WDATA(WDATA_c[9:0]),
    .WE(WE_c)
);
defparam ram1024x4_inst.INIT_0 =
256'h0000000000000000000000000000000000000000000000000000000000000000;
defparam ram1024x4_inst.INIT_1 =
256'h00000000000000000000000000000000000000000000000000000000000000;
defparam ram1024x4_inst.INIT_2 =
256'h00000000000000000000000000000000000000000000000000000000000000;
defparam ram1024x4_inst.INIT_3 =
256'h00000000000000000000000000000000000000000000000000000000000000;
defparam ram1024x4_inst.INIT_4 =
256'h00000000000000000000000000000000000000000000000000000000000000;
defparam ram1024x4_inst.INIT_5 =
256'h00000000000000000000000000000000000000000000000000000000000000;
defparam ram1024x4_inst.INIT_6 =
256'h00000000000000000000000000000000000000000000000000000000000000;
defparam ram1024x4_inst.INIT_7 =
256'h00000000000000000000000000000000000000000000000000000000000000;
defparam ram1024x4_inst.INIT_8 =
256'h00000000000000000000000000000000000000000000000000000000000000;
defparam ram1024x4_inst.INIT_9 =
256'h00000000000000000000000000000000000000000000000000000000000000;
defparam ram1024x4_inst.INIT_A =
256'h00000000000000000000000000000000000000000000000000000000000000;
defparam ram1024x4_inst.INIT_B =
256'h00000000000000000000000000000000000000000000000000000000000000;
defparam ram1024x4_inst.INIT_C =
256'h00000000000000000000000000000000000000000000000000000000000000;
defparam ram1024x4_inst.INIT_D =
256'h00000000000000000000000000000000000000000000000000000000000000;
defparam ram1024x4_inst.INIT_E =
256'h00000000000000000000000000000000000000000000000000000000000000;
defparam ram1024x4_inst.INIT_F =
256'h00000000000000000000000000000000000000000000000000000000000000;

```

VHDL Instantiation:

```

ram1024x4nw_inst : SB_RAM1024x4NW
generic map (
    INIT_0 =>
    X"000000000000000000000000000000000000000000000000",
    INIT_1 =>
    X"000000000000000000000000000000000000000000000000",
    INIT_2 =>
    X"000000000000000000000000000000000000000000000000",
    INIT_3 =>
    X"000000000000000000000000000000000000000000000000",
    INIT_4 =>
    X"000000000000000000000000000000000000000000000000",

```



```

INIT_5 =>
X"0000000000000000000000000000000000000000000000000000000000000000",
INIT_6 =>
X"0000000000000000000000000000000000000000000000000000000000000000",
INIT_7 =>
X"0000000000000000000000000000000000000000000000000000000000000000",
INIT_8 =>
X"0000000000000000000000000000000000000000000000000000000000000000",
INIT_9 =>
X"0000000000000000000000000000000000000000000000000000000000000000",
INIT_A =>
X"0000000000000000000000000000000000000000000000000000000000000000",
INIT_B =>
X"0000000000000000000000000000000000000000000000000000000000000000",
INIT_C =>
X"0000000000000000000000000000000000000000000000000000000000000000",
INIT_D =>
X"0000000000000000000000000000000000000000000000000000000000000000",
INIT_E =>
X"0000000000000000000000000000000000000000000000000000000000000000",
INIT_F => X"0000000000000000000000000000000000000000000000000000000000000000"
)
port map (
    RDATA => RDATA_c,
    RADDR => RADDR_c,
    RCLK => RCLK_c,
    RCLKE => RCLKE_c,
    RE => RE_c,
    WADDR => WADDR_c,
    WCLKN=> WCLKN_c,
    WCLKE => WCLKE_c,
    WDATA => WDATA_c,
    WE => WE_c
);

```

SB_RAM1024x4NRNW

SB_RAM1024x4NRNW // Negative edged Read and Write – i.e. RCLKN WRCKLN
(RDATA, RCLKN, RCLKE, RE, RADDR, WCLKN, WCLKE, WE, WADDR, MASK, WDATA);

Verilog Instantiation:

```

SB_RAM1024x4NRNW ram1024x4nrnw_inst (
    .RDATA(RDATA_c[3:0]),
    .RADDR(RADDR_c[9:0]),
    .RCLKN(RCLK_c),
    .RCLKE(RCLKE_c),
    .RE(RE_c),
    .WADDR(WADDR_c[3:0]),
    .WCLKN(WCLK_c),
    .WCLKE(WCLKE_c),
    .WDATA(WDATA_c[9:0]),
    .WE(WE_c)
);
defparam ram1024x4nrnw_inst.INIT_0 =
256'h0000000000000000000000000000000000000000000000000000000000000000;
defparam ram1024x4nrnw_inst.INIT_1 =
256'h0000000000000000000000000000000000000000000000000000000000000000;
defparam ram1024x4nrnw_inst.INIT_2 =
256'h0000000000000000000000000000000000000000000000000000000000000000;

```

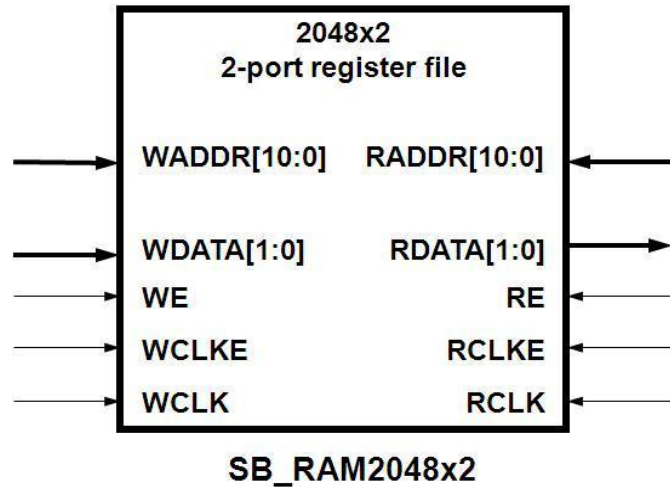
```
defparam ram1024x4nrnw_inst.INIT_3 =
256'h0000000000000000000000000000000000000000000000000000000000000000;
defparam ram1024x4nrnw_inst.INIT_4 =
256'h0000000000000000000000000000000000000000000000000000000000000000;
defparam ram1024x4nrnw_inst.INIT_5 =
256'h0000000000000000000000000000000000000000000000000000000000000000;
defparam ram1024x4nrnw_inst.INIT_6 =
256'h0000000000000000000000000000000000000000000000000000000000000000;
defparam ram1024x4nrnw_inst.INIT_7 =
256'h0000000000000000000000000000000000000000000000000000000000000000;
defparam ram1024x4nrnw_inst.INIT_8 =
256'h0000000000000000000000000000000000000000000000000000000000000000;
defparam ram1024x4nrnw_inst.INIT_9 =
256'h0000000000000000000000000000000000000000000000000000000000000000;
defparam ram1024x4nrnw_inst.INIT_A =
256'h0000000000000000000000000000000000000000000000000000000000000000;
defparam ram1024x4nrnw_inst.INIT_B =
256'h0000000000000000000000000000000000000000000000000000000000000000;
defparam ram1024x4nrnw_inst.INIT_C =
256'h0000000000000000000000000000000000000000000000000000000000000000;
defparam ram1024x4nrnw_inst.INIT_D =
256'h0000000000000000000000000000000000000000000000000000000000000000;
defparam ram1024x4nrnw_inst.INIT_E =
256'h0000000000000000000000000000000000000000000000000000000000000000;
defparam ram1024x4nrnw_inst.INIT_F =
256'h0000000000000000000000000000000000000000000000000000000000000000;
```

VHDL Instantiation:

```
ram1024x4nrnw_inst : SB_RAM1024x4NRNW
generic map (
INIT_0 =>
X"0000000000000000000000000000000000000000000000000000000000000000",
INIT_1 =>
X"0000000000000000000000000000000000000000000000000000000000000000",
INIT_2 =>
X"0000000000000000000000000000000000000000000000000000000000000000",
INIT_3 =>
X"0000000000000000000000000000000000000000000000000000000000000000",
INIT_4 =>
X"0000000000000000000000000000000000000000000000000000000000000000",
INIT_5 =>
X"0000000000000000000000000000000000000000000000000000000000000000",
INIT_6 =>
X"0000000000000000000000000000000000000000000000000000000000000000",
INIT_7 =>
X"0000000000000000000000000000000000000000000000000000000000000000",
INIT_8 =>
X"0000000000000000000000000000000000000000000000000000000000000000",
INIT_9 =>
X"0000000000000000000000000000000000000000000000000000000000000000",
INIT_A =>
X"0000000000000000000000000000000000000000000000000000000000000000",
INIT_B =>
X"0000000000000000000000000000000000000000000000000000000000000000",
INIT_C =>
X"0000000000000000000000000000000000000000000000000000000000000000",
INIT_D =>
X"0000000000000000000000000000000000000000000000000000000000000000",
INIT_E =>
X"0000000000000000000000000000000000000000000000000000000000000000",
INIT_F => X"0000000000000000000000000000000000000000000000000000000000000000"
)
```

```
port map (  
  RDATA => RDATA_C,  
  RADDR => RADDR_C,  
  RCLKN => RCLKN_C,  
  RCLKE => RCLKE_C,  
  RE => RE_C,  
  WADDR => WADDR_C,  
  WCLKN=> WCLKN_C,  
  WCLKE => WCLKE_C,  
  WDATA => WDATA_C,  
  WE => WE_C  
);
```

SB_RAM2048x2



The following modules are the complete list of SB_RAM2048x2 based primitives

SB_RAM2048x2

SB_RAM2048x2 //Posedge clock RCLK WCLK
(RDATA, RCLK, RCLKE, RE, RADDR, WCLK, WCLKE, WE, WADDR, MASK, WDATA);

Verilog Instantiation:

```
SB_RAM2048x2 ram2048x2_inst (  
    .RDATA(RDATA_c[1:0]),  
    .RADDR(RADDR_c[10:0]),  
    .RCLK(RCLK_c),  
    .RCLKE(RCLKE_c),  
    .RE(RE_c),  
    .WADDR(WADDR_c[10:0]),  
    .WCLK(WCLK_c),  
    .WCLKE(WCLKE_c),  
    .WDATA(WDATA_c[1:0]),  
    .WE(WE_c)  
);  
defparam ram2048x2_inst.INIT_0 =  
256'h0000000000000000000000000000000000000000000000000000000000000000;  
defparam ram2048x2_inst .INIT_1 =  
256'h00000000000000000000000000000000000000000000000000000000000000;  
defparam ram2048x2_inst .INIT_2 =  
256'h00000000000000000000000000000000000000000000000000000000000000;  
defparam ram2048x2_inst .INIT_3 =  
256'h00000000000000000000000000000000000000000000000000000000000000;  
defparam ram2048x2_inst .INIT_4 =  
256'h00000000000000000000000000000000000000000000000000000000000000;  
defparam ram2048x2_inst .INIT_5 =  
256'h00000000000000000000000000000000000000000000000000000000000000;  
defparam ram2048x2_inst .INIT_6 =  
256'h00000000000000000000000000000000000000000000000000000000000000;
```

```

defparam ram2048x2_inst .INIT_7 =
256'h0000000000000000000000000000000000000000000000000000000000000000;
defparam ram2048x2_inst .INIT_8 =
256'h0000000000000000000000000000000000000000000000000000000000000000;
defparam ram2048x2_inst .INIT_9 =
256'h0000000000000000000000000000000000000000000000000000000000000000;
defparam ram2048x2_inst .INIT_A =
256'h0000000000000000000000000000000000000000000000000000000000000000;
defparam ram2048x2_inst .INIT_B =
256'h0000000000000000000000000000000000000000000000000000000000000000;
defparam ram2048x2_inst .INIT_C =
256'h0000000000000000000000000000000000000000000000000000000000000000;
defparam ram2048x2_inst .INIT_D =
256'h0000000000000000000000000000000000000000000000000000000000000000;
defparam ram2048x2_inst .INIT_E =
256'h0000000000000000000000000000000000000000000000000000000000000000;
defparam ram2048x2_inst .INIT_F =
256'h0000000000000000000000000000000000000000000000000000000000000000;

```

VHDL Instantiation:

```

Ram2048x2_inst : SB_RAM2048x2
generic map (
INIT_0 =>
X"0000000000000000000000000000000000000000000000000000000000000000",
INIT_1 =>
X"0000000000000000000000000000000000000000000000000000000000000000",
INIT_2 =>
X"0000000000000000000000000000000000000000000000000000000000000000",
INIT_3 =>
X"0000000000000000000000000000000000000000000000000000000000000000",
INIT_4 =>
X"0000000000000000000000000000000000000000000000000000000000000000",
INIT_5 =>
X"0000000000000000000000000000000000000000000000000000000000000000",
INIT_6 =>
X"0000000000000000000000000000000000000000000000000000000000000000",
INIT_7 =>
X"0000000000000000000000000000000000000000000000000000000000000000",
INIT_8 =>
X"0000000000000000000000000000000000000000000000000000000000000000",
INIT_9 =>
X"0000000000000000000000000000000000000000000000000000000000000000",
INIT_A =>
X"0000000000000000000000000000000000000000000000000000000000000000",
INIT_B =>
X"0000000000000000000000000000000000000000000000000000000000000000",
INIT_C =>
X"0000000000000000000000000000000000000000000000000000000000000000",
INIT_D =>
X"0000000000000000000000000000000000000000000000000000000000000000",
INIT_E =>
X"0000000000000000000000000000000000000000000000000000000000000000",
INIT_F => X"0000000000000000000000000000000000000000000000000000000000000000"
)
port map (
RDATA => RDATA_c,
RADDR => RADDR_c,
RCLK => RCLK_c,
RCLKE => RCLKE_c,
RE => RE_c,
WADDR => WADDR_c,
WCLK=> WCLK_c,
WCLKE => WCLKE_c,

```

```
WDATA => WDATA_C,  
WE => WE_C  
);
```

SB_RAM2048x2NR

SB_RAM2048x2NR // Negative edged Read Clock – i.e. RCLKN
(RDATA, RCLKN, RCLKE, RE, RADDR, WCLK, WCLKE, WE, WADDR, MASK, WDATA);

```
SB_RAM2048x2NR ram2048x2nr_inst (  
  .RDATA(RDATA_C[1:0]),  
  .RADDR(RADDR_C[10:0]),  
  .RCLKN(RCLKN_C),  
  .RCLKE(RCLKE_C),  
  .RE(RE_C),  
  .WADDR(WADDR_C[10:0]),  
  .WCLK(WCLK_C),  
  .WCLKE(WCLKE_C),  
  .WDATA(WDATA_C[1:0]),  
  .WE(WE_C)  
);  
defparam ram2048x2nr_inst.INIT_0 =  
256'h000000000000000000000000000000000000000000000000000000000000000000;  
defparam ram2048x2nr_inst .INIT_1 =  
256'h000000000000000000000000000000000000000000000000000000000000000000;  
defparam ram2048x2nr_inst .INIT_2 =  
256'h000000000000000000000000000000000000000000000000000000000000000000;  
defparam ram2048x2nr_inst .INIT_3 =  
256'h000000000000000000000000000000000000000000000000000000000000000000;  
defparam ram2048x2nr_inst .INIT_4 =  
256'h000000000000000000000000000000000000000000000000000000000000000000;  
defparam ram2048x2nr_inst .INIT_5 =  
256'h000000000000000000000000000000000000000000000000000000000000000000;  
defparam ram2048x2nr_inst .INIT_6 =  
256'h000000000000000000000000000000000000000000000000000000000000000000;  
defparam ram2048x2nr_inst .INIT_7 =  
256'h000000000000000000000000000000000000000000000000000000000000000000;  
defparam ram2048x2nr_inst .INIT_8 =  
256'h000000000000000000000000000000000000000000000000000000000000000000;  
defparam ram2048x2nr_inst .INIT_9 =  
256'h000000000000000000000000000000000000000000000000000000000000000000;  
defparam ram2048x2nr_inst .INIT_A =  
256'h000000000000000000000000000000000000000000000000000000000000000000;  
defparam ram2048x2nr_inst .INIT_B =  
256'h000000000000000000000000000000000000000000000000000000000000000000;  
defparam ram2048x2nr_inst .INIT_C =  
256'h000000000000000000000000000000000000000000000000000000000000000000;  
defparam ram2048x2nr_inst .INIT_D =  
256'h000000000000000000000000000000000000000000000000000000000000000000;  
defparam ram2048x2nr_inst .INIT_E =  
256'h000000000000000000000000000000000000000000000000000000000000000000;  
defparam ram2048x2nr_inst .INIT_F =  
256'h000000000000000000000000000000000000000000000000000000000000000000;
```

VHDL Instantiation:

```
ram2048x2nr_inst : SB_RAM2048x2NR  
  generic map (  
    INIT_0 =>  
    x"000000000000000000000000000000000000000000000000000000000000000000",
```

```

INIT_1 =>
X"0000000000000000000000000000000000000000000000000000000000000000",
INIT_2 =>
X"0000000000000000000000000000000000000000000000000000000000000000",
INIT_3 =>
X"0000000000000000000000000000000000000000000000000000000000000000",
INIT_4 =>
X"0000000000000000000000000000000000000000000000000000000000000000",
INIT_5 =>
X"0000000000000000000000000000000000000000000000000000000000000000",
INIT_6 =>
X"0000000000000000000000000000000000000000000000000000000000000000",
INIT_7 =>
X"0000000000000000000000000000000000000000000000000000000000000000",
INIT_8 =>
X"0000000000000000000000000000000000000000000000000000000000000000",
INIT_9 =>
X"0000000000000000000000000000000000000000000000000000000000000000",
INIT_A =>
X"0000000000000000000000000000000000000000000000000000000000000000",
INIT_B =>
X"0000000000000000000000000000000000000000000000000000000000000000",
INIT_C =>
X"0000000000000000000000000000000000000000000000000000000000000000",
INIT_D =>
X"0000000000000000000000000000000000000000000000000000000000000000",
INIT_E =>
X"0000000000000000000000000000000000000000000000000000000000000000",
INIT_F => X"0000000000000000000000000000000000000000000000000000000000000000"
)
port map (
    RDATA => RDATA_c,
    RADDR => RADDR_c,
    RCLK => RCLK_c,
    RCLKE => RCLKE_c,
    RE => RE_c,
    WADDR => WADDR_c,
    WCLK => WCLK_c,
    WCLKE => WCLKE_c,
    WDATA => WDATA_c,
    WE => WE_c
);

```

SB_RAM2048x2NW

SB_RAM2048x2NW // Negative edged Write Clock – i.e. WCLKN
(RDATA, RCLK, RCLKE, RE, RADDR, WCLKN, WCLKE, WE, WADDR, MASK, WDATA);

```

SB_RAM2048x2NW ram2048x2nw_inst (
    .RDATA(RDATA_c[1:0]),
    .RADDR(RADDR_c[10:0]),
    .RCLK(RCLK_c),
    .RCLKE(RCLKE_c),
    .RE(RE_c),
    .WADDR(WADDR_c[10:0]),
    .WCLKN(WCLKN_c),
    .WCLKE(WCLKE_c),
    .WDATA(WDATA_c[1:0]),
    .WE(WE_c)
);
defparam ram2048x2nw_inst.INIT_0 =
256'h0000000000000000000000000000000000000000000000000000000000000000;

```

```

defparam ram2048x2nw_inst .INIT_1 =
256'h0000000000000000000000000000000000000000000000000000000000000000;
defparam ram2048x2nw_inst .INIT_2 =
256'h0000000000000000000000000000000000000000000000000000000000000000;
defparam ram2048x2nw_inst .INIT_3 =
256'h0000000000000000000000000000000000000000000000000000000000000000;
defparam ram2048x2nw_inst .INIT_4 =
256'h0000000000000000000000000000000000000000000000000000000000000000;
defparam ram2048x2nw_inst .INIT_5 =
256'h0000000000000000000000000000000000000000000000000000000000000000;
defparam ram2048x2nw_inst .INIT_6 =
256'h0000000000000000000000000000000000000000000000000000000000000000;
defparam ram2048x2nw_inst .INIT_7 =
256'h0000000000000000000000000000000000000000000000000000000000000000;
defparam ram2048x2nw_inst .INIT_8 =
256'h0000000000000000000000000000000000000000000000000000000000000000;
defparam ram2048x2nw_inst .INIT_9 =
256'h0000000000000000000000000000000000000000000000000000000000000000;
defparam ram2048x2nw_inst .INIT_A =
256'h0000000000000000000000000000000000000000000000000000000000000000;
defparam ram2048x2nw_inst .INIT_B =
256'h0000000000000000000000000000000000000000000000000000000000000000;
defparam ram2048x2nw_inst .INIT_C =
256'h0000000000000000000000000000000000000000000000000000000000000000;
defparam ram2048x2nw_inst .INIT_D =
256'h0000000000000000000000000000000000000000000000000000000000000000;
defparam ram2048x2nw_inst .INIT_E =
256'h0000000000000000000000000000000000000000000000000000000000000000;
defparam ram2048x2nw_inst .INIT_F =
256'h0000000000000000000000000000000000000000000000000000000000000000;

```

VHDL Instantiation:

```

ram2048x2nw_inst:  SB_RAM2048x2NW
generic map (
INIT_0 =>
X"0000000000000000000000000000000000000000000000000000000000000000",
INIT_1 =>
X"0000000000000000000000000000000000000000000000000000000000000000",
INIT_2 =>
X"0000000000000000000000000000000000000000000000000000000000000000",
INIT_3 =>
X"0000000000000000000000000000000000000000000000000000000000000000",
INIT_4 =>
X"0000000000000000000000000000000000000000000000000000000000000000",
INIT_5 =>
X"0000000000000000000000000000000000000000000000000000000000000000",
INIT_6 =>
X"0000000000000000000000000000000000000000000000000000000000000000",
INIT_7 =>
X"0000000000000000000000000000000000000000000000000000000000000000",
INIT_8 =>
X"0000000000000000000000000000000000000000000000000000000000000000",
INIT_9 =>
X"0000000000000000000000000000000000000000000000000000000000000000",
INIT_A =>
X"0000000000000000000000000000000000000000000000000000000000000000",
INIT_B =>
X"0000000000000000000000000000000000000000000000000000000000000000",
INIT_C =>
X"0000000000000000000000000000000000000000000000000000000000000000",
INIT_D =>
X"0000000000000000000000000000000000000000000000000000000000000000",

```



```

INIT_E =>
X"0000000000000000000000000000000000000000000000000000000000000000",
INIT_F => X"0000000000000000000000000000000000000000000000000000000000000000"
)
port map (
    RDATA => RDATA_c,
    RADDR => RADDR_c,
    RCLK => RCLK_c,
    RCLKE => RCLKE_c,
    RE => RE_c,
    WADDR => WADDR_c,
    WCLKN=> WCLKN_c,
    WCLKE => WCLKE_c,
    WDATA => WDATA_c,
    WE => WE_c
);

```

SB_RAM2048x2NRNW

SB_RAM2048x2NRNW // Negative edged Read and Write – i.e. RCLKN WRCLKN
(RDATA, RCLKN, RCLKE, RE, RADDR, WCLKN, WCLKE, WE, WADDR, MASK, WDATA);

```

SB_RAM2048x2NRNW ram2048x2nrnw_inst (
    .RDATA(RDATA_c[1:0]),
    .RADDR(RADDR_c[10:0]),
    .RCLKN(RCLKN_c),
    .RCLKE(RCLKE_c),
    .RE(RE_c),
    .WADDR(WADDR_c[10:0]),
    .WCLKN(WCLKN_c),
    .WCLKE(WCLKE_c),
    .WDATA(WDATA_c[1:0]),
    .WE(WE_c)
);
defparam ram2048x2nrnw_inst.INIT_0 =
256'h0000000000000000000000000000000000000000000000000000000000000000;
defparam ram2048x2nrnw_inst.INIT_1 =
256'h0000000000000000000000000000000000000000000000000000000000000000;
defparam ram2048x2nrnw_inst.INIT_2 =
256'h0000000000000000000000000000000000000000000000000000000000000000;
defparam ram2048x2nrnw_inst.INIT_3 =
256'h0000000000000000000000000000000000000000000000000000000000000000;
defparam ram2048x2nrnw_inst.INIT_4 =
256'h0000000000000000000000000000000000000000000000000000000000000000;
defparam ram2048x2nrnw_inst.INIT_5 =
256'h0000000000000000000000000000000000000000000000000000000000000000;
defparam ram2048x2nrnw_inst.INIT_6 =
256'h0000000000000000000000000000000000000000000000000000000000000000;
defparam ram2048x2nrnw_inst.INIT_7 =
256'h0000000000000000000000000000000000000000000000000000000000000000;
defparam ram2048x2nrnw_inst.INIT_8 =
256'h0000000000000000000000000000000000000000000000000000000000000000;
defparam ram2048x2nrnw_inst.INIT_9 =
256'h0000000000000000000000000000000000000000000000000000000000000000;
defparam ram2048x2nrnw_inst.INIT_A =
256'h0000000000000000000000000000000000000000000000000000000000000000;
defparam ram2048x2nrnw_inst.INIT_B =
256'h0000000000000000000000000000000000000000000000000000000000000000;
defparam ram2048x2nrnw_inst.INIT_C =
256'h0000000000000000000000000000000000000000000000000000000000000000;

```

```

defparam ram2048x2nrnw_inst .INIT_D =
256'h0000000000000000000000000000000000000000000000000000000000000000;
defparam ram2048x2nrnw_inst .INIT_E =
256'h0000000000000000000000000000000000000000000000000000000000000000;
defparam ram2048x2nrnw_inst .INIT_F =
256'h0000000000000000000000000000000000000000000000000000000000000000;

```

VHDL Instantiation:

```

ram2048x2nrnw_inst : SB_RAM2048x2NRNW
generic map (
INIT_0 =>
X"0000000000000000000000000000000000000000000000000000000000000000",
INIT_1 =>
X"0000000000000000000000000000000000000000000000000000000000000000",
INIT_2 =>
X"0000000000000000000000000000000000000000000000000000000000000000",
INIT_3 =>
X"0000000000000000000000000000000000000000000000000000000000000000",
INIT_4 =>
X"0000000000000000000000000000000000000000000000000000000000000000",
INIT_5 =>
X"0000000000000000000000000000000000000000000000000000000000000000",
INIT_6 =>
X"0000000000000000000000000000000000000000000000000000000000000000",
INIT_7 =>
X"0000000000000000000000000000000000000000000000000000000000000000",
INIT_8 =>
X"0000000000000000000000000000000000000000000000000000000000000000",
INIT_9 =>
X"0000000000000000000000000000000000000000000000000000000000000000",
INIT_A =>
X"0000000000000000000000000000000000000000000000000000000000000000",
INIT_B =>
X"0000000000000000000000000000000000000000000000000000000000000000",
INIT_C =>
X"0000000000000000000000000000000000000000000000000000000000000000",
INIT_D =>
X"0000000000000000000000000000000000000000000000000000000000000000",
INIT_E =>
X"0000000000000000000000000000000000000000000000000000000000000000",
INIT_F => X"0000000000000000000000000000000000000000000000000000000000000000"
)
port map (
RDATA => RDATA_C,
RADDR => RADDR_C,
RCLKN => RCLKN_C,
RCLKE => RCLKE_C,
RE => RE_C,
WADDR => WADDR_C,
WCLKN=> WCLKN_C,
WCLKE => WCLKE_C,
WDATA => WDATA_C,
WE => WE_C
);

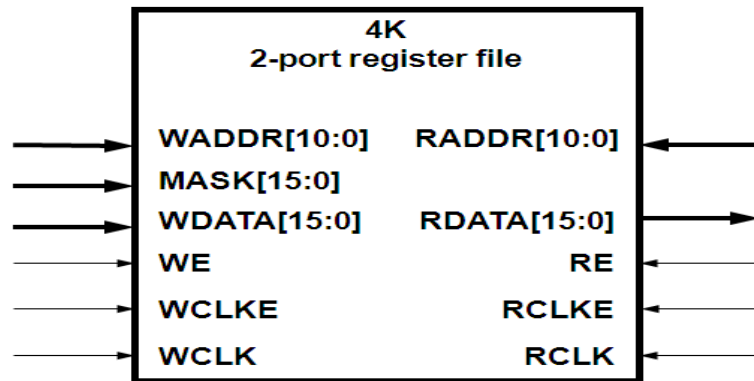
```

SB_RAM40_4K

SB_RAM40_4K is the basic physical RAM primitive which can be instantiated and configured to different depth and dataports. The SB_RAM40_4K block has a size of 4K bits with separate write and read ports, each with independent control signals. By default, input and output data is 16 bits wide, although the data width is configurable using the READ_MODE and WRITE_MODE parameters. The data contents of the SB_RAM40_4K block are optionally pre-loaded during ICE device configuration.

SB_RAM40_4K Naming Convention Rules

RAM Primitive Name	Description
SB_RAM40_4K	Posedge Read clock, Posedge Write clock
SB_RAM40_4KNR	Negedge Read clock, Posedge Write clock
SB_RAM40_4KNW	Posedge Read clock, Negedge Write clock
SB_RAM40_4KNRNW	Negedge Read clock, Negedge Write clock



The following table lists the signals for both ports.

SB_RAM40_4K RAM Port Signals		
Signal Name	Direction	Description
WDATA[15:0]	Input	Write Data input
MASK[15:0]*	Input	Bit-line Write Enable input, active low. Applicable only when WRITE_MODE parameter is set to 0.
WADDR[7:0]	Input	Write Address input. Selects up to 256 possible locations
WE	Input	Write Enable input, active high
WCLK	Input	Write Clock input, rising-edge active
WCLKE	Input	Write Clock Enable input
RDATA[15:0]	Output	Read Data output
RADDR[7:0]	Input	Read Address input. Selects one of 256 possible locations
RE	Input	Read Enable input, active high
RCLK	Input	Read Clock input, rising-edge active
RCLKE	Input	Read Clock Enable input

Parameter Name	Description	Parameter Value	Configuration
INIT_0,,INIT_F	RAM Initialization Data. Passed using 16 parameter strings, each comprising 256 bits. (16x256=4096 total bits)	INIT_0 to INIT_F	Initialize the RAM with predefined value
WRITE_MODE	Sets the RAM block write port configuration	0	256x16
		1	512x8
		2	1024x4
		3	2048x2
READ_MODE	Sets the RAM block read port configuration	0	256x16
		1	512x8
		2	1024x4
		3	2048x2

SB_RAM40_4K

Verilog Instantiation:

```
// Physical RAM Instance without Pre Initialization
```

```
SB_RAM40_4K ram40_4kinst_physical (
    .RDATA(RDATA),
    .RADDR(RADDR),
    .WADDR(WADDR),
    .MASK(MASK),
    .WDATA(WDATA),
    .RCLKE(RCLKE),
    .RCLK(RCLK),
    .RE(RE),
    .WCLKE(WCLKE),
    .WCLK(WCLK),
    .WE(WE)
);
defparam ram40_4kinst_physical.READ_MODE=0;
defparam ram40_4kinst_physical.WRITE_MODE=0;
```

VHDL Instantiation:

```
-- Physical RAM Instance without Pre Initialization
```

```
ram40_4kinst_physical : SB_RAM40_4K
generic map (
    READ_MODE => 0,
    WRITE_MODE => 0 )
port map (
    RDATA=>RDATA,
    RADDR=>RADDR,
    WADDR=>WADDR,
    MASK=>MASK,
    WDATA=>WDATA,
    RCLKE=>RCLKE,
    RCLK=>RCLK,
    RE=>RE,
    WCLKE=>WCLKE,
    WCLK=>WCLK,
    WE=>WE
);
```

SB_RAM40_4KNR

Verilog Instantiation:

```
// Physical RAM Instance without Pre Initialization

SB_RAM40_4KNR ram40_4knrinst_physical (
    .RDATA(RDATA),
    .RADDR(RADDR),
    .WADDR(WADDR),
    .MASK(MASK),
    .WDATA(WDATA),
    .RCLKE(RCLKE),
    .RCLKN(RCLKN),
    .RE(RE),
    .WCLKE(WCLKE),
    .WCLK(WCLK),
    .WE(WE)
);
defparam ram40_4knrinst_physical.READ_MODE=0;
defparam ram40_4knrinst_physical.WRITE_MODE=0;
```

VHDL Instantiation:

```
-- Physical RAM Instance without Pre Initialization

ram40_4knrinst_physical : SB_RAM40_4KNR
generic map (
    READ_MODE => 0,
    WRITE_MODE => 0
)
port map (
    RDATA=>RDATA,
    RADDR=>RADDR,
    WADDR=>WADDR,
    MASK=>MASK,
    WDATA=>WDATA,
    RCLKE=>RCLKE,
    RCLKN=>RCLKN,
    RE=>RE,
    WCLKE=>WCLKE,
    WCLK=>WCLK,
    WE=>WE
);
```

SB_RAM40_4KNW

Verilog Instantiation:

```
// Physical RAM Instance without Pre Initialization

SB_RAM40_4KNW ram40_4knwinst_physical (
    .RDATA(RDATA),
    .RADDR(RADDR),
    .WADDR(WADDR),
    .MASK(MASK),
    .WDATA(WDATA),
    .RCLKE(RCLKE),
    .RCLK(RCLK),
    .RE(RE),
    .WCLKE(WCLKE),
    .WCLKN(WCLKN),
    .WE(WE)
);
defparam ram40_4knwinst_physical.READ_MODE=0;
defparam ram40_4knwinst_physical.WRITE_MODE=0;
```

VHDL Instantiation:

```
-- Physical RAM Instance without Pre Initialization

ram40_4knwinst_physical : SB_RAM40_4KNW
generic map (
    READ_MODE => 0,
    WRITE_MODE => 0
)
port map (
    RDATA=>RDATA,
    RADDR=>RADDR,
    WADDR=>WADDR,
    MASK=>MASK,
    WDATA=>WDATA,
    RCLKE=>RCLKE,
    RCLK=>RCLK,
    RE=>RE,
    WCLKE=>WCLKE,
    WCLKN=>WCLKN,
    WE=>WE
);
```

SB_RAM40_4KNRNW

Verilog Instantiation:

```
// Physical RAM Instance without Pre Initialization
```

```
SB_RAM40_4KNRNW ram40_4knnwinst_physical (
    .RDATA(RDATA),
    .RADDR(RADDR),
    .WADDR(WADDR),
    .MASK(MASK),
    .WDATA(WDATA),
    .RCLKE(RCLKE),
    .RCLKN(RCLKN),
    .RE(RE),
    .WCLKE(WCLKE),
    .WCLKN(WCLKN),
    .WE(WE)
);
defparam ram40_4knnwinst_physical.READ_MODE=0;
defparam ram40_4knnwinst_physical.WRITE_MODE=0;
```

VHDL Instantiation:

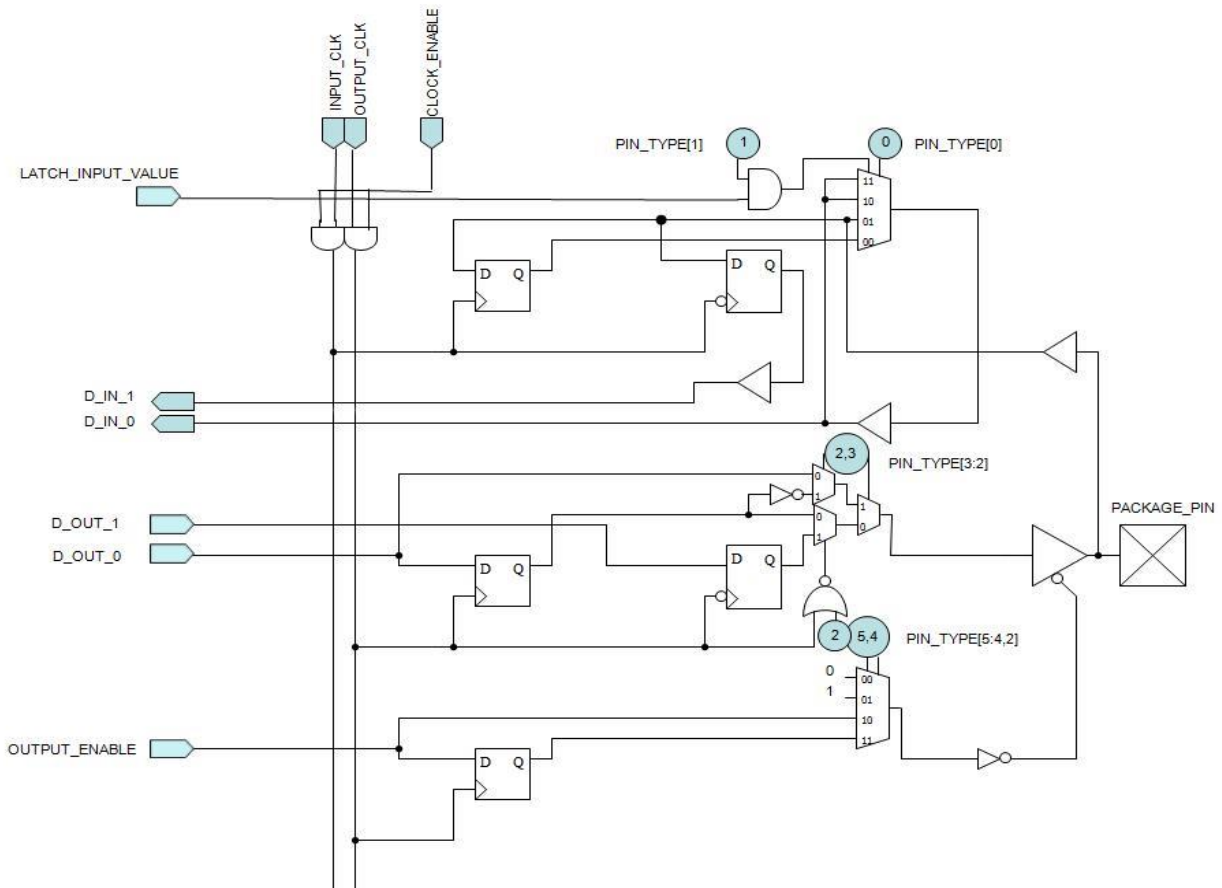
```
-- Physical RAM Instance without Pre Initialization
```

```
ram40_4knnwinst_physical : SB_RAM40_4KNRNW
generic map (
    READ_MODE => 0,
    WRITE_MODE => 0
)
port map (
    RDATA=>RDATA,
    RADDR=>RADDR,
    WADDR=>WADDR,
    MASK=>MASK,
    WDATA=>WDATA,
    RCLKE=>RCLKE,
    RCLKN=>RCLKN,
    RE=>RE,
    WCLKE=>WCLKE,
    WCLKN=>WCLKN,
    WE=>WE
);
```

IO Primitives

SB_IO

The SB_IO block contains five registers. The following figure and Verilog template illustrate the complete user accessible logic diagram, and its Verilog instantiation.



Default Signal Values

The iCEcube2 software assigns the logic '0' value to all unconnected input ports except for CLOCK_ENABLE.

Note that explicitly connecting a logic '1' value to port CLOCK_ENABLE will result in a non-optimal implementation, since an extra LUT will be used to generate the Logic '1'. If the user's intention is to keep the Input and Output registers always enabled, it is recommended that port CLOCK_ENABLE be left unconnected.

Input and Output Pin Function Tables

Input and Output functions are independently selectable via PIN_TYPE [1:0] and PIN_TYPE [5:2] parameter settings respectively. Specific IO functions are defined by the combination of both attributes. This means that the complete number of combinations is 64, although some combinations are not valid and not defined below.

Note that the selection of IO Standards such as SSTL and LVCMOS are not defined by these tables.

Input Pin Function Table				
#	Pin Function Mnemonic	PIN_TYPE[1:0]		Functional Description of Package Pin Input Operation
1	PIN_INPUT	0	1	Simple input pin (D_IN_0)
2	PIN_INPUT_LATCH	1	1	Disables internal data changes on the physical input pin by latching the value.
3	PIN_INPUT_REGISTERED	0	0	Input data is registered in input cell
4	PIN_INPUT_REGISTERED_LATCH	1	0	Disables internal data changes on the physical input pin by latching the value on the input register
5	PIN_INPUT_DDR	0	0	Input 'DDR' data is clocked out on rising and falling clock edges. Use the D_IN_0 and D_IN_1 pins for DDR operation.

Output Pin Function table						
#	Pin Function Mnemonic	PIN_TYPE[5:2]				Functional Description of Package Pin Output Operation
1	PIN_NO_OUTPUT	0	0	0	0	Disables the output function
2	PIN_OUTPUT	0	1	1	0	Simple output pin, (no enable)
3	PIN_OUTPUT_TRISTATE	1	0	1	0	The output pin may be tristated using the enable
4	PIN_OUTPUT_ENABLE_REGISTERED	1	1	1	0	The output pin may be tristated using a registered enable signal
5	PIN_OUTPUT_REGISTERED	0	1	0	1	Output registered, (no enable)
6	PIN_OUTPUT_REGISTERED_ENABLE	1	0	0	1	Output registered with enable (enable is not registered)
7	PIN_OUTPUT_REGISTERED_ENABLE_REGISTERED	1	1	0	1	Output registered and enable registered
8	PIN_OUTPUT_DDR	0	1	0	0	Output 'DDR' data is clocked out on rising and falling clock edges
9	PIN_OUTPUT_DDR_ENABLE	1	0	0	0	Output data is clocked out on rising and falling clock edges
10	PIN_OUTPUT_DDR_ENABLE_REGISTERED	1	1	0	0	Output 'DDR' data with registered enable signal
11	PIN_OUTPUT_REGISTERED_INVERTED	0	1	1	1	Output registered signal is inverted
12	PIN_OUTPUT_REGISTERED_ENABLE_INVERTED	1	0	1	1	Output signal is registered and inverted, (no enable function)
13	PIN_OUTPUT_REGISTERED_ENABLE_REGISTERED_INVERTED	1	1	1	1	Output signal is registered and inverted, the enable/tristate control is registered.

Syntax Verilog Use

Output Pin Function is the bit vector associated with PIN_TYPE [5:2] and Input Pin Function is the bit vector associated with PIN_TYPE [1:0], resulting in a 6 bit value PIN_TYPE [5:0]

```
defparam my_generic_IO.PIN_TYPE = 6'b{Output Pin Function, Input Pin Function};
```

DDR IO Configuration

The following setting configures the SB_IO into a DDR IO.

```
defparam my_DDR_IO.PIN_TYPE = 6'b100000;  
  
// PIN_TYPE [5:2] = 1000  
// PIN_TYPE [1:0] = 00
```

This creates a DDR IO pin whereby the input data is clocked in on both the rising and falling input clock edges.

The output 'DDR' data is clocked out on rising and falling output clock edges, and the output may be tri-stated, using the output enable port of the SB_IO.

High Drive SB_IO

IO's in iCE40/iCE40LM device can be configured with different drive strengths to increase the IO output current. To configure an SB_IO with specific drive value, the user needs to specify the "DRIVE_STRENGTH" synthesis attribute on the SB_IO instance and the IO should be configured as output-only registered IO.

Synthesis Attribute Syntax:

```
/* synthesis DRIVE_STRENGTH = <Drive value> */
```

Drive Value:

Drive Strength Value	Description.
x1	Default drive strength. No replication of SB_IO.
x2	Increase default drive strength by 2. SB_IO replicated once.
x3	Increase default drive strength by 3. SB_IO replicated twice.

Note: High drive SB_IO is available only in selected ICE40/ICE40LM packages. Refer to Chapter 12 in iCEcube2_userguide for the list of supported device packages.

Pull Up Resistor Configuration.

For iCE40UL device, user can configure the internal pull up resistor strength of an IO to a predefined resistor value via attribute settings. By default, all the IO's are weakly pulled up by 100K internal resistor. The PULLUP_RESISTOR attribute is effective only when PULLUP parameter is set to 1.

Synthesis Attribute Syntax:

```
/* synthesis PULLUP_RESISTOR = "3P3K" */
```

Resistor Value:

Resistor Value	Description.
"3P3K"	Pull up resistor level is 3.3K.
"6P8K"	Pull up resistor level is 6.8K.
"10K"	Pull up resistor level is 10K.
"100K"	Pull up resistor level is 100K. (Default)

Note: PULLUP_RESISTOR attribute is supported only for iCE40UL devices.

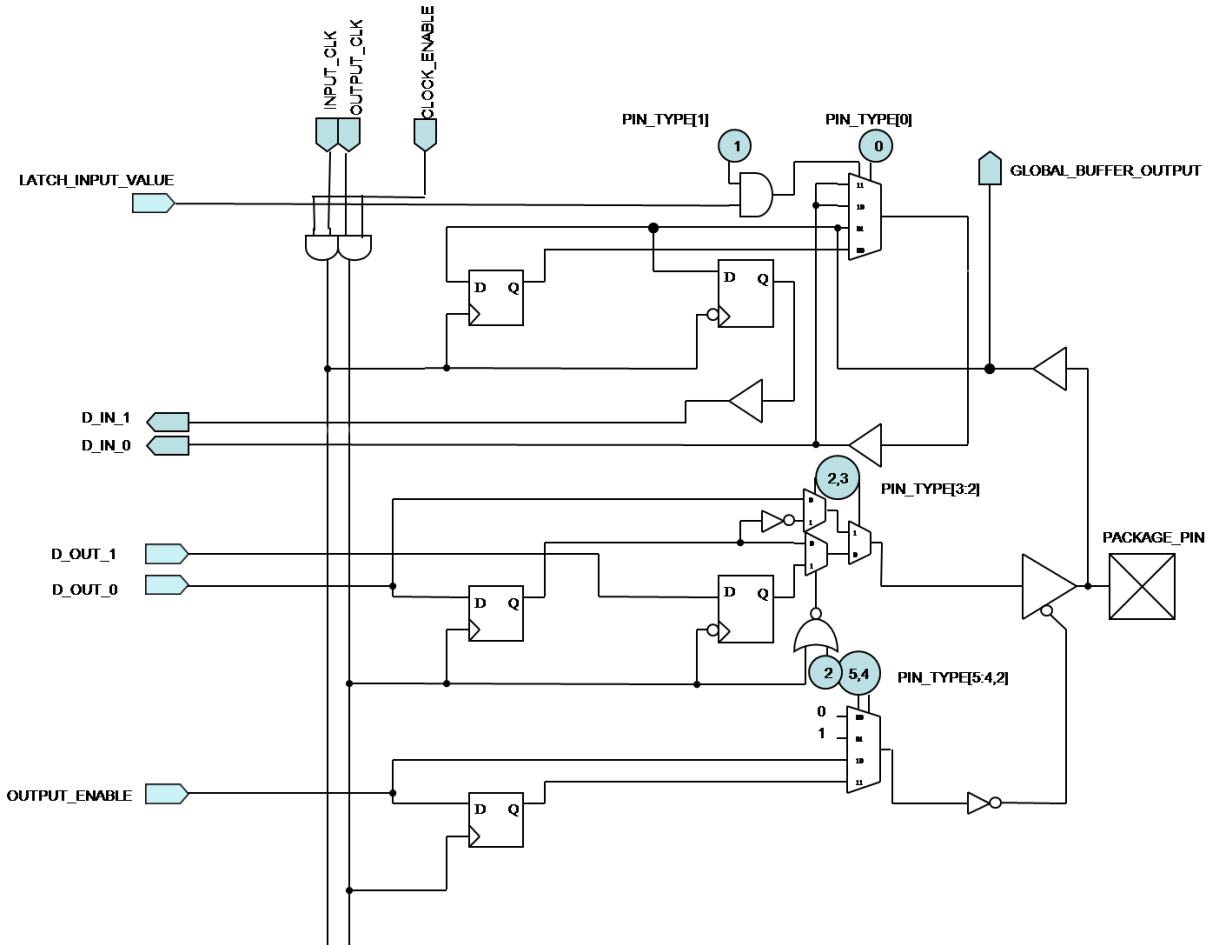
Verilog Instantiation

```
SB_IO      IO_PIN_INST
(
.PACKAGE_PIN (Package_Pin),           // User's Pin signal name
.LATCH_INPUT_VALUE (latch_input_value), // Latches/holds the Input value
.CLOCK_ENABLE (clock_enable),         // Clock Enable common to input and
                                        // output clock
.INPUT_CLK (input_clk),               // Clock for the input registers
.OUTPUT_CLK (output_clk),             // Clock for the output registers
.OUTPUT_ENABLE (output_enable),       // Output Pin Tristate/Enable
                                        // control
.D_OUT_0 (d_out_0),                  // Data 0 - out to Pin/Rising clk
                                        // edge
.D_OUT_1 (d_out_1),                  // Data 1 - out to Pin/Falling clk
                                        // edge
.D_IN_0 (d_in_0),                    // Data 0 - Pin input/Rising clk
                                        // edge
.D_IN_1 (d_in_1)                     // Data 1 - Pin input/Falling clk
                                        // edge
) /* synthesis DRIVE_STRENGTH= x2 */;

defparam IO_PIN_INST.PIN_TYPE = 6'b000000;
// See Input and Output Pin Function Tables.
// Default value of PIN_TYPE = 6'000000 i.e.
// an input pad, with the input signal
// registered.
defparam IO_PIN_INST.PULLUP = 1'b0;
// By default, the IO will have NO pull up.
// This parameter is used only on bank 0, 1,
// and 2. Ignored when it is placed at bank 3
defparam IO_PIN_INST.NEG_TRIGGER = 1'b0;
// Specify the polarity of all FFs in the IO to
// be falling edge when NEG_TRIGGER = 1.
// Default is rising edge.
defparam IO_PIN_INST.IO_STANDARD = "SB_LVCMOS";
// Other IO standards are supported in bank 3
// only: SB_SSTL2_CLASS_2, SB_SSTL2_CLASS_1,
// SB_SSTL18_FULL, SB_SSTL18_HALF, SB_MDDR10,
// SB_MDDR8, SB_MDDR4, SB_MDDR2 etc.
```

Global Buffer Primitives

SB_GB_IO



Default Signal Values

The iCEcube2 software assigns the logic '0' value to all unconnected input ports except for CLOCK_ENABLE.

Note that explicitly connecting a logic '1' value to port CLOCK_ENABLE will result in a non-optimal implementation, since an extra LUT will be used to generate the Logic '1'. If the user's intention is to keep the Input and Output registers always enabled, it is recommended that port CLOCK_ENABLE be left unconnected.

Verilog Instantiation

```
SB_GB_IO My_Clock_Buffer_Package_Pin ( // A users external Clock reference
    pin
    .PACKAGE_PIN (Package_Pin), // User's Pin signal name
    .LATCH_INPUT_VALUE (latch_input_value), // Latches/holds the Input value
    .CLOCK_ENABLE (clock_enable), // Clock Enable common to input and
    // output clock
```

```

.INPUT_CLK (input_clk),           // Clock for the input registers
.OUTPUT_CLK (output_clk),        // Clock for the output registers
.OUTPUT_ENABLE (output_enable),  // Output Pin Tristate/Enable
                                  // control
.D_OUT_0 (d_out_0),             // Data 0 - out to Pin/Rising clk
                                  // edge
.D_OUT_1 (d_out_1),             // Data 1 - out to Pin/Falling clk
                                  // edge
.D_IN_0 (d_in_0),               // Data 0 - Pin input/Rising clk
                                  // edge
.D_IN_1 (d_in_1)                // Data 1 - Pin input/Falling clk
                                  // edge

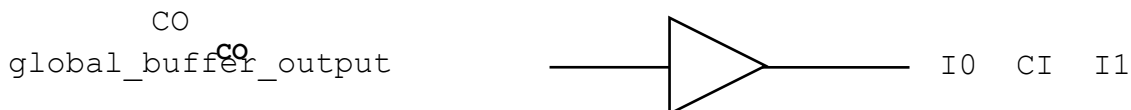
.GLOBAL_BUFFER_OUTPUT (Global_Buffered_User_Clock)
                                  // Example use - clock buffer
                                  //driven from the input pin
);

defparam My_Clock_Buffer_Package_Pin.PIN_TYPE = 6'b000000;
                                  // See Input and Output Pin Function Tables.
                                  // Default value of PIN_TYPE = 6'000000 i.e.
                                  // an input pad, with the input signal
                                  // registered

```

Note that this primitive is a superset of the SB_IO primitive, and includes the connectivity to drive a Global Buffer. For example SB_GB_IO pins are likely to be used for external Clocks.

SB_GB Primitive



Verilog Instantiation

```

SB_GB My_Global_Buffer_i (        //Required for a user's internally generated
                                  //FPGA signal that is heavily loaded and
                                  //requires global buffering. For example, a
                                  //user's logic-generated clock.

.USER_SIGNAL_TO_GLOBAL_BUFFER (Users_internal_Clk),
.GLOBAL_BUFFER_OUTPUT ( Global_Buffered_User_Signal)
);

```

PLL Primitives

The Phase Lock Loop (PLL) function is offered as a feature in certain iCE device packages.

It is strongly recommended that the configuration of the PLL primitives be accomplished through the use of the PLL Configuration tool that is offered as part of the iCEcube2 software.

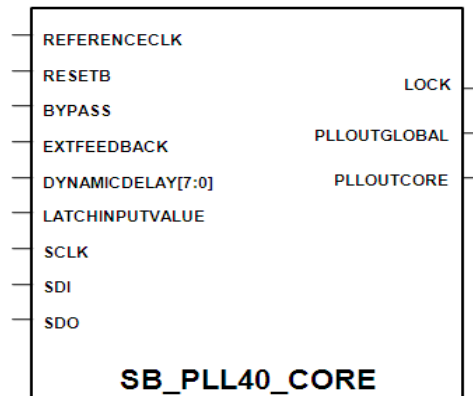
ICE40 PLL Primitives

There are 5 primitives that represent the PLL function in the iCEcube2 software viz. SB_PLL40_CORE, SB_PLL40_PAD, SB_PLL40_2_PAD, SB_PLL40_2F_CORE and SB_PLL40_2F_PAD for the ice40 device family. A short description of each primitive and its ports/parameters is provided in the following sections.

It is strongly recommended that the configuration of the PLL primitives be accomplished through the use of the PLL Configuration tool that is offered as part of the iCEcube2 software.

SB_PLL40_CORE

The SB_PLL40_CORE primitive should be used when the source clock of the PLL is driven by FPGA routing i.e. when the PLL source clock originates on the FPGA or is driven by an input pad that is not in the bottom IO bank (IO Bank 2).



Ports

REFERENCECLK: PLL source clock that serves as the input to the SB_PLL40_CORE primitive.

PLLOUTGLOBAL: Output clock generated by the PLL, drives a global clock network on the FPGA.

PLLOUTCORE: Output clock generated by the PLL, drives regular FPGA routing. The frequency generated on this output is the same as the frequency of the clock signal generated on the PLLOUTLGOBAL port.

LOCK: Output port, when HIGH, indicates that the signal on PLLOUTGLOBAL/PLLOUTCORE is locked to the PLL source on REFERENCECLK.

EXTFEEDBACK: External feedback input to PLL. Enabled when the FEEDBACK_PATH parameter is set to EXTERNAL.

DYNAMICDELAY: 7 bit input bus that enables dynamic control of the delay contributed by the Fine Delay Adjust Block. The Fine Delay Adjust Block is used when there is a need to adjust the phase alignment of PLLOUTGLOBAL/PLLOUTCORE with respect to REFERENCECLK. The DYNAMICDELAY port controls are enabled when the DELAY_ADJUSTMENT_MODE parameter is set to DYNAMIC.

RESETB: Active low input that asynchronously resets the PLL.

BYPASS: Input signal, when asserted, connects the signal on REFERENCECLK to PLLOUTCORE/PLLOUTGLOBAL pins.

LATCHINPUTVALUE: Active high input, when enabled, forces the PLL into low-power mode. The PLLOUTGLOBAL/PLLOUTCORE pins are held static at their last value. This function is enabled when the parameter ENABLE_ICEGATE is set to '1'.

SCLK, SDI, SDO: These pins are used only for internal testing purposes, and need not be instantiated by users.

Parameters

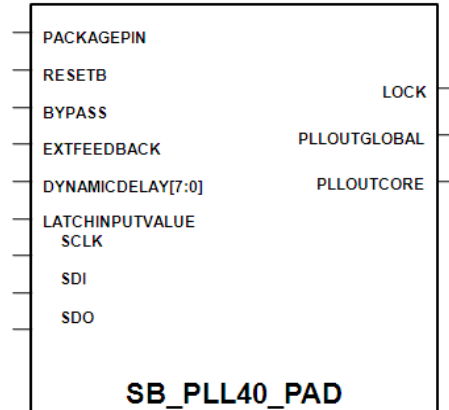
The SB_PLL40_CORE primitive requires configuration through the specification of the following parameters. It is strongly recommended that the configuration of the PLL primitives be accomplished through the use of the PLL Configuration tool that is offered as part of the iCEcube2 software.

Parameter Name	Description	Parameter Value	Description
FEEDBACK_PATH	Selects the feedback path to the PLL	SIMPLE	Feedback is internal to the PLL, directly from VCO
		DELAY	Feedback is internal to the PLL, through the Fine Delay Adjust Block
		PHASE_AND_DELAY	Feedback is internal to the PLL, through the Phase Shifter and the Fine Delay Adjust Block
		EXTERNAL	Feedback path is external to the PLL, and connects to EXTFEEDBACK pin. Also uses the Fine Delay Adjust Block.
DELAY_ADJUSTMENT_MODE_FEEDBACK	Selects the mode for the Fine Delay Adjust block in the feedback path	FIXED	Delay of the Fine Delay Adjust Block is fixed, the value is specified by the FDA_FEEDBACK parameter setting
		DYNAMIC	Delay of Fine Delay Adjust Block is determined by the signal value at the DYNAMICDELAY[3:0] pins
FDA_FEEDBACK	Sets a constant value for the Fine Delay Adjust Block in the feedback path	0, 1,...,15	The PLLOUTGLOBAL & PLLOUTCORE signals are delay compensated by $(n+1)*150$ ps, where $n = \text{FDA_FEEDBACK}$ only if the setting of the DELAY_ADJUSTMENT_MODE_FEEDBACK is FIXED.
DELAY_ADJUSTMENT_MODE_RELATIVE	Selects the mode for the Fine Delay Adjust block	FIXED	Delay of the Fine Delay Adjust Block is fixed, the value is specified by the FDA_RELATIVE parameter setting
		DYNAMIC	Delay of Fine Delay Adjust Block is determined by the signal value at the DYNAMICDELAY[7:4] pins
FDA_RELATIVE	Sets a constant value for the Fine Delay Adjust Block	0, 1,...,15	The PLLOUTGLOBALA & PLLOUTCOREA signals are additionally delayed by $(n+1)*150$ ps, where $n = \text{FDA_RELATIVE}$. Used if DELAY_ADJUSTMENT_MODE_RELATIVE is "FIXED".
SHIFTREG_DIV_MODE	Selects shift register configuration	0,1	Used when FEEDBACK_PATH is "PHASE_AND_DELAY". 0→Divide by 4 1→Divide by 7
PLLOUT_SELECT	Selects the signal to be output at the PLLOUTCORE and PLLOUTGLOBAL ports	SHIFTREG_0deg	0° phase shift only if the setting of FEEDBACK_PATH is "PHASE_AND_DELAY"
		SHIFTREG_90deg	90° phase shift only if the setting of FEEDBACK_PATH is "PHASE_AND_DELAY" and SHIFTREG_DIV_MODE=0
		GENCLK	The internally generated PLL frequency will be output without any phase shift.
		GENCLK_HALF	The internally generated PLL frequency will be divided by 2 and then output. No phase shift.
DIVR	REFERENCECLK divider	0,1,2,...,15	These parameters are used to

DIVF	Feedback divider	0,1,...,63	control the output frequency, depending on the FEEDBACK_PATH setting.
DIVQ	VCO Divider	1,2,...,6	
FILTER_RANGE	PLL Filter Range	0,1,...,7	
EXTERNAL_DIVIDE_FACTOR OR	Divide-by factor of a divider in external feedback path	User specified value. Default 1	Specified only when there is a user-implemented divider in the external feedback path.
ENABLE_ICEGATE	Enables the PLL power-down control	0	Power-down control disabled
		1	Power-down controlled by LATCHINPUTVALUE input

SB_PLL40_PAD

The SB_PLL40_PAD primitive should be used when the source clock of the PLL is driven by an input pad that is located in the bottom IO bank (IO Bank 2) or the top IO bank (IO Bank 0), and the source clock is not required inside the FPGA.



Ports

PACKAGEPIN: PLL REFERENCE CLOCK pin that serves as the input to the SB_PLL40_PAD primitive.

PLLOUTGLOBAL: Output clock generated by the PLL, drives a global clock network on the FPGA.

PLLOUTCORE: Output clock generated by the PLL, drives regular FPGA routing. The frequency generated on this output is the same as the frequency of the clock signal generated on the PLLOUTGLOBAL port.

LOCK: Output port, when HIGH, indicates that the signal on PLLOUTGLOBAL/PLLOUTCORE is locked to the PLL source on PACKAGEPIN.

EXTFEEDBACK: External feedback input to PLL. Enabled when the FEEDBACK_PATH parameter is set to EXTERNAL.

DYNAMICDELAY: 7 bit input bus that enables dynamic control of the delay contributed by the Fine Delay Adjust Block. The Fine Delay Adjust Block is used when there is a need to adjust the phase alignment of PLLOUTGLOBAL/PLLOUTCORE with respect to PACKAGEPIN. The DYNAMICDELAY port controls are enabled when the DELAY_ADJUSTMENT_MODE parameter is set to DYNAMIC.

RESETB: Active low input that asynchronously resets the PLL.

BYPASS: Input signal, when asserted, connects the signal on PACKAGEPIN to PLLOUTCORE/PLLOUTGLOBAL pins.

LATCHINPUTVALUE: Active high input, when enabled, forces the PLL into low-power mode. The PLLOUTGLOBAL/PLLOUTCORE pins are held static at their last value. This function is enabled when the parameter ENABLE_ICEGATE is set to '1'.

SCLK, SDI, SDO: These pins are used only for internal testing purposes, and need not be instantiated by users.

Parameters

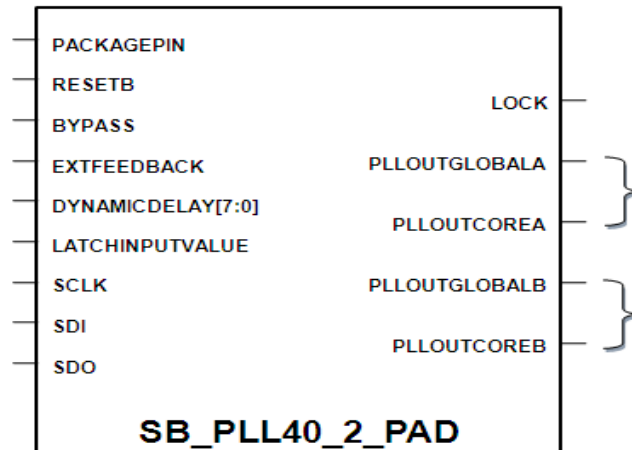
The SB_PLL40_PAD primitive requires configuration through the specification of the following parameters. It is strongly recommended that the configuration of the PLL primitives be accomplished through the use of the PLL Configuration tool that is offered as part of the iCEcube2 software.

Parameter Name	Description	Parameter Value	Description
FEEDBACK_PATH	Selects the feedback path to the PLL	SIMPLE	Feedback is internal to the PLL, directly from VCO
		DELAY	Feedback is internal to the PLL, through the Fine Delay Adjust Block
		PHASE_AND_DELAY	Feedback is internal to the PLL, through the Phase Shifter and the Fine Delay Adjust Block
		EXTERNAL	Feedback path is external to the PLL, and connects to EXTFEEDBACK pin. Also uses the Fine Delay Adjust Block.
DELAY_ADJUSTMENT_MODE_FEEDBACK	Selects the mode for the Fine Delay Adjust block in the feedback path	FIXED	Delay of the Fine Delay Adjust Block is fixed, the value is specified by the FDA_FEEDBACK parameter setting
		DYNAMIC	Delay of Fine Delay Adjust Block is determined by the signal value at the DYNAMICDELAY [3:0] pins
FDA_FEEDBACK	Sets a constant value for the Fine Delay Adjust Block in the feedback path	0, 1,...,15	The PLLOUTGLOBAL & PLLOUTCORE signals are delay compensated by $(n+1)*150$ ps, where $n = \text{FDA_FEEDBACK}$ only if the setting of the DELAY_ADJUSTMENT_MODE_FEEDBACK is FIXED.
DELAY_ADJUSTMENT_MODE_RELATIVE	Selects the mode for the Fine Delay Adjust block	FIXED	Delay of the Fine Delay Adjust Block is fixed, the value is specified by the FDA_RELATIVE parameter setting
		DYNAMIC	Delay of Fine Delay Adjust Block is determined by the signal value at the DYNAMICDELAY[7:4] pins
FDA_RELATIVE	Sets a constant value for the Fine Delay Adjust Block	0, 1,...,15	The PLLOUTGLOBALA & PLLOUTCOREA signals are additionally delayed by $(n+1)*150$ ps, where $n = \text{FDA_RELATIVE}$. Used if DELAY_ADJUSTMENT_MODE_RELATIVE is "FIXED".
SHIFTREG_DIV_MODE	Selects shift register configuration	0,1	Used when FEEDBACK_PATH is "PHASE_AND_DELAY". 0→Divide by 4 1→Divide by 7
PLLOUT_SELECT	Selects the signal to be output at the PLLOUTCORE and PLLOUTGLOBAL ports	SHIFTREG_0deg	0° phase shift only if the setting of FEEDBACK_PATH is "PHASE_AND_DELAY"
		SHIFTREG_90deg	90° phase shift only if the setting of FEEDBACK_PATH is "PHASE_AND_DELAY" and SHIFTREG_DIV_MODE=0
		GENCLK	The internally generated PLL frequency will be output without any phase shift.
		GENCLK_HALF	The internally generated PLL frequency will be divided by 2 and then output. No phase shift.
DIVR	REFERENCECLK divider	0,1,2,...,15	These parameters are used to

DIVF	Feedback divider	0,1,...,63	control the output frequency, depending on the FEEDBACK_PATH setting.
DIVQ	VCO Divider	1,2,...,6	
FILTER_RANGE	PLL Filter Range	0,1,...,7	
EXTERNAL_DIVIDE_FACTOR OR	Divide-by factor of a divider in external feedback path	User specified value. Default 1	Specified only when there is a user-implemented divider in the external feedback path.
ENABLE_ICEGATE	Enables the PLL power-down control	0	Power-down control disabled
		1	Power-down controlled by LATCHINPUTVALUE input

SB_PLL40_2_PAD

The SB_PLL40_2_PAD primitive should be used when the source clock of the PLL is driven by an input pad that is located in the bottom IO bank (IO Bank 2) or the top IO bank (IO Bank 0), and in addition to the PLL output, the source clock is also required inside the FPGA.



Ports

PACKAGEPIN: PLL REFERENCE CLOCK pin that serves as the input to the SB_PLL40_2_PAD primitive.

PLLOUTGLOBALA: The signal on PACKAGEPIN appears on the FPGA at this pin, and drives a global clock network on the FPGA. Do not use this pin in an external feedback path to the PLL.

PLLOUTCOREA: The signal on PACKAGEPIN appears on the FPGA at this pin, which drives regular FPGA routing. Do not use this pin in an external feedback path to the PLL.

PLLOUTGLOBALB: Output clock generated by the PLL, drives a global clock network on the FPGA.

PLLOUTCOREB: Output clock generated by the PLL, drives regular FPGA routing. The frequency generated on this output is the same as the frequency of the clock signal generated on the PLLOUTGLOBAL port.

LOCK: Output port, when HIGH, indicates that the signal on PLLOUTGLOBALB/PLLOUTCOREB is locked to the PLL source on PACKAGEPIN.

EXTFEEDBACK: External feedback input to PLL. Enabled when the FEEDBACK_PATH parameter is set to EXTERNAL.

DYNAMICDELAY: 4 bit input bus that enables dynamic control of the delay contributed by the Fine Delay Adjust Block. The Fine Delay Adjust Block is used when there is a need to adjust the phase alignment of PLLOUTGLOBAL/PLLOUTCORE with respect to PACKAGEPIN. The DYNAMICDELAY port controls are enabled when the DELAY_ADJUSTMENT_MODE parameter is set to DYNAMIC.

RESET: Active low input that asynchronously resets the PLL.

BYPASS: Input signal, when asserted, connects the signal on PACKAGEPIN to PLLOUTCORE/PLLOUTGLOBAL pins.

LATCHINPUTVALUE: Active high input, when enabled, forces the PLL into low-power mode. The PLLOUTGLOBALA/PLLOUTCOREA pins are held static at their last value only when the parameter ENABLE_ICEGATE_PORTA is set to '1', and the LATCHINPUTVALUE signal is asserted. The PLLOUTGLOBALB/PLLOUTCOREB pins are held static at their last value only when the parameter ENABLE_ICEGATE_PORTB is set to '1', and the LATCHINPUTVALUE signal is asserted.

SCLK, SDI, SDO: These pins are used only for internal testing purposes, and need not be instantiated by users.

Parameters

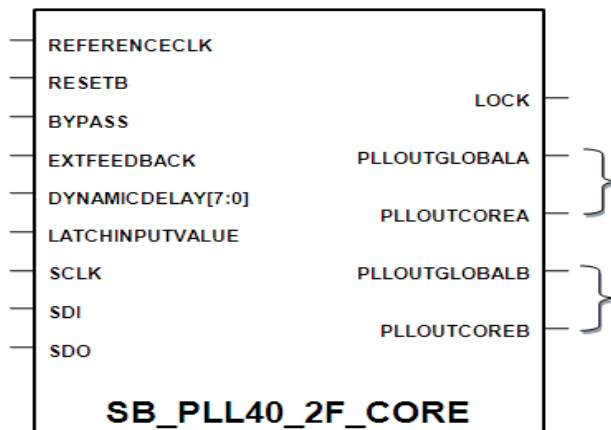
The SB_PLL40_2_PAD primitive requires configuration through the specification of the following parameters. It is strongly recommended that the configuration of the PLL primitives be accomplished through the use of the PLL Configuration tool that is offered as part of the iCEcube2 software.

Parameter Name	Description	Parameter Value	Description
FEEDBACK_PATH	Selects the feedback path to the PLL	SIMPLE	Feedback is internal to the PLL, directly from VCO
		DELAY	Feedback is internal to the PLL, through the Fine Delay Adjust Block
		PHASE_AND_DELAY	Feedback is internal to the PLL, through the Phase Shifter and the Fine Delay Adjust Block
		EXTERNAL	Feedback path is external to the PLL, and connects to EXTFEEDBACK pin. Also uses the Fine Delay Adjust Block.
DELAY_ADJUSTMENT_MODE_FEEDBACK	Selects the mode for the Fine Delay Adjust block in the feedback path	FIXED	Delay of the Fine Delay Adjust Block is fixed, the value is specified by the FDA_FEEDBACK parameter setting
		DYNAMIC	Delay of Fine Delay Adjust Block is determined by the signal value at the DYNAMICDELAY[3:0] pins
FDA_FEEDBACK	Sets a constant value for the Fine Delay Adjust Block in the feedback path	0, 1,...,15	The PLLOUTGLOBAL & PLLOUTCORE signals are delay compensated by $(n+1)*150$ ps, where $n = \text{FDA_FEEDBACK}$ only if the setting of the DELAY_ADJUSTMENT_MODE_FEEDBACK is FIXED.
DELAY_ADJUSTMENT_MODE_RELATIVE	Selects the mode for the Fine Delay Adjust block	FIXED	Delay of the Fine Delay Adjust Block is fixed, the value is specified by the FDA_RELATIVE parameter setting
		DYNAMIC	Delay of Fine Delay Adjust Block is determined by the signal value at the DYNAMICDELAY[7:4] pins
FDA_RELATIVE	Sets a constant value for the Fine Delay Adjust Block	0, 1,...,15	The PLLOUTGLOBALA & PLLOUTCOREA signals are delayed w.r.t. the Port B signals, by $(n+1)*150$ ps, where $n = \text{FDA_RELATIVE}$. Used if DELAY_ADJUSTMENT_MODE_RELATIVE is "FIXED".
SHIFTREG_DIV_MODE	Selects shift register configuration	0,1	Used when FEEDBACK_PATH is "PHASE_AND_DELAY". 0→Divide by 4 1→Divide by 7
PLLOUT_SELECT_PORTB	Selects the signal to be output at the PLLOUTCOREB and PLLOUTGLOBALB ports	SHIFTREG_0deg	0° phase shift only if the setting of FEEDBACK_PATH is "PHASE_AND_DELAY"
		SHIFTREG_90deg	90° phase shift only if the setting of FEEDBACK_PATH is "PHASE_AND_DELAY" and SHIFTREG_DIV_MODE=0
		GENCLK	The internally generated PLL frequency will be output to PortB. No phase shift.
		GENCLK_HALF	The internally generated PLL frequency will be divided by 2 and then output to PORTB. No phase shift.

DIVR	REFERENCECLK divider	0,1,2,...,15	These parameters are used to control the output frequency, depending on the FEEDBACK_PATH setting.
DIVF	Feedback divider	0,1,...,63	
DIVQ	VCO Divider	1,2,...,6	
FILTER_RANGE	PLL Filter Range	0,1,...,7	
EXTERNAL_DIVIDE_FACTOR	Divide-by factor of a divider in external feedback path	User specified value. Default 1	Specified only when there is a user-implemented divider in the external feedback path.
ENABLE_ICEGATE_PORTA	Enables the PLL power-down control	0	Power-down control disabled
		1	Power-down controlled by LATCHINPUTVALUE input
ENABLE_ICEGATE_PORTB	Enables the PLL power-down control	0	Power-down control disabled
		1	Power-down controlled by LATCHINPUTVALUE input

SB_PLL40_2F_CORE

The SB_PLL40_2F_CORE primitive should be used when PLL is used to generate 2 different output frequencies, and the source clock of the PLL is driven by FPGA routing i.e. when the PLL source clock originates on the FPGA.



Ports

REFERENCECLK: PLL source clock that serves as the input to the SB_PLL40_2F_CORE primitive.

PLLOUTGLOBALA: Output clock generated by the PLL, drives a global clock network on the FPGA.

PLLOUTCOREA: Output clock generated by the PLL, drives regular FPGA routing. The frequency generated on this output is the same as the frequency of the clock signal generated on the PLLOUTGLOBALA port.

PLLOUTGLOBALB: Output clock generated by the PLL, drives a global clock network on the FPGA.

PLLOUTCOREB: Output clock generated by the PLL, drives regular FPGA routing. The frequency generated on this output is the same as the frequency of the clock signal generated on the PLLOUTGLOBALB port.

LOCK: Output port, when HIGH, indicates that the signal on PLLOUTGLOBALB/PLLOUTCOREB is locked to the PLL source on PACKAGEPIN.

EXTFEEDBACK: External feedback input to PLL. Enabled when the *FEEDBACK_PATH* parameter is set to *EXTERNAL*.

DYNAMICDELAY: 4 bit input bus that enables dynamic control of the delay contributed by the Fine Delay Adjust Block. The Fine Delay Adjust Block is used when there is a need to adjust the phase alignment of *PLLOUTGLOBAL/PLLOUTCORE* with respect to *REFERENCECLK*. The *DYNAMICDELAY* port controls are enabled when the *DELAY_ADJUSTMENT_MODE* parameter is set to *DYNAMIC*.

RESETB: Active low input that asynchronously resets the PLL.

BYPASS: Input signal, when asserted, connects the signal on *REFERENCECLK* to *PLLOUTCORE/PLLOUTGLOBAL* pins.

LATCHINPUTVALUE: Active high input, when enabled, forces the PLL into low-power mode. The *PLLOUTGLOBALA/PLLOUTCOREA* pins are held static at their last value only when the parameter *ENABLE_ICEGATE_PORTA* is set to '1', and the *LATCHINPUTVALUE* signal is asserted. The *PLLOUTGLOBALB/PLLOUTCOREB* pins are held static at their last value only when the parameter *ENABLE_ICEGATE_PORTB* is set to '1', and the *LATCHINPUTVALUE* signal is asserted.

SCLK, *SDI*, *SDO*: These pins are used only for internal testing purposes, and need not be instantiated by users.

Parameters

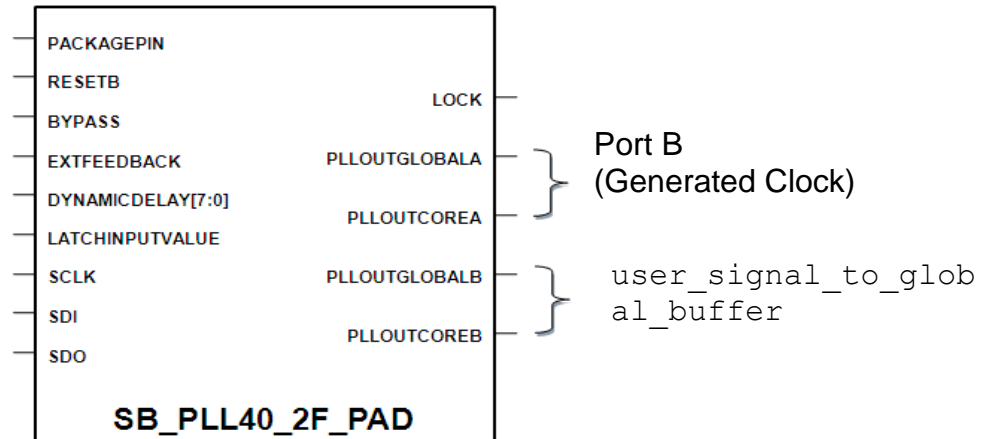
The *SB_PLL40_2F_CORE* primitive requires configuration through the specification of the following parameters. It is strongly recommended that the configuration of the PLL primitives be accomplished through the use of the PLL Configuration tool that is offered as part of the iCEcube2 software.

Parameter Name	Description	Parameter Value	Description
FEEDBACK_PATH	Selects the feedback path to the PLL	SIMPLE	Feedback is internal to the PLL, directly from VCO
		DELAY	Feedback is internal to the PLL, through the Fine Delay Adjust Block
		PHASE_AND_DELAY	Feedback is internal to the PLL, through the Phase Shifter and the Fine Delay Adjust Block
		EXTERNAL	Feedback path is external to the PLL, and connects to EXTFEEDBACK pin. Also uses the Fine Delay Adjust Block.
DELAY_ADJUSTMENT_MODE_FEEDBACK	Selects the mode for the Fine Delay Adjust block in the feedback path	FIXED	Delay of the Fine Delay Adjust Block is fixed, the value is specified by the FDA_FEEDBACK parameter setting
		DYNAMIC	Delay of Fine Delay Adjust Block is determined by the signal value at the DYNAMICDELAY[3:0] pins
FDA_FEEDBACK	Sets a constant value for the Fine Delay Adjust Block in the feedback path	0, 1,...,15	The PLLOUTGLOBALA & PLLOUTCOREA signals are delay compensated by $(n+1)*150$ ps, where $n = \text{FDA_FEEDBACK}$ only if the setting of the DELAY_ADJUSTMENT_MODE_FEEDBACK is FIXED.
DELAY_ADJUSTMENT_MODE_RELATIVE	Selects the mode for the Fine Delay Adjust block	FIXED	Delay of the Fine Delay Adjust Block is fixed, the value is specified by the FDA_RELATIVE parameter setting
		DYNAMIC	Delay of Fine Delay Adjust Block is determined by the signal value at the DYNAMICDELAY[7:4] pins
FDA_RELATIVE	Sets a constant value for the Fine Delay Adjust Block	0, 1,...,15	The PLLOUTGLOBALA & PLLOUTCOREA signals are delayed w.r.t. the Port B signals, by $(n+1)*150$ ps, where $n = \text{FDA_RELATIVE}$. Used if DELAY_ADJUSTMENT_MODE_RELATIVE is "FIXED".
SHIFTREG_DIV_MODE	Selects shift register configuration	0,1	Used when FEEDBACK_PATH is "PHASE_AND_DELAY". 0→Divide by 4 1→Divide by 7
PLLOUT_SELECT_PORTA	Selects the signal to be output at the PLLOUTCOREA and PLLOUTGLOBALA ports	SHIFTREG_0deg	0° phase shift only if the setting of FEEDBACK_PATH is "PHASE_AND_DELAY"
		SHIFTREG_90deg	90° phase shift only if the setting of FEEDBACK_PATH is "PHASE_AND_DELAY" and SHIFTREG_DIV_MODE=0
		GENCLK	The internally generated PLL frequency will be output to PortA. No phase shift.
		GENCLK_HALF	The internally generated PLL frequency will be divided by 2 and then output to PORTA. No phase shift.

PLLOUT_SELECT_PORTB	Selects the signal to be output at the PLLOUTCOREB and PLLOUTGLOBALB ports	SHIFTRREG_0deg	0° phase shift only if the setting of FEEDBACK_PATH is "PHASE_AND_DELAY"
		SHIFTRREG_90deg	90° phase shift only if the setting of FEEDBACK_PATH is "PHASE_AND_DELAY" and SHIFTRREG_DIV_MODE=0
		GENCLK	The internally generated PLL frequency will be output to PortB. No phase shift.
		GENCLK_HALF	The internally generated PLL frequency will be divided by 2 and then output to PORTB. No phase shift.
DIVR	REFERENCECLK divider	0,1,2,...,15	These parameters are used to control the output frequency, depending on the FEEDBACK_PATH setting.
DIVF	Feedback divider	0,1,...,63	
DIVQ	VCO Divider	1,2,...,6	
FILTER_RANGE	PLL Filter Range	0,1,...,7	
EXTERNAL_DIVIDE_FACTOR	Divide-by factor of a divider in external feedback path	User specified value. Default 1	Specified only when there is a user-implemented divider in the external feedback path.
ENABLE_ICEGATE_PORTA	Enables the PLL power-down control	0	Power-down control disabled
		1	Power-down controlled by LATCHINPUTVALUE input
ENABLE_ICEGATE_PORTB	Enables the PLL power-down control	0	Power-down control disabled
		1	Power-down controlled by LATCHINPUTVALUE input

SB_PLL40_2F_PAD

The SB_PLL40_2F_PAD primitive should be used when the PLL is used to generate 2 different output frequencies, and the source clock of the PLL is driven by an input pad located in the bottom IO bank (IO Bank 2) or the top IO bank (IO Bank 0).



Ports

PACKAGEPIN: PLL REFERENCE CLOCK pin that serves as the input to the SB_PLL40_2F_PAD primitive.

PLLOUTGLOBALA: Output clock generated by the PLL, drives a global clock network on the FPGA.

PLLOUTCOREA: Output clock generated by the PLL, drives regular FPGA routing. The frequency generated on this output is the same as the frequency of the clock signal generated on the PLLOUTGLOBALA port.

PLLOUTGLOBALB: Output clock generated by the PLL, drives a global clock network on the FPGA.

PLLOUTCOREB: Output clock generated by the PLL, drives regular FPGA routing. The frequency generated on this output is the same as the frequency of the clock signal generated on the PLLOUTGLOBALB port.

LOCK: Output port, when HIGH, indicates that the signal on PLLOUTGLOBALB/PLLOUTCOREB is locked to the PLL source on PACKAGEPIN.

EXTFEEDBACK: External feedback input to PLL. Enabled when the FEEDBACK_PATH parameter is set to EXTERNAL.

DYNAMICDELAY: 4 bit input bus that enables dynamic control of the delay contributed by the Fine Delay Adjust Block. The Fine Delay Adjust Block is used when there is a need to adjust the phase alignment of PLLOUTGLOBAL/PLLOUTCORE with respect to PACKAGEPIN. The DYNAMICDELAY port controls are enabled when the DELAY_ADJUSTMENT_MODE parameter is set to DYNAMIC.

RESETB: Active low input that asynchronously resets the PLL.

BYPASS: Input signal, when asserted, connects the signal on PACKAGEPIN to PLLOUTCORE/PLLOUTGLOBAL pins.

LATCHINPUTVALUE: Active high input, when enabled, forces the PLL into low-power mode. The PLLOUTGLOBALA/PLLOUTCOREA pins are held static at their last value only when the parameter ENABLE_ICEGATE_PORTA is set to '1', and the LATCHINPUTVALUE signal is asserted. The PLLOUTGLOBALB/PLLOUTCOREB pins are held static at their last value only when the parameter ENABLE_ICEGATE_PORTB is set to '1', and the LATCHINPUTVALUE signal is asserted.

SCLK, SDI, SDO: These pins are used only for internal testing purposes, and need not be instantiated by users.

Parameters

The SB_PLL40_2F_PAD primitive requires configuration through the specification of the following parameters. It is strongly recommended that the configuration of the PLL primitives be accomplished through the use of the PLL Configuration tool that is offered as part of the iCEcube2 software.

Parameter Name	Description	Parameter Value	Description
FEEDBACK_PATH	Selects the feedback path to the PLL	SIMPLE	Feedback is internal to the PLL, directly from VCO
		DELAY	Feedback is internal to the PLL, through the Fine Delay Adjust Block
		PHASE_AND_DELAY	Feedback is internal to the PLL, through the Phase Shifter and the Fine Delay Adjust Block
		EXTERNAL	Feedback path is external to the PLL, and connects to EXTFEEDBACK pin. Also uses the Fine Delay Adjust Block.
DELAY_ADJUSTMENT_MODE_FEEDBACK	Selects the mode for the Fine Delay Adjust block in the feedback path	FIXED	Delay of the Fine Delay Adjust Block is fixed, the value is specified by the FDA_FEEDBACK parameter setting
		DYNAMIC	Delay of Fine Delay Adjust Block is determined by the signal value at the DYNAMICDELAY[3:0] pins
FDA_FEEDBACK	Sets a constant value for the Fine Delay Adjust Block in the feedback path	0, 1,...,15	The PLLOUTGLOBALA & PLLOUTCOREA signals are delay compensated by $(n+1)*150$ ps, where $n = \text{FDA_FEEDBACK}$ only if the setting of the DELAY_ADJUSTMENT_MODE_FEEDBACK is FIXED.
DELAY_ADJUSTMENT_MODE_RELATIVE	Selects the mode for the Fine Delay Adjust block	FIXED	Delay of the Fine Delay Adjust Block is fixed, the value is specified by the FDA_RELATIVE parameter setting
		DYNAMIC	Delay of Fine Delay Adjust Block is determined by the signal value at the DYNAMICDELAY[7:4] pins
FDA_RELATIVE	Sets a constant value for the Fine Delay Adjust Block	0, 1,...,15	The PLLOUTGLOBALA & PLLOUTCOREA signals are delayed w.r.t. the Port B signals, by $(n+1)*150$ ps, where $n = \text{FDA_RELATIVE}$. Used if DELAY_ADJUSTMENT_MODE_RELATIVE is "FIXED".
SHIFTREG_DIV_MODE	Selects shift register configuration	0,1	Used when FEEDBACK_PATH is "PHASE_AND_DELAY". 0→Divide by 4 1→Divide by 7
PLLOUT_SELECT_PORTA	Selects the signal to be output at the PLLOUTCOREA and PLLOUTGLOBALA ports	SHIFTREG_0deg	0° phase shift only if the setting of FEEDBACK_PATH is "PHASE_AND_DELAY"
		SHIFTREG_90deg	90° phase shift only if the setting of FEEDBACK_PATH is "PHASE_AND_DELAY" and SHIFTREG_DIV_MODE=0
		GENCLK	The internally generated PLL frequency will be output to PortA. No phase shift.
		GENCLK_HALF	The internally generated PLL frequency will be divided by 2 and then output to PORTA. No phase shift.

PLLOUT_SELECT_PORTB	Selects the signal to be output at the PLLOUTCOREB and PLLOUTGLOBALB ports	SHIFTRREG_0deg	0° phase shift only if the setting of FEEDBACK_PATH is "PHASE_AND_DELAY"
		SHIFTRREG_90deg	90° phase shift only if the setting of FEEDBACK_PATH is "PHASE_AND_DELAY" and SHIFTRREG_DIV_MODE=0
		GENCLK	The internally generated PLL frequency will be output to PortB. No phase shift.
		GENCLK_HALF	The internally generated PLL frequency will be divided by 2 and then output to PORTB. No phase shift.
DIVR	REFERENCECLK divider	0,1,2,...,15	These parameters are used to control the output frequency, depending on the FEEDBACK_PATH setting.
DIVF	Feedback divider	0,1,...,63	
DIVQ	VCO Divider	1,2,...,6	
FILTER_RANGE	PLL Filter Range	0,1,...,7	
EXTERNAL_DIVIDE_FACTOR	Divide-by factor of a divider in external feedback path	User specified value. Default 1	Specified only when there is a user-implemented divider in the external feedback path.
ENABLE_ICEGATE_PORTA	Enables the PLL power-down control	0	Power-down control disabled
		1	Power-down controlled by LATCHINPUTVALUE input
ENABLE_ICEGATE_PORTB	Enables the PLL power-down control	0	Power-down control disabled
		1	Power-down controlled by LATCHINPUTVALUE input

Hard Macro Primitives

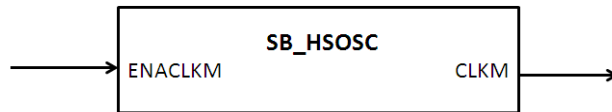
ICE40LM Hard Macros

This section describes the following dedicated hard macro primitives available in iCE40LM devices.

- SB_HSOSC (macro primitive for HSSG)
- SB_LSOSC (macro primitive for LPSG)
- SB_I2C
- SB_SPI

SB_HSOSC (For HSSG)

SB_HSOSC primitive can be used to instantiate High Speed Strobe Generator (HSSG), which generates 12 MHz strobe signal. The strobe can drive either the global clock network or fabric routes directly based on the clock network selection.



Ports

SB_HSOSC Ports		
Signal Name	Direction	Description
ENACLKM	Input	Enable High Speed Strobe Generator. Active High.
CLKM	Output	Strobe Generator Output (12Mhz).

Clock Network Selection

By default the strobe generator use one of the dedicated clock networks in the device to drive the elements. The user may configure the strobe generator to use the fabric routes instead of global clock network using the synthesis attributes.

Synthesis Attribute

```
/* synthesis ROUTE_THROUGH_FABRIC=<value> */
```

Value:

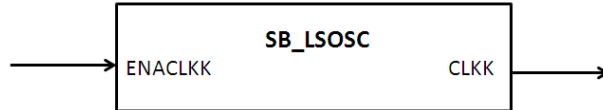
- 0: Use dedicated clock network. Default option.
- 1: Use fabric routes.

Verilog Instantiation

```
SB_HSOSC OSCInst0 (  
    .ENACLKM(ENACLKM),  
    .CLKM(CLKM)  
) /* synthesis ROUTE_THROUGH_FABRIC= [0|1] */;
```

SB_LSOSC (For LPSG)

SB_LSOSC primitive can instantiate Low Power Strobe Generator (LPSG), which generates 10 KHz strobe signal. The strobe can drive either the global clock network or fabric routes directly based on the clock network selection.



Ports

SB_LSOSC Ports		
Signal Name	Direction	Description
ENACLKK	Input	Enable Low Power Strobe Generator. Active High.
CLKK	Output	Strobe Generator Output (10Khz).

Clock Network Selection

By default the strobe generator use one of the dedicated clock networks in the device to drive the elements. The user may configure the strobe generator to use the fabric routes instead of global clock network using the synthesis attribute.

Synthesis Attribute:

```
/* synthesis ROUTE_THROUGH_FABRIC=<value> */
```

Value:

0: Use dedicated clock network. Default option.

1: Use fabric routes.

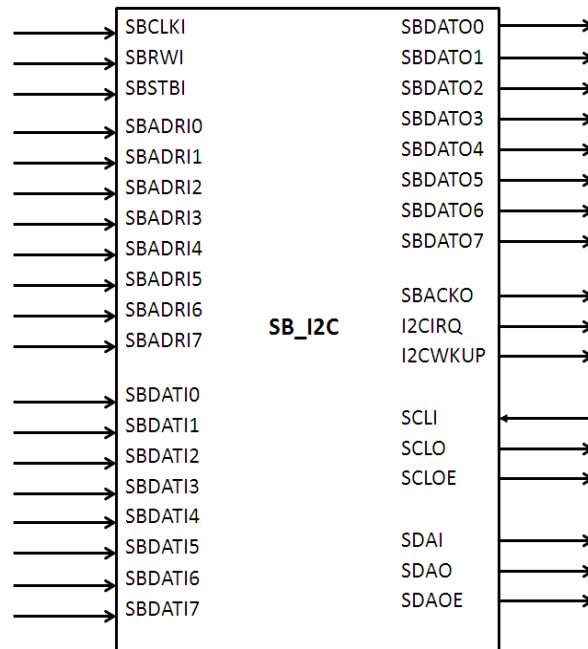
Verilog Instantiation

```
SB_LSOSC OSCInst0 (  
    .ENACLKK(ENACLKK),  
    .CLKK(CLKK)  
) /* synthesis ROUTE_THROUGH_FABRIC= [0|1] */;
```

SB_I2C

The I2C hard IP provides industry standard two pin communication interface that conforms to V2.1 of the I2C bus specification. It could be configured as either master or slave port. In master mode, it support configurable data transfer rate and perform arbitration detection to allow it to operate in multi-master systems. It supports both 7 bits and 10 bits addressing in slave mode with configurable slave address and clock stretching in both master and slave mode with enable/disable capability.

iCE40LM device supports two I2C hard IP primitives , located at upper left corner and upper right corner of the chip.



Ports

SB_I2C Ports		
Signal Name	Direction	Description
SBCLKI	Input	System Clock input.
SBRWI	Input	System Read/Write Input.
SBSTBI	Input	Strobe Signal
SBADRI0	Input	System Bus Control registers address. Bit 0.
SBADRI1	Input	System Bus Control registers address. Bit 1.
SBADRI2	Input	System Bus Control registers address. Bit 2.
SBADRI3	Input	System Bus Control registers address. Bit 3.
SBADRI4	Input	System Bus Control registers address. Bit 4.
SBADRI5	Input	System Bus Control registers address. Bit 5.
SBADRI6	Input	System Bus Control registers address. Bit 6.
SBADRI7	Input	System Bus Control registers address. Bit 7.
SBDATI0	Input	System Data Input. Bit 0.
SBDATI1	Input	System Data input. Bit 1.
SBDATI2	Input	System Data input. Bit 2.
SBDATI3	Input	System Data input. Bit 3.
SBDATI4	Input	System Data input. Bit 4.
SBDATI5	Input	System Data input. Bit 5.
SBDATI6	Input	System Data input. Bit 6.
SBDATI7	Input	System Data input. Bit 7.
SBDATO0	Output	System Data Output. Bit 0.
SBDATO1	Output	System Data Output. Bit 1.
SBDATO2	Output	System Data Output. Bit 2.
SBDATO3	Output	System Data Output. Bit 3.
SBDATO4	Output	System Data Output. Bit 4.
SBDATO5	Output	System Data Output. Bit 5.
SBDATO6	Output	System Data Output. Bit 6.
SBDATO7	Output	System Data Output. Bit 7.

SBACKO	Output	System Acknowledgement.
I2CIRQ	Output	I2C Interrupt output.
I2CWKUP	Output	I2C Wake Up from Standby signal.
SCLI	Input	Serial Clock Input.
SCLO	Output	Serial Clock Output
SCLOE	Output	Serial Clock Output Enable. Active High.
SDAI	Input	Serial Data Input
SDAO	Output	Serial Data Output
SDAOE	Output	Serial Data Output Enable. Active High.

Parameters

I2C Primitive requires configuring certain parameters for slave initial address and selecting I2C IP location.

I2C Location	Parameters	Parameter Default Value.	Description.
Upper Left Corner	I2C_SLAVE_INIT_ADDR	0b1111100001	Upper Bits <9:2> can be changed through control registers. Lower bits <1:0> are fixed.
	BUS_ADDR74	0b0001	Fixed value. SBADRI [7:4] bits also should match with this value to activate the IP.
Upper Right Corner	I2C_SLAVE_INIT_ADDR	0b1111100010	Upper Bits <9:2> can be changed through control registers. Lower bits <1:0> are fixed.
	BUS_ADDR74	0b0011	Fixed value. SBADRI [7:4] bits also should match with this value to activate the IP.

Synthesis Attribute

Synthesis attribute "I2C_CLK_DIVIDER" is used by PNR and STA tools for optimization and deriving the appropriate clock frequency at SCLO output with respect to the SBCLKI input clock frequency.

```
/* synthesis I2C_CLK_DIVIDER=[Divide Range] */
```

Divide Range : 0, 1, 2, 3 ... 1023. Default is 0.

Verilog Instantiation

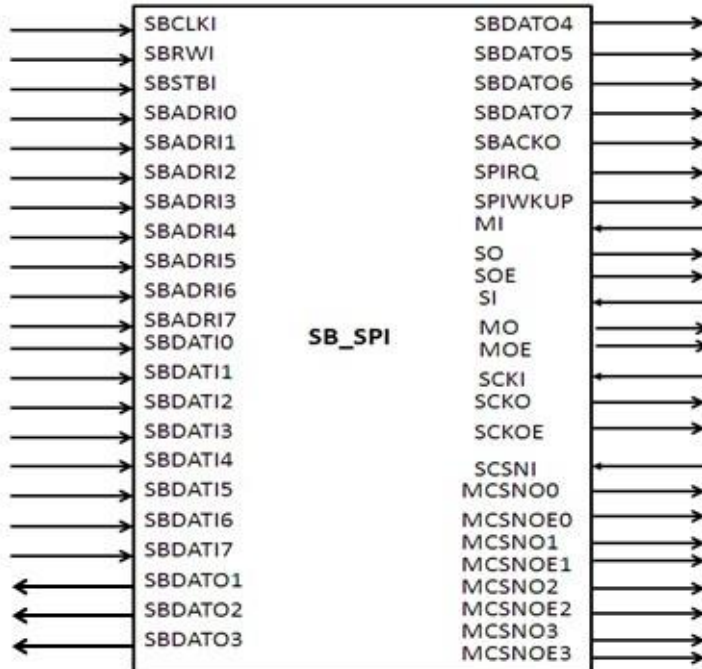
```
SB_I2C i2cInst0 (
    .SBCLKI(sbc1ki),
    .SBRWI(sbrwi),
    .SBSTBI(sbstbi),
    .SBADRI7(sbadri[7]),
    .SBADRI6(sbadri[6]),
    .SBADRI5(sbadri[5]),
    .SBADRI4(sbadri[4]),
    .SBADRI3(sbadri[3]),
    .SBADRI2(sbadri[2]),
    .SBADRI1(sbadri[1]),
    .SBADRI0(sbadri[0]),
    .SBDATI7(sbdati[7]),
    .SBDATI6(sbdati[6]),
    .SBDATI5(sbdati[5]),
    .SBDATI4(sbdati[4]),
    .SBDATI3(sbdati[3]),
    .SBDATI2(sbdati[2]),
    .SBDATI1(sbdati[1]),
    .SBDATI0(sbdati[0]),
    .SCLI(scli),
    .SDAI(sdai),
    .SBDATO7(sbdato[7]),
    .SBDATO6(sbdato[6]),
    .SBDATO5(sbdato[5]),
    .SBDATO4(sbdato[4]),
    .SBDATO3(sbdato[3]),
    .SBDATO2(sbdato[2]),
    .SBDATO1(sbdato[1]),
    .SBDATO0(sbdato[0]),
    .SBACKO(sbacko),
    .I2CIRQ(i2cirq),
    .I2CWKUP(i2cwkup),
    .SCLO(sclo),
    .SCLOE(scloe),
    .SDAO(sdao),
    .SDAOE(sdaoe)
)/* synthesis I2C_CLK_DIVIDER= 1 */;

defparam i2cInst0.I2C_SLAVE_INIT_ADDR = "0b1111100001";
defparam i2cInst0.BUS_ADDR74 = "0b0001";
```

SB_SPI

The SPI hard IP provide industry standard four-pin communication interface with 8 bit wide System Bus to communicate with System Host. It could be configured as Master or Slave SPI port with separate Chip Select Pin. In master mode, it provides programmable baud rate, and supports CS HOLD capability for multiple transfers. It provides variety status flags, such as Mode Fault Error flag, Transmit/Receive status flag etc. for easy communicate with system host.

iCE40LM device supports two SPI hard IP primitives, located at lower left corner and lower right corner of the chip.



Ports

SB_SPI Ports		
Signal Name	Direction	Description
SBCLKI	Input	System Clock input.
SBRWI	Input	System Read/Write Input.
SBSTBI	Input	Strobe Signal
SBADRI0	Input	System Bus Control registers address. Bit 0.
SBADRI1	Input	System Bus Control registers address. Bit 1.
SBADRI2	Input	System Bus Control registers address. Bit 2.
SBADRI3	Input	System Bus Control registers address. Bit 3.
SBADRI4	Input	System Bus Control registers address. Bit 4.
SBADRI5	Input	System Bus Control registers address. Bit 5.
SBADRI6	Input	System Bus Control registers address. Bit 6.
SBADRI7	Input	System Bus Control registers address. Bit 7.
SBDATI0	Input	System Data Input. Bit 0.
SBDATI1	Input	System Data input. Bit 1.
SBDATI2	Input	System Data input. Bit 2.
SBDATI3	Input	System Data input. Bit 3.
SBDATI4	Input	System Data input. Bit 4.
SBDATI5	Input	System Data input. Bit 5.
SBDATI6	Input	System Data input. Bit 6.
SBDATI7	Input	System Data input. Bit 7.
SBDATO0	Input	System Data Output. Bit 0.
SBDATO1	Input	System Data Output. Bit 1.
SBDATO2	Input	System Data Output. Bit 2.
SBDATO3	Input	System Data Output. Bit 3.
SBDATO4	Input	System Data Output. Bit 4.
SBDATO5	Input	System Data Output. Bit 5.
SBDATO6	Input	System Data Output. Bit 6.

SBDAT07	Input	System Data Output. Bit 7.
SBACKO	Output	System Acknowledgement
SPIIRQ	Output	SPI Interrupt output.
SPIWKUP	Output	SPI Wake Up from Standby signal.
MI	Input	Master Input from PAD
SO	Output	Slave Output to PAD
SOE	Output	Slave Output Enable to PAD. Active High.
SI	Input	Slave Input from PAD
MO	Output	Master Output to PAD
MOE	Output	Master Output Enable to PAD. Active High
SCKI	Input	Slave Clock Input From PAD
SCKO	Output	Slave Clock Output to PAD
SCKOE	Output	Slave Clock Output Enable to PAD. Active High.
SCSNI	Input	Slave Chip Select Input From PAD
MCSNO0	Output	Master Chip Select Output to PAD. Line 0.
MCSNO1	Output	Master Chip Select Output to PAD. Line 1.
MCSNO2	Output	Master Chip Select Output to PAD. Line 2.
MCSNO3	Output	Master Chip Select Output to PAD. Line 3.
MCSNOE0	Output	Master Chip Select Output Enable to PAD. Active High. Line 0.
MCSNOE1	Output	Master Chip Select Output Enable to PAD. Active High. Line 1
MCSNOE2	Output	Master Chip Select Output Enable to PAD. Active High. Line 2
MCSNOE3	Output	Master Chip Select Output Enable to PAD. Active High. Line 3

Parameters

SPI Primitive requires configuring a parameter for selecting the SPI IP location.

I2C Location	Parameters	Parameter Default Value.	Description.
Lower Left Corner	BUS_ADDR74	0b0000	Fixed value. SBADRI [7:4] bits also should match with this value to activate the IP.
Lower Right Corner	BUS_ADDR74	0b0001	Fixed value. SBADRI [7:4] bits also should match with this value to activate the IP.

Synthesis Attribute

Synthesis attribute "SPI_CLK_DIVIDER" is used by PNR and STA tools for optimization and deriving the appropriate clock frequency at SCKO output with respect to the SBCLKI input clock frequency.

/* synthesis SPI_CLK_DIVIDER= [Divide Range] */

Divide Range : 0, 1, 2, 3...63. Default is 0.

Verilog Instantiation

```
SB_SPI spiInst0 (
    .SBCLKI(sbc1ki),
    .SBRWI(sbrwi),
    .SBSTBI(sbstbi),
    .SBADRI7(sbadri[7]),
    .SBADRI6(sbadri[6]),
    .SBADRI5(sbadri[5]),
    .SBADRI4(sbadri[4]),
    .SBADRI3(sbadri[3]),
    .SBADRI2(sbadri[2]),
    .SBADRI1(sbadri[1]),
    .SBADRI0(sbadri[0]),
    .SBDATI7(sbdati[7]),
    .SBDATI6(sbdati[6]),
    .SBDATI5(sbdati[5]),
    .SBDATI4(sbdati[4]),
    .SBDATI3(sbdati[3]),
    .SBDATI2(sbdati[2]),
    .SBDATI1(sbdati[1]),
    .SBDATI0(sbdati[0]),
    .MI(mi),
    .SI(si),
    .SCKI(scki),
    .SCSNI(scsni),
    .SBDATO7(sbdato[7]),
    .SBDATO6(sbdato[6]),
    .SBDATO5(sbdato[5]),
    .SBDATO4(sbdato[4]),
    .SBDATO3(sbdato[3]),
    .SBDATO2(sbdato[2]),
    .SBDATO1(sbdato[1]),
    .SBDATO0(sbdato[0]),
    .SBACKO(sbacko),
    .SPIIRQ(spiirq),
    .SPIWKUP(spiwkup),
    .SO(so),
    .SOE(soe),
    .MO(mo),
    .MOE(moe),
    .SCKO(scko),
    .SCKOE(sckoe),
    .MCSNO3(mcsno_hi[3]),
    .MCSNO2(mcsno_hi[2]),
    .MCSNO1(mcsno_lo[1]),
    .MCSNO0(mcsno_lo[0]),
    .MCSNOE3(mcsnoe_hi[3]),
    .MCSNOE2(mcsnoe_hi[2]),
    .MCSNOE1(mcsnoe_lo[1]),
    .MCSNOE0(mcsnoe_lo[0])
) /* synthesis SPI_CLK_DIVIDER = "1" */;

defparam spiInst0.BUS_ADDR74 = "0b0000";
```

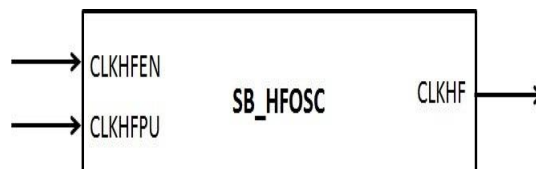

iCE5LP (iCE40 Ultra) Hard Macros

This section describes the following dedicated hard macro primitives available in iCE5LP (iCE40 Ultra) devices.

SB_HFOSC
 SB_LFOSC
 SB_LED_DRV_CUR
 SB_RGB_DRV
 SB_IR_DRV
 SB_IO_OD
 SB_I2C
 SB_SPI
 SB_MAC16

SB_HFOSC

SB_HFOSC primitive generates 48MHz nominal clock frequency within +/- 10% variation, with user programmable divider value of 1, 2, 4, and 8. The HFOSC can drive either the global clock network or fabric routes directly based on the clock network selection.



Ports

SB_HFOSC Ports		
Signal Name	Direction	Description
CLKHFPU	Input	Power up the HFOSC circuit. After power up, oscillator output will be stable after 100us. Active High.
CLKHFEN	Input	Enable the clock output. Enable should be low for the 100us power up period. Active High.
CLKHF	Output	HF Oscillator output.

Parameters

Parameter	Parameter Values.	Description.
CLKHF_DIV	"0b00"	Sets 48MHz HFOSC output.
	"0b01"	Sets 24MHz HFOSC output.
	"0b10"	Sets 12MHz HFOSC output.
	"0b11"	Sets 6MHz HFOSC output.

Default Signal Values

The iCEcube2 software assigns the following signal value to unconnected port:

Input CLKHFEN: Logic "0"

Input CLKHFPU: Logic "0"

Clock Network Selection

By default the oscillator use one of the dedicated clock networks in the device to drive the elements. The user may configure the oscillator to use the fabric routes instead of global clock network using the synthesis attribute.

Synthesis Attributes

```
/* synthesis ROUTE_THROUGH_FABRIC = <value> */
```

Value:

0: Use dedicated clock network. Default option.

1: Use fabric routes.

Verilog Instantiation

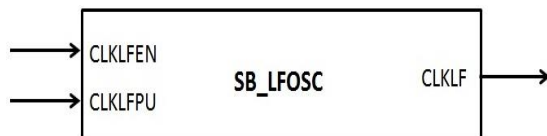
```
SB_HFOSC OSCInst0 (  
  .CLKHFEN(ENCLKHF),  
  .CLKHFPU(CLKHF_POWERUP),  
  .CLKHF(CLKHF)  
) /* synthesis ROUTE_THROUGH_FABRIC= [0|1] */;
```

```
defparam OSCInst0.CLKHF_DIV = "0b00";
```

SB_LFOSC

SB_LFOSC primitive generates 10 KHz nominal clock frequency within +/- 10% variation. There is no divider on the LFOSC.

The LFOSC can drive either the global clock network or fabric routes directly based on the clock network selection



Ports

SB_LFOSC Ports		
Signal Name	Direction	Description
CLKLFPU	Input	Power up the LFOSC circuit. After power up, oscillator output will be stable after 100us. Active High.
CLKLFEN	Input	Enable the clock output. Enable should be low for the 100us power up period. Active High.
CLKLF	Output	LF Oscillator output.

Default Signal Values

The iCEcube2 software assigns the following signal value to unconnected port:

Input CLKLFEN: Logic "0"

Input CLKLFPU: Logic "0"

Clock Network Selection

By default the oscillator use one of the dedicated clock networks in the device to drive the elements. The user may configure the oscillator to use the fabric routes instead of global clock network using the synthesis attribute.

Synthesis Attributes

```
/* synthesis ROUTE_THROUGH_FABRIC = <value> */
```

Value:

0: Use dedicated clock network. Default option.

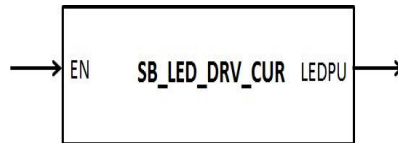
1: Use fabric routes.

Verilog Instantiation

```
SB_LFOSC OSCInst1 (  
    .CLKLFEN(ENCLKLF),  
    .CLKLFPU(CLKLF_POWERUP),  
    .CLKLF(CLKLF)  
) /* synthesis ROUTE_THROUGH_FABRIC= [0|1] */;
```

SB_LED_DRV_CUR

SB_LED_DRV_CUR primitive generates the constant reference current required to power up the SB_RGB_DRV and SB_IR_DRV primitives.



Ports

SB_LED_DRV_CUR Ports		
Signal Name	Direction	Description
EN	Input	Enable to generate constant current source for SB_RGB_DRV and SB_IR_DRV primitives. After Enable, reference current value will be stable after 100us. Active High.
LEDPU	Output	Power up signal for SB_RGB_DRV and SB_IR_DRV primitives. This port should be connected only to RGBPU/IRPU pins of SB_RGB_DRV and SB_IR_DRV primitives.

Default Signal Values

The iCEcube2 software assigns the following signal value to unconnected port:

Input EN : Logic "0"

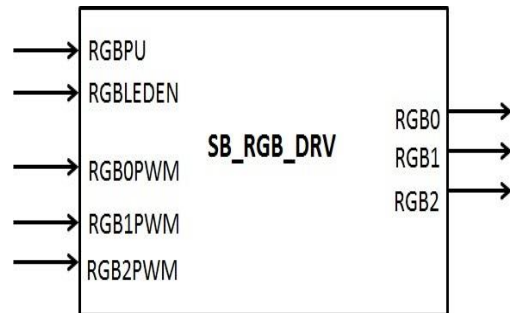
Verilog Instantiation

```
SB_LED_DRV_CUR    LED_CUR_inst
(
    .EN(enable_led_current),
    .LEDPU(led_power_up)
);
```

SB_RGB_DRV

SB_RGB_DRV primitive contains 3 dedicated open drain I/O pins for RGB LED outputs. Each of the RGB LED output is bonded out together with an SB_IO_OD primitive to the package pin. User can either use SB_RGB_DRV primitive or the SB_IO_OD primitive to drive the package pin, but not both.

The primitive allows configuration of each of the 3 RGB LED outputs individually. When the RGBx_CURRENT parameter of RGBx output is set to "0b000000", then SB_IO_OD can be used to drive the package pin.



Ports

SB_RGB_DRV Ports		
Signal Name	Direction	Description
RGBLEDEN	Input	Enable the SB_RGB_DRV primitive. Active High.
RGBPU	Input	Power Up Signal. Connect to LEDPU port of SB_LED_DRV_CUR primitive.
RGB0PWM	Input	Input data to drive RGB0 LED pin. This input is usually driven from the SB_LEDD_IP.
RGB1PWM	Input	Input data to drive RGB1 LED pin. This input is usually driven from the SB_LEDD_IP.
RGB2PWM	Input	Input data to drive RGB2 LED pin. This input is usually driven from the SB_LEDD_IP.
RGB0	Output	RGB0 LED output.
RGB1	Output	RGB1 LED output.
RGB2	Output	RGB2 LED output.

Default Signal Values

The iCEcube2 software assigns the following signal value to unconnected port:

```
Input RGBLEDEN    : Logic "0"
Input RGB0PWM     : Logic "0"
Input RGB1PWM     : Logic "0"
```

Input RGB2PWM : Logic "0"
Input RGBPU : Logic "0"

Parameters

The SB_RGB_DRV primitive contains the following parameter and their default values:

```
Parameter RGB0_CURRENT = "0b000000";  
Parameter RGB1_CURRENT = "0b000000";  
Parameter RGB2_CURRENT = "0b000000";
```

Parameter values:

```
"0b000000" = 0mA. // Set this value to use the associated SB_IO_OD instance at RGB  
// LED location.  
"0b000001" = 4mA.  
"0b000011" = 8mA.  
"0b000111" = 12mA.  
"0b001111" = 16mA.  
"0b011111" = 20mA.  
"0b111111" = 24mA.
```

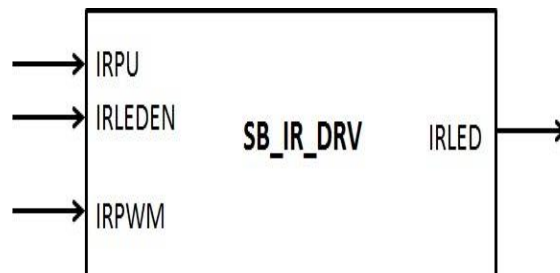
Verilog Instantiation

```
SB_RGB_DRV RGB_DRIVER (  
    .RGBLEDEN(ENABLE_LED),  
    .RGB0PWM(RGB0),  
    .RGB1PWM(RGB1),  
    .RGB2PWM(RGB2),  
    .RGBPU(led_power_up),  
    .RGB0(LED0),  
    .RGB1(LED1),  
    .RGB2(LED2)  
);  
  
defparam RGB_DRIVER.RGB0_CURRENT = "0b111111";  
defparam RGB_DRIVER.RGB1_CURRENT = "0b111111";  
defparam RGB_DRIVER.RGB2_CURRENT = "0b111111";
```

SB_IR_DRV

SB_IR_DRV primitive contains a single dedicated open drain I/O pin for IRLED output. The IRLED output is bonded out together with an SB_IO_OD primitive to the package pin. User can either use SB_IR_DRV primitive or the SB_IO_OD primitive to drive the package pin, but not both.

When the IR_CURRENT parameter is set to "0b0000000000", then SB_IO_OD can be used to drive the package pin.



Ports

SB_IR_DRV Ports		
Signal Name	Direction	Description
IRLEDEN	Input	Enable the SB_IR_DRV primitive. Active High.
IRPU	Input	Power Up Signal. Connect to LEDPU port of SB_LED_DRV_CUR primitive.
IRPWM	Input	PWM Input data to drive IRLED pin.
IRLED	Output	IR LED output.

Default Signal Values

The iCEcube2 software assigns the following signal value to unconnected port:

Input IRLEDEN : Logic "0"
Input IRPWM : Logic "0"

Parameter

The SB_IR_DRV primitive contains the following parameter and their default values:

Parameter IR_CURRENT = "0b0000000000";

Parameter Values:

```
"0b0000000000"; = 0mA. // Set this value to use the associated SB_IO_OD instance at  
// IR LED location.  
"0b0000000001"; = 50mA  
"0b0000000011"; = 100mA  
"0b0000000111"; = 150mA  
"0b0000001111"; = 200mA  
"0b0000011111"; = 250mA  
"0b0000111111"; = 300mA  
"0b0001111111"; = 350mA  
"0b0011111111"; = 400mA  
"0b0111111111"; = 450mA  
"0b1111111111"; = 500mA
```

Verilog Instantiation

```
SB_IR_DRV IRDRVinst (  
    .IRLEDEN(ENABLE_IRLED),  
    .IRPWM(IR_INPUT),  
    .IRPU(led_power_up),  
    .IRLED(IR_LED)  
);  
defparam IRDRVinst.IR_CURRENT = "0b1111111111";
```

SB_RGB_IP

SB_RGB_IP primitive generates the 3 RGB PWM outputs, to be connected to the LED drivers.



Ports

SB_RGB_IP Ports		
Signal Name	Direction	Description
CLK	Input	Clock Input.
RST	Input	Asynchronous Reset Input.
PARAMSOK	Input	Enable signal to sample the rgb data.
RGBCOLOR[3:0]	Input	4 bit rgb color data input
BRIGHTNESS[3:0]	Input	4 bit rgb brightness data input
BREATHRAMP[3:0]	Input	4 bit breathramp data input
BLINKRATE[3:0]	Input	4 bit blinkrate data input
REDPWM	Output	RED PWM output.
GREENPWM	Output	GREEN PWM output.
BLUEPWM	Output	BLUE PWM output.

Default Signal Values

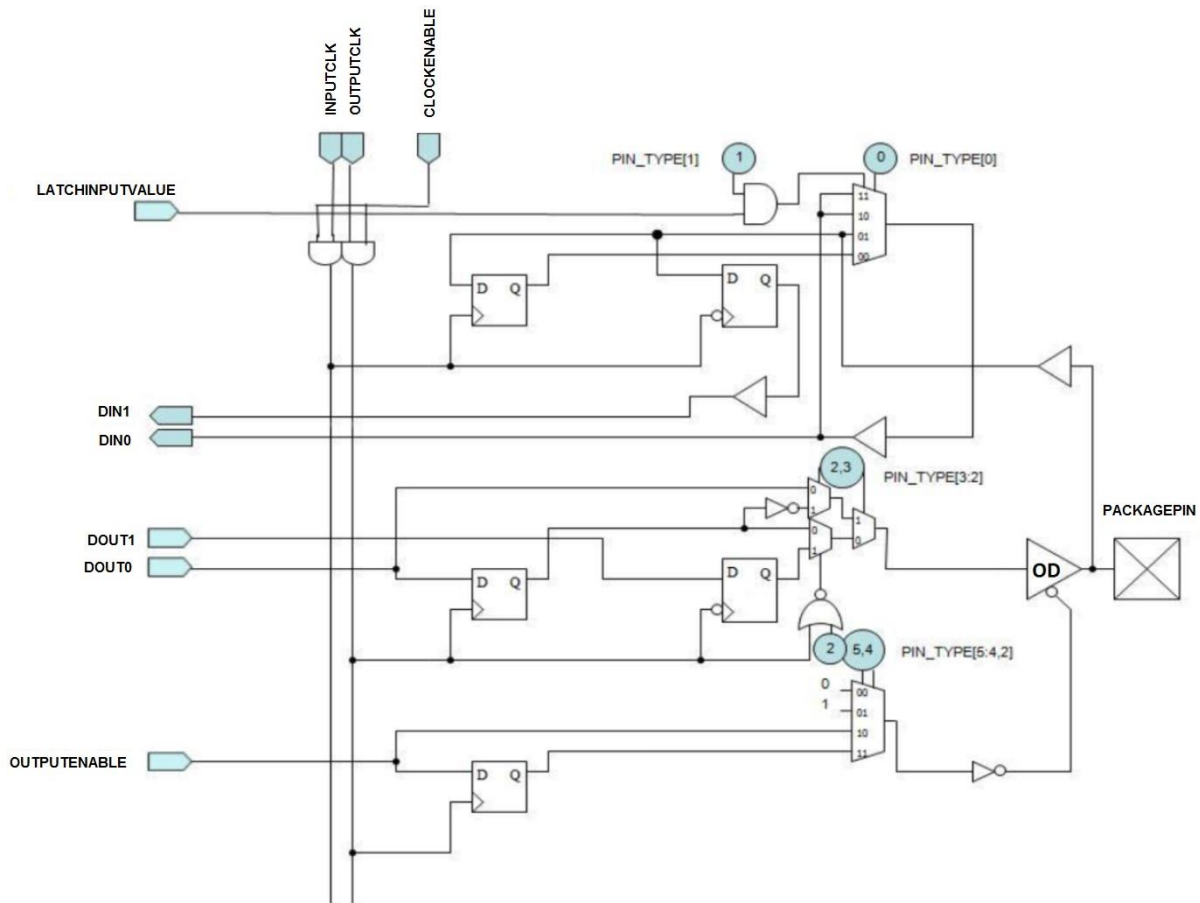
The iCEcube2 software assigns the logic “0” value to all unconnected input ports.

Verilog Instantiation

```
SB_RGB_IP RGBPWMIP_inst(
    .CLK (CLK),
    .RST (RST), // Async rst
    .PARAMSOK (PARAMSOK),
    .RGBCOLOR (RGBCOLOR),
    .BRIGHTNESS (BRIGHTNESS),
    .BREATHRAMP (BREATHRAMP),
    .BLINKRATE (BLINKRATE),
    .REDPWM (REDPWM),
    .GREENPWM (GREENPWM),
    .BLUEPWM (BLUEPWM)
);
```

SB_IO_OD

The SB_IO_OD is the open drain IO primitive. When the Tristate output is enabled, the IO pulls down the package pin signal to zero. The following figure and Verilog template illustrate the complete user accessible logic diagram, and its Verilog instantiation.



Ports

SB_IO_OD Ports		
Signal Name	Direction	Description
PACKAGEPIN	Bidirectional	Bidirectional IO pin.
LATCHINPUTVALUE	Input	Latches/Holds the input data.
CLOCKENABLE	Input	Clock enable signal.
INPUTCLK	Input	Clock for the input registers.
OUTPUTCLK	Input	Clock for the output registers.
OUTPUTENABLE	Input	Enable Tristate output. Active high.
DOUT0	Input	Data to package pin.
DOUT1	Input	Data to package pin.
DIN0	Output	Data from package pin.
DIN1	Output	Data from package pin.

Default Signal Values

The iCEcube2 software assigns the logic “0” value to all unconnected input ports except for CLOCKENABLE.

Note that explicitly connecting logic “1” value to port CLOCKENABLE will result in a non-optimal implementation, since extra LUT will be used to generate the Logic “1”. If the user’s intention is to keep the Input and Output registers always enabled, it is recommended that port CLOCKENABLE to be left unconnected.

Parameter Values

```
Parameter PIN_TYPE = 6'b000000;  
                                // See Input and Output Pin Function Tables in SB_IO.  
                                // Default value of PIN_TYPE = 6'b000000  
Parameter NEG_TRIGGER = 1'b0;  
                                // Specify the polarity of all FFs in the I/O to be falling edge when  
                                NEG_TRIGGER = 1. Default is 1'b0, rising edge.
```

Input and Output Pin Function Tables

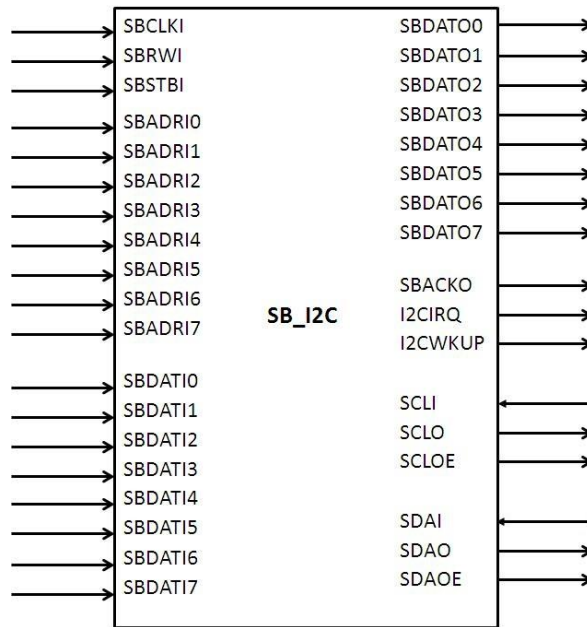
Refer SB_IO Input and Output Pin Functional Table for the PIN_TYPE settings. Some of the output pin configurations are not applicable for SB_IO_OD primitive.

Verilog Instantiation

```
SB_IO_OD    OpenDrainInst0  
(  
  .PACKAGEPIN (PackagePin),           // User’s Pin signal name  
  .LATCHINPUTVALUE (latchinputvalue), // Latches/holds the Input value  
  .CLOCKENABLE (clockenable),         // Clock Enable common to input and  
  // output clock  
  .INPUTCLK (inputclk),               // Clock for the input registers  
  .OUTPUTCLK (outputclk),            // Clock for the output registers  
  .OUTPUTENABLE (outputenable),      // Output Pin Tristate/Enable  
  // control  
  .DOUT0 (dout0),                    // Data 0 - out to Pin/Rising clk  
  // edge  
  .DOUT1 (dout1),                    // Data 1 - out to Pin/Falling clk  
  // edge  
  .DIN0 (din0),                      // Data 0 - Pin input/Rising clk  
  // edge  
  .DIN1 (din1),                      // Data 1 - Pin input/Falling clk  
  // edge  
);  
  
defparam OpenDrainInst0.PIN_TYPE = 6'b000000;  
defparam OpenDrainInst0.NEG_TRIGGER = 1'b0;
```

SB_I2C

iCE5LP device supports two I2C hard IP primitives , located at upper left corner and upper right corner of the chip.



Ports

The port interface is similar as iCE40LM SB_I2C primitive. Refer Page 114.

Parameters

The parameters are same as ICE40LM SB_I2C primitive.

Synthesis Attribute

I2C_CLK_DIVIDER

Synthesis attribute “I2C_CLK_DIVIDER” is used by PNR and STA tools for optimization and deriving the appropriate clock frequency at SCLO output with respect to the SBCLKI input clock frequency.

```
/* synthesis I2C_CLK_DIVIDER= Divide Value */
```

Divide Value: 0, 1, 2, 3 ... 1023. Default is 0.

SDA_INPUT_DELAYED

SDA_INPUT_DELAYED attribute is used to add 50ns additional delay to the SDAI signal.

```
/* synthesis SDA_INPUT_DELAYED= value */
```

Value:

- 0: No delay.
- 1: Add 50ns delay. (Default value).

SDA_OUTPUT_DELAYED

SDA_OUTPUT_DELAYED attribute is used to add 50ns additional delay to the SDAO signal.

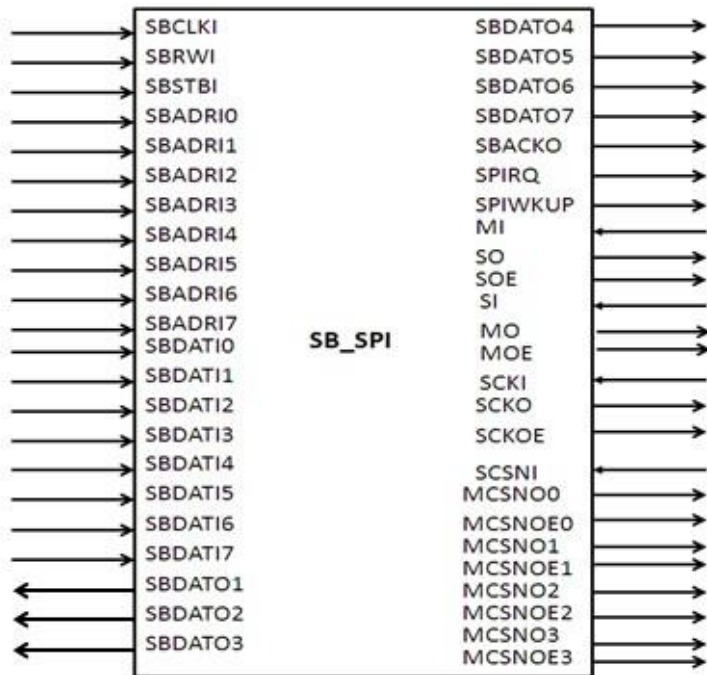
```
/* synthesis SDA_OUTPUT_DELAYED= value */
```

Value:

- 0: No delay (Default value).
- 1: Add 50ns delay.

SB_SPI

iCE5LP device supports two SPI hard IP primitives, located at lower left corner and lower right corner of the chip. The port interface of SB_SPI is similar as ICE40LM SB_SPI primitive. Refer Page 117.



Ports

The port interface is similar as iCE40LM SB_SPI primitive. Refer Page 117.

Parameters

The parameters are same as ICE40LM SB_SPI primitive.

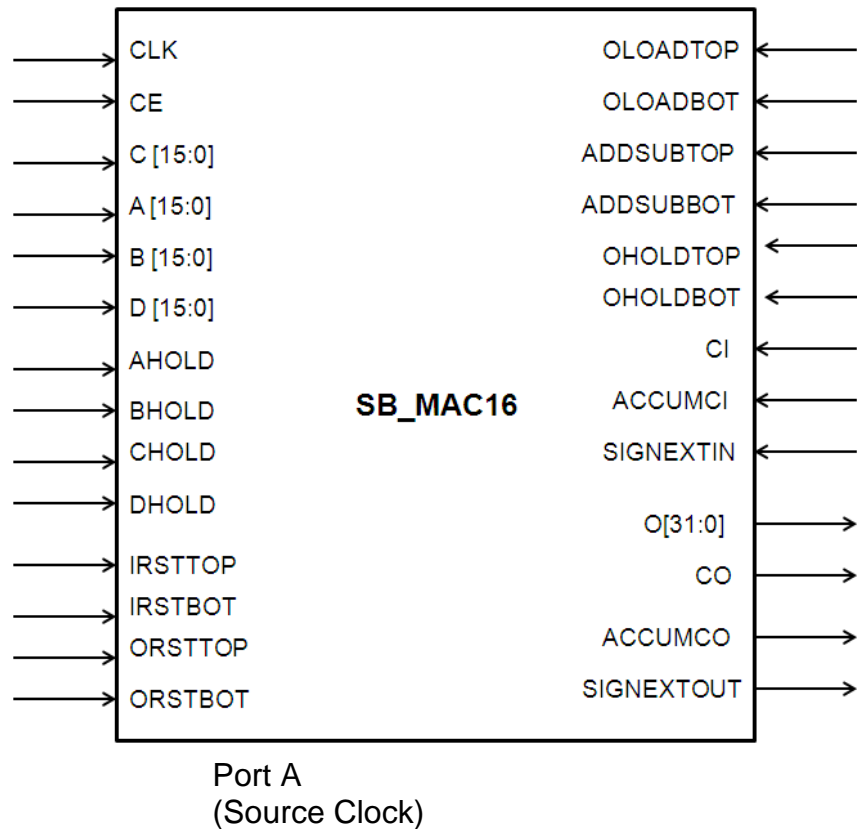
Synthesis Attribute

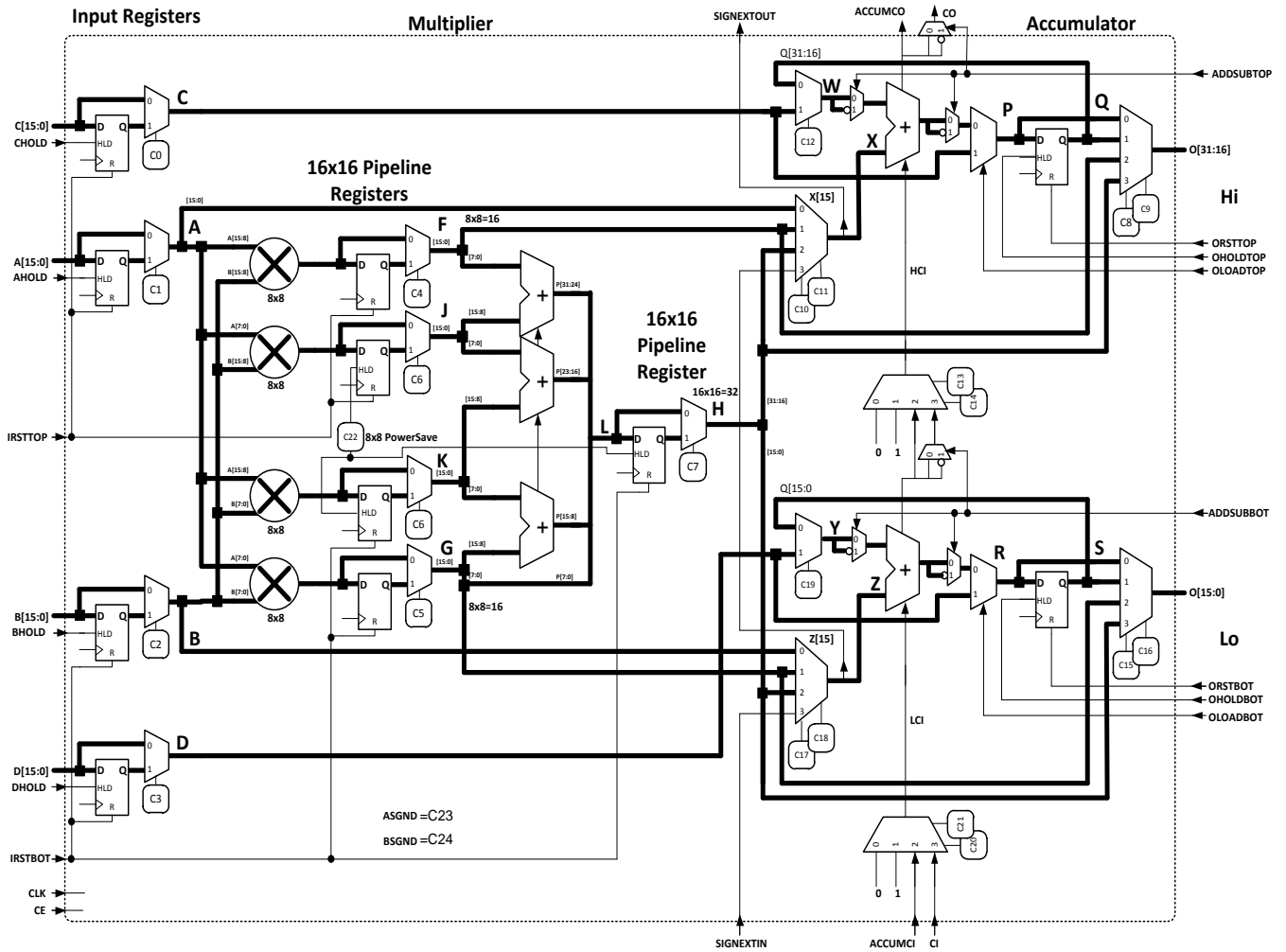
The synthesis attribute is same as ICE40LM SB_SPI primitive.

SB_MAC16

The SB_MAC16 primitive is the dedicated configurable DSP block available in iCE5LP devices. The SB_MAC16 can be configured into a multiplier, adder, subtracter, accumulator, multiply-add and multiply-sub through the instance parameters. The SB_MAC16 blocks can be cascaded to implement wider functional units.

iCEcube2 supports a set of predefined SB_MAC16 functional configurations. Refer Page 138 for the list of supported configurations.





Port A (Generated Clock)

Ports

SB_MAC16 Ports			
Signal Name	Direction	Description	Default Values
CLK	Input	Clock input. Applies to all clocked elements in the MAC16 Block.	
CE	Input	Clock Enable Input. Active High.	1'b1
C[15:0]	Input	Input to the C Register / Direct input to the adder accumulator.	16'b0
A[15:0]	Input	Input to the A Register / Direct input to the multiplier blocks /Direct input to the adder accumulator.	16'b0
B[15:0]	Input	Input to the B Register / Direct input to the multiplier blocks /Direct input to the adder accumulator.	16'b0
D[15:0]	Input	Input to the D Register / Direct input to the adder accumulator.	16'b0
AHOLD	Input	Hold A registers Data .Controls data flow into the input register A. Active High.	1'b0
		0 Update (load) register at next active clock edge.	

		1	Hold (retain) current register value, regardless of clock.	
BHOLD	Input	Hold B registers Data .Controls data flow into the B input register. Active High.		1'b0
		0	Update (load) register at next active clock edge.	
		1	Hold (retain) current register value, regardless of clock.	
CHOLD	Input	Hold C registers Data. Controls data flow into the A input register. Active High.		1'b0
		0	Update (load) register at next active clock edge.	
		1	Hold (retain) current register value, regardless of clock.	
DHOLD	Input	Hold D registers Data. Controls data flow into the A input register. Active High.		1'b0
		0	Update (load) register at next active clock edge.	
		1	Hold (retain) current register value, regardless of clock.	
IRSTTOP	Input	Reset input to the A and C input registers, and the pipeline registers in the upper half of the multiplier block. Active High		1'b0
IRSTBOT	Input	Reset input to the B and C input registers, and the pipeline registers in the lower half of the multiplier block, and the 32-bit multiplier result pipeline register. Active High.		1'b0
ORSTTOP	Input	Reset the high-order bits of the accumulator register ([31:16]). Active High.		1'b0
ORSTBOT	Input	Reset the low-order accumulator register bits ([15:0]). Active High.		1'b0
OLOADTOP	Input	High-order Accumulator Register Accumulate/Load. Controls whether the accumulator register accepts the output of the adder/subtractor or whether the register is loaded with the value from Input C (or Register C, if configured).		1'b0
		0	Accumulator Register [31:16] loaded with output from adder/subtractor.	
		1	Accumulator Register [31:16] loaded with Input C or Register C, depending on primitive parameter value.	
OLOADBOT	Input	Low-order Accumulator Register Accumulate/Load. Controls whether the low-order accumulator register bits (15:0) accepts the output of the adder/subtractor or whether the register is loaded with the value from Input D (or Register D, if configured).		1'b0
		0	Accumulator Register [15:0] loaded with output from adder/subtractor.	
		1	Accumulator Register [15:0] loaded with Input D or Register D, depending on primitive parameter value.	
ADDSUBTOP	Input	High-order Add/Subtract. Controls whether the adder/subtractor adds or subtracts.		1'b0: Add
		0	Add: W+X+HCI	
		1	Subtract: W-X-HCI	
ADDSUBBOT	input	Low-order Add/Subtract. Controls whether the adder/subtractor adds or subtracts.		1'b0: Add

		0	Add: Y+Z+LCI	
		1	Subtract: Y-Z-LCI	
OHOLDTOP	Input	High-order Accumulator Register Hold. Controls data flow into the high-order ([31:16]) bits of the accumulator.		
		0	Update (load) register at next active clock edge.	
		1	Hold (retain) current register value, regardless of clock.	
OHOLDBOT	Input	Low-order Accumulator Register Hold. Controls data flow into the high-order ([15:0]) bits of the accumulator.		
		0	Update (load) register at next active clock edge.	
		1	Hold (retain) current register value, regardless of clock.	
CI	Input	Carry/borrow input from lower logic tile.		
ACCUMCI	Input	Cascade Carry/borrow input from lower MAC16 block.		
SIGNEXTIN	Input	Sign extension input from lower MAC16 block.		
O[31:0]	Output	32 bit MAC16 Output.		
		O[31:0]	32-bit result of a 16x16 multiply operation or a 32-bit adder/accumulate function.	
		O[31:16]	16-bit result of an 8x8 multiply operation or a 32-bit adder/accumulate function.	
		O[15:0]	16-bit result of an 8x8 multiply operation or a 32-bit adder/accumulate function.	
CO	Output	Carry/borrow output to higher logic tile.		
ACCUMCO	Output	Cascade Carry/borrow output to higher MAC16 block.		
SIGNEXTOUT	Output	Sign extension output to higher MAC16 block.		

Parameters

The parameter table below shows the list of parameters to configure the SB_MAC16 block. This table also maps the parameter to the configuration bits shown in the SB_MAC16 Functional diagram.

Parameter Name	Configuration bits	Parameter Description	Parameter Values	Description
NEG_TRIGGER		Controls input clock polarity	0	All the registers are rising_edge triggered.
			1	All the registers are falling_edge triggered.
C_REG	C0	Input C register Control.	0	Input C not registered
			1	Input C registered
A_REG	C1	Input A register Control	0	Input A not registered
			1	Input A registered
B_REG	C2	Input B register Control	0	Input B not registered
			1	Input B registered
D_REG	C3	Input D register Control	0	Input D not registered
			1	Input D registered
TOP_8x8_MULT_REG	C4	Top 8x8 multiplier output register control (point F)	0	Top 8x8 multiplier output is not registered.
			1	Top 8x8 multiplier output is registered.
BOT_8x8_MULT_REG	C5	Bottom 8x8 multiplier	0	Bottom 8x8 multiplier

		output register control. (point G)		output is not registered.
			1	Bottom 8x8 multiplier output is registered
PIPELINE_16x16_MULT_REG1	C6	Intermediate 8x8 multiplier pipeline register controls (points J and K). These multipliers are only used for 16x16 multiply operations. For 8x8 multiply operations, set C6 and C7 to 1, which reduces power consumption.	0	Intermediate 8x8 multiplier outputs are not registered.
			1	Intermediate 8x8 multiplier outputs are registered.
PIPELINE_16x16_MULT_REG2	C7	16x16 multiplier Pipeline registers control. (point H)	0	32-bit output from 16x16 multiplier is not registered.
			1	32-bit output from 16x16 multiplier is registered.
TOPOUTPUT_SELECT	C9,C8	Selects Top SB_MAC16 output O[31:16].	00	16-bit output of Multiplexer P, from top adder/subtractor,
			01	16-bit output from upper accumulator register, Q
			10	16-bit output from upper 8x8 multiplier, F
			11	Upper 16-bit output from 16x16 multiplier, H
TOPADDSUB_LOWERINPUT	C11,C10	Selects input X for the upper adder/subtractor	00	16-bit input from A input or associated input register.
			01	16-bit output from upper 8x8 multiplier, F
			10	Upper 16-bit output from 16x16 multiplier, H
			11	Sign extension input from lower adder/subtractor, Z[15]. Duplicate 16 bits.
TOPADDSUB_UPPERINPUT	C12	Selects input W for the upper adder/subtractor	0	16-bit feedback from upper accumulator register, Q
			1	16-bit input from C input or associated pipeline register
TOPADDSUB_CARRYSELECT	C14,C13	Carry/borrow input select to upper adder/subtractor.	00	Constant 0
			01	Constant 1
			10	Cascade Carry/borrow output from lower adder/subtractor
			11	Carry/borrow output from lower adder/subtractor
BOTOUTPUT_SELECT	C16,C15	Selects Lower SB_MAC16 output O[15:0].	00	16-bit output of multiplexer R from lower adder/subtractor
			01	16-bit output from lower accumulator register, S
			10	16-bit output from lower 8x8

				multiplier, G
			11	Lower 16-bit output from 16x16 multiplier, H
BOTADDSUB_LOWERINPUT	C18,C17	Selects Input Z for the lower adder/subtractor	00	16-bit input from B input or associated pipeline register
			01	16-bit output from lower 8x8 multiplier, G
			10	Lower 16-bit output from 16x16 multiplier, H
			11	Sign extension input SIGNEXTIN. Duplicate 16 bits.
BOTADDSUB_UPPERINPUT	C19	Selects Input Y for the lower adder/subtractor	0	16-bit feedback from lower accumulator register, S
			1	16-bit input from D input or associated input register.
BOTADDSUB_CARRYSELECT	C21,C20	Carry/borrow input select to lower adder/subtractor	00	Constant 0
			01	Constant 1
			10	Cascade Carry/borrow input from ACCUMCI
			11	Carry/borrow input from CI
MODE_8x8	C22	Selects 8x8 Multiplier mode and 8x8 Low-Power Multiplier Blocking Option	0	No effect
			1	Selects 8x8 Multiplier mode. Holds the pipelining registers associate with a 16x16 multiplier in clock disable mode. Helps reduce the dynamic power consumption within the multiplier function. Used in conjunction with C6, C7 settings.
A_SIGNED	C23	Indicates whether multiplier input A is signed or unsigned. Applies regardless if input A is 16-or 32-bits wide.	0	Multiplier input A is unsigned.
			1	Multiplier input A is signed.
B_SIGNED	C24	Indicates whether multiplier input B is signed or unsigned. Applies regardless if input B is 16-or 32-bits wide.	0	Multiplier input B is unsigned.
			1	Multiplier input B is signed.

SB_MAC16 Configurations

The following SB_MAC16 functional blocks are supported in iCEcube2.

1. Multiplier.
2. Multiply and Accumulate (MAC).
3. Accumulator (ACC).
4. Add/Subtract (ADD/SUB).
5. Multiply and Add/Subtract (MULTADDSUB)

The valid configuration parameter settings for each functional block are listed below.

Note: Read the configuration settings from left to right while filling the SB_MAC16 instance parameter values.

Table 1 : Multiplier Configurations

8x8 Multiplier : 8x8 input multiplier with 16 bit output.

16x16 Multiplier: 16x16 input multiplier with 32 bit output.

SB_MAC16 Function/ Parameter Settings	B_SIGNED	A_SIGNED	MODE_8x8	BOTADDSUB_CARRYSELECT	BOTADDSUB_UPPERINPUT	BOTADDSUB_LOWERINPUT	BOTOUTPUT_SELECT	TOPADDSUB_CARRYSELECT	TOPADDSUB_UPPERINPUT	TOPADDSUB_LOWERINPUT	TOOUTPUT_SELECT	PIPELINE_16x16_MULT_REG2	PIPELINE_16x16_MULT_REG1	BOT_8x8_MULT_REG	TOP_8x8_MULT_REG	D_REG	B_REG	A_REG	C_REG							
	CBIT[24]	CBIT[23]	CBIT[22]	CBIT[21]	CBIT[20]	CBIT[19]	CBIT[18]	CBIT[17]	CBIT[16]	CBIT[15]	CBIT[14]	CBIT[13]	CBIT[12]	CBIT[11]	CBIT[10]	CBIT[9]	CBIT[8]	CBIT[7]	CBIT[6]	CBIT[5]	CBIT[4]	CBIT[3]	CBIT[2]	CBIT[1]	CBIT[0]	
8x8 Multiplier																										
mult_8x8_all_pipelined_unsigned	0	0	1	0	0	0	0	0	1	0	0	0	0	0	0	1	0	0	1	1	1	0	1	1	0	
mult_8x8_all_pipelined_signed	1	1	1	0	0	0	0	0	1	0	0	0	0	0	0	1	0	0	1	1	1	0	1	1	0	
mult_8x8_bypass_unsigned	0	0	1	0	0	0	0	0	1	0	0	0	0	0	0	1	0	0	0	0	0	0	0	0	0	
mult_8x8_bypass_signed	1	1	1	0	0	0	0	0	1	0	0	0	0	0	0	1	0	0	0	0	0	0	0	0	0	
16x16 Multiplier																										
mult_16x16_all_pipelined_unsigned	0	0	0	0	0	0	0	0	1	1	0	0	0	0	0	1	1	1	1	1	1	1	0	1	1	0

mult_16x16_all_pipelined_signed	1	1	0	0	0	0	0	0	0	1	1	0	0	0	0	1	1	1	1	1	1	0	1	1	0
mult_16x16_intermediate_register_bypassed_unsigned	0	0	0	0	0	0	0	0	1	1	0	0	0	0	0	1	1	1	0	0	0	0	1	1	0
mult_16x16_intermediate_register_bypassed_signed	1	1	0	0	0	0	0	0	1	1	0	0	0	0	0	1	1	1	0	0	0	0	1	1	0
mult_16x16_bypasses_unsigned	0	0	0	0	0	0	0	0	1	1	0	0	0	0	0	1	1	0	0	0	0	0	0	0	0
mult_16x16_bypasses_signed	1	1	0	0	0	0	0	0	1	1	0	0	0	0	0	1	1	0	0	0	0	0	0	0	0

Table 2 : MAC Configurations

16 bit MAC: 8x8 input, 16 bit output MAC.

32 bit MAC: 16x16 input, 32 bit output MAC.

SB_MAC16 Function/ Parameter Settings	B_SIGNED	A_SIGNED	MODE_8x8	BOTADDSUB_CARRYSELECT	BOTADDSUB_UPPERINPUT	BOTADDSUB_LOWERINPUT	BOTOUTPUT_SELECT	TOPADDSUB_CARRYSELECT	TOPADDSUB_UPPERINPUT	TOPADDSUB_LOWERINPUT	TOPOUTPUT_SELECT	PIPELINE_16x16_MULT_REG2	PIPELINE_16x16_MULT_REG1	BOT_8x8_MULT_REG	TOP_8x8_MULT_REG	D_REG	B_REG	A_REG	C_REG						
	CBIT[24]	CBIT[23]	CBIT[22]	CBIT[21]	CBIT[20]	CBIT[19]	CBIT[18]	CBIT[17]	CBIT[16]	CBIT[15]	CBIT[14]	CBIT[13]	CBIT[12]	CBIT[11]	CBIT[10]	CBIT[9]	CBIT[8]	CBIT[7]	CBIT[6]	CBIT[5]	CBIT[4]	CBIT[3]	CBIT[2]	CBIT[1]	CBIT[0]
16 bit MAC																									
mac_16_all_pipelined_unsigned	0	0	1	0	0	0	0	1	0	1	0	0	0	0	1	0	1	1	1	1	1	1	1	1	1
mac_16_intermediate_register_bypassed_unsigned	0	0	1	0	0	0	0	1	0	1	0	0	0	0	1	0	1	0	0	0	0	1	1	1	1
mac_16_bypassed_unsigned	0	0	1	0	0	0	0	1	0	1	0	0	0	0	1	0	1	0	0	0	0	0	0	0	0
32 bit MAC																									
mac_32_all_pipelined_unsigned	0	0	0	0	0	0	1	0	0	1	1	0	0	1	0	0	1	1	1	1	1	1	1	1	1

mac_32_all_pipeline_d_cascaded_unsigned	0	0	0	1	0	0	1	0	0	1	1	0	0	1	0	0	1	1	1	1	1	1	1	1	1	1	1	1	1	1	1	1	1	1	1	1	1	
mac_32_all_pipeline_cin_unsigned	0	0	0	1	1	0	1	0	0	1	1	0	0	1	0	0	1	1	1	1	1	1	1	1	1	1	1	1	1	1	1	1	1	1	1	1	1	1
mac_32_intermediate_register_bypassed_unsigned	0	0	0	0	0	0	1	0	0	1	1	0	0	1	0	0	1	1	0	0	0	0	1	1	1	1	1	1	1	1	1	1	1	1	1	1	1	1
mac_32_intermediate_register_bypassed_cascaded_unsigned	0	0	0	1	0	0	1	0	0	1	1	0	0	1	0	0	1	1	0	0	0	0	1	1	1	1	1	1	1	1	1	1	1	1	1	1	1	1
mac_32_intermediate_register_bypassed_cin_unsigned	0	0	0	1	1	0	1	0	0	1	1	0	0	1	0	0	1	1	0	0	0	0	1	1	1	1	1	1	1	1	1	1	1	1	1	1	1	1
mac_32_bypassed_unsigned	0	0	0	0	0	0	1	0	0	1	1	0	0	1	0	0	1	0	0	1	0	0	0	0	0	0	0	0	0	0	0	0	0	0	0	0	0	0
mac_32_bypassed_cascaded_unsigned	0	0	0	1	0	0	1	0	0	1	1	0	0	1	0	0	1	0	0	0	0	0	0	0	0	0	0	0	0	0	0	0	0	0	0	0	0	0
mac_32_bypassed_cin_unsigned	0	0	0	1	1	0	1	0	0	1	1	0	0	1	0	0	1	0	0	0	0	0	0	0	0	0	0	0	0	0	0	0	0	0	0	0	0	0
mac_32_intermediate_register_bypassed_signed	1	1	0	0	0	0	1	0	0	1	1	0	0	1	0	0	1	0	0	1	1	0	0	0	0	0	0	1	1	1	1	1	1	1	1	1	1	

Table 3 : ACCUMULATOR Configurations

16 bit ACCUMULATOR: 16 bit input, 16 bit output Accumulator.

32 bit ACCUMULATOR: 32 bit input, 32 bit output Accumulator.

SB_MAC16 Function/Parameter Settings	B_SIGNED	A_SIGNED	MODE_8x8	BOTADDSUB_CARRYSELECT	BOTADDSUB_UPPERINPUT	BOTADDSUB_LOWERINPUT	BOTOUTPUT_SELECT	TOPADDSUB_CARRYSELECT	TOPADDSUB_UPPERINPUT	TOPADDSUB_LOWERINPUT	TOOUTPUT_SELECT	PIPELINE_16x16_MULT_REG2	PIPELINE_16x16_MULT_REG1	BOT_8x8_MULT_REG	TOP_8x8_MULT_REG	D_REG	B_REG	A_REG	C_REG																				
	CBIT[24]	CBIT[23]	CBIT[22]	CBIT[21]	CBIT[20]	CBIT[19]	CBIT[18]	CBIT[17]	CBIT[16]	CBIT[15]	CBIT[14]	CBIT[13]	CBIT[12]	CBIT[11]	CBIT[10]	CBIT[9]	CBIT[8]	CBIT[7]	CBIT[6]	CBIT[5]	CBIT[4]	CBIT[3]	CBIT[2]	CBIT[1]	CBIT[0]														
16 bit																																							

add_sub_16_bypassed_unsigned	0	0	1	0	0	1	0	0	0	0	0	0	0	1	0	0	0	0	0	0	0	0	0	0	0
32 bit ADDSUB																									
add_sub_32_all_pipelined_unsigned	0	0	1	0	0	1	0	0	0	1	1	0	1	0	0	0	1	0	0	0	1	1	1	1	
add_sub_32_all_pipelined_cascaded_unsigned	0	0	1	1	0	1	0	0	0	1	1	0	1	0	0	0	1	0	0	0	1	1	1	1	
add_sub_32_all_pipelined_cin_unsigned	0	0	1	1	1	1	0	0	0	1	1	0	1	0	0	0	1	0	0	0	1	1	1	1	
add_sub_32_bypassed_unsigned	0	0	1	0	0	1	0	0	0	0	1	0	1	0	0	0	0	0	0	0	0	0	0	0	
add_sub_32_bypassed_cascaded_unsigned	0	0	1	1	0	1	0	0	0	0	1	0	1	0	0	0	0	0	0	0	0	0	0	0	
add_sub_32_bypassed_cin_unsigned	0	0	1	1	1	1	0	0	0	0	1	0	1	0	0	0	0	0	0	0	0	0	0	0	

Table 5: Multiply Add/Subtract Configurations

16 bit Mult-Add/Sub: 8x8 input, 16 bit output Mult-Add/Sub.

32 bit Mult-Add/Sub: 16x16 input, 32 bit output Mult-Add/Sub.

SB_MAC16 Function/ Parameter Settings	B_SIGNED	A_SIGNED	MODE_8x8	BOTADDSUB_CARRYSELECT	BOTADDSUB_UPPERINPUT	BOTADDSUB_LOWERINPUT	BOTOUTPUT_SELECT	TOPADDSUB_CARRYSELECT	TOPADDSUB_UPPERINPUT	TOPADDSUB_LOWERINPUT	TOPOUTPUT_SELECT	PIPELINE_16x16_MULT_REG2	PIPELINE_16x16_MULT_REG1	BOT_8x8_MULT_REG	TOP_8x8_MULT_REG	D_REG	B_REG	A_REG	C_REG						
	CBIT[24]	CBIT[23]	CBIT[22]	CBIT[21]	CBIT[20]	CBIT[19]	CBIT[18]	CBIT[17]	CBIT[16]	CBIT[15]	CBIT[14]	CBIT[13]	CBIT[12]	CBIT[11]	CBIT[10]	CBIT[9]	CBIT[8]	CBIT[7]	CBIT[6]	CBIT[5]	CBIT[4]	CBIT[3]	CBIT[2]	CBIT[1]	CBIT[0]
16 bit Mult-Add/Sub																									
mult_add_sub_16_all_pipelined_unsigned	0	0	1	0	0	1	0	1	0	1	0	0	1	0	1	0	1	0	1	1	1	1	1	1	1

mult_add_sub_16_int ermediate_register_b ypassed_unsigned	0	0	1	0	0	1	0	1	0	1	0	0	1	0	1	0	1	0	0	0	1	1	1	1
mult_add_sub_16_by passed_unsigned	0	0	1	0	0	1	0	1	0	0	0	0	1	0	1	0	0	0	0	0	0	0	0	0
32 bit Mult-Add/Sub																								
mult_add_sub_32_all _pipelined_unsigned	0	0	0	0	0	1	1	0	0	1	1	0	1	1	0	0	1	1	1	1	1	1	1	1
mult_add_sub_32_all _pipelined_cascaded_ unsigned	0	0	0	1	0	1	1	0	0	1	1	0	1	1	0	0	1	1	1	1	1	1	1	1
mult_add_sub_32_all _pipelined_cin_unsig ned	0	0	0	1	1	1	1	0	0	1	1	0	1	1	0	0	1	1	1	1	1	1	1	1
mult_add_sub_32_int ermediate_register_b ypassed_unsigned	0	0	0	0	0	1	1	0	0	1	1	0	1	1	0	0	1	1	0	0	0	1	1	1
mult_add_sub_32_int ermediate_register_b ypassed_cascaded_u nsigned	0	0	0	1	0	1	1	0	0	1	1	0	1	1	0	0	1	1	0	0	0	1	1	1
mult_add_sub_32_int ermediate_register_b ypassed_cin_unsigne d	0	0	0	1	1	1	1	0	0	1	1	0	1	1	0	0	1	1	0	0	0	1	1	1
mult_add_sub_32_by passed_unsigned	0	0	0	0	0	1	1	0	0	0	1	0	1	1	0	0	0	0	0	0	0	0	0	0
mult_add_sub_32_by passed_cascaded_uns igned	0	0	0	1	0	1	1	0	0	0	1	0	1	1	0	0	0	0	0	0	0	0	0	0
mult_add_sub_32_by passed_cin_unsigned	0	0	0	1	1	1	1	0	0	0	1	0	1	1	0	0	0	0	0	0	0	0	0	0
mult_add_sub_32_int ermediate_register_b ypassed_signed	1	1	0	0	0	1	1	0	0	1	1	0	1	1	0	0	1	1	0	0	0	1	1	1

Verilog Instantiation

```
SB_MAC16 i_sbmac16
(
    .A(A_i),
    .B(B_i),
    .C(C_i),
    .D(D_i),
    .O(O),
    .CLK(SYSCLK_i),
    .CE(CE_i),
    .IRSTTOP(RST_i),
    .IRSTBOT(RST_i),
    .ORSTTOP(RST_i),
    .ORSTBOT(RST_i),
    .AHOLD(AHOLD_i),
    .BHOLD(BHOLD_i),
    .CHOLD(CHOLD_i),
    .DHOLD(DHOLD_i),
    .OHOLDTOP(HLDTOPOUT_i),
    .OHOLDBOT(HLDBOTOUT_i),
    .OLOADTOP(LOADTOP_i),
    .OLOADBOT(LOADBOT_i),
    .ADDSUBTOP(ADDSUBTOP_i),
    .ADDSUBBOT(ADDSUBBOT_i),
    .CO(CO),
    .CI(CI),
    //MAC cascading ports.
    .ACCUMCI(),
    .ACCUMCO(),
    .SIGNEXTIN(),
    .SIGNEXTOUT()
);

// mult_8x8_all_pipelined_unsigned [24:0] = 001_0000010_0000010_0111_0110
// Read configuration settings [24:0] from left to right while filling the
instance parameters.

defparam i_sbmac16. B_SIGNED                = 1'b0 ;
defparam i_sbmac16. A_SIGNED                = 1'b0 ;
defparam i_sbmac16. MODE_8x8                = 1'b1 ;

defparam i_sbmac16. BOTADDSUB_CARRYSELECT  = 2'b00 ;
defparam i_sbmac16. BOTADDSUB_UPPERINPUT   = 1'b0 ;
defparam i_sbmac16. BOTADDSUB_LOWERINPUT   = 2'b00 ;
defparam i_sbmac16. BOTOUTPUT_SELECT       = 2'b10 ;

defparam i_sbmac16. TOPADDSUB_CARRYSELECT  = 2'b00 ;
defparam i_sbmac16. TOPADDSUB_UPPERINPUT   = 1'b0 ;
defparam i_sbmac16. TOPADDSUB_LOWERINPUT   = 2'b00 ;
defparam i_sbmac16. TOPOUTPUT_SELECT       = 2'b10 ;

defparam i_sbmac16. PIPELINE_16x16_MULT_REG2 = 1'b0 ;
defparam i_sbmac16. PIPELINE_16x16_MULT_REG1 = 1'b1 ;
defparam i_sbmac16. BOT_8x8_MULT_REG        = 1'b1 ;
defparam i_sbmac16. TOP_8x8_MULT_REG        = 1'b1 ;
defparam i_sbmac16. D_REG                   = 1'b0 ;
defparam i_sbmac16. B_REG                   = 1'b1 ;
defparam i_sbmac16. A_REG                   = 1'b1 ;
defparam i_sbmac16. C_REG                   = 1'b0 ;
```

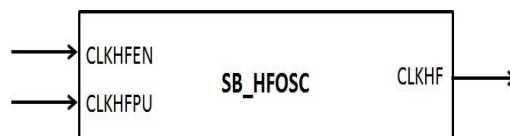

iCE40UL (iCE40 Ultra Lite) Hard Macros

This section describes the following dedicated hard macro primitives available in iCE40UL device.

SB_HFOSC
 SB_LFOSC
 SB_RGBA_DRV
 SB_IR400_DRV
 SB_BARCODE_DRV
 SB_IR500_DRV
 SB_LEDDA_IP
 SB_IR_IP
 SB_IO_OD
 SB_I2C_FIFO

SB_HFOSC

SB_HFOSC primitive generates 48MHz nominal clock frequency within +/- 10% variation, with user programmable divider value of 1, 2, 4, and 8. The HFOSC can drive either the global clock network or fabric routes directly based on the clock network selection.



Ports

SB_HFOSC Ports		
Signal Name	Direction	Description
CLKHFPU	Input	Power up the HFOSC circuit. After power up, oscillator output will be stable after 100us. Active High.
CLKHFEN	Input	Enable the clock output. Enable should be low for the 100us power up period. Active High.
CLKHF	Output	HF Oscillator output.

Parameters

Parameter	Parameter Values.	Description.
CLKHF_DIV	"0b00"	Sets 48MHz HFOSC output.
	"0b01"	Sets 24MHz HFOSC output.
	"0b10"	Sets 12MHz HFOSC output.
	"0b11"	Sets 6MHz HFOSC output

Default Signal Values

The iCEcube2 software assigns the following signal value to unconnected port:
 Input CLKHFEN: Logic "0"
 Input CLKHFPU: Logic "0"

Clock Network Selection

By default the oscillator use one of the dedicated clock networks in the device to drive the elements. The user may configure the oscillator to use the fabric routes instead of global clock network using the synthesis attribute.

Synthesis Attributes

```
/* synthesis ROUTE_THROUGH_FABRIC = <value> */
```

Value:

0: Use dedicated clock network. Default option.

1: Use fabric routes.

Verilog Instantiation

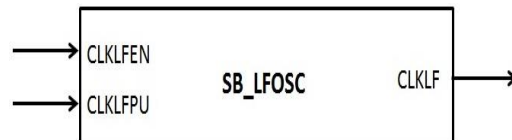
```
SB_HFOSC OSCInst0 (  
  .CLKHFEN(ENCLKHF),  
  .CLKHFPU(CLKHF_POWERUP),  
  .CLKHF(CLKHF)  
) /* synthesis ROUTE_THROUGH_FABRIC= [0|1] */;
```

```
defparam OSCInst0.CLKHF_DIV = "0b00";
```

SB_LFOSC

SB_LFOSC primitive generates 10 KHz nominal clock frequency within +/- 10% variation. There is no divider on the LFOSC.

The LFOSC can drive either the global clock network or fabric routes directly based on the clock network selection



Ports

SB_LFOSC Ports		
Signal Name	Direction	Description
CLKLFPU	Input	Power up the LFOSC circuit. After power up, oscillator output will be stable after 100us. Active High.
CLKLFEN	Input	Enable the clock output. Enable should be low for the 100us power up period. Active High.
CLKLF	Output	LF Oscillator output.

Default Signal Values

The iCEcube2 software assigns the following signal value to unconnected port:

Input CLKLFEN: Logic "0"

Input CLKLFPU: Logic "0"

Clock Network Selection

By default the oscillator use one of the dedicated clock networks in the device to drive the elements. The user may configure the oscillator to use the fabric routes instead of global clock network using the synthesis attribute.

Synthesis Attributes

```
/* synthesis ROUTE_THROUGH_FABRIC = <value> */
```

Value:

0: Use dedicated clock network. Default option.

1: Use fabric routes.

Verilog Instantiation

```
SB_LFOSC OSCInst1 (
    .CLKLFEN(ENCLKLF),
    .CLKLFPU(CLKLF_POWERUP),
    .CLKLF(CLKLF)
) /* synthesis ROUTE_THROUGH_FABRIC= [0|1] */;
```

SB_RGBA_DRV

SB_RGBA_DRV primitive is the RGB LED drive module which contains 3 dedicated open drain I/O pins for RGB LED outputs. Each of the RGB LED output is bonded out together with an SB_IO_OD primitive to the package pin. User can either use SB_RGBA_DRV primitive or the SB_IO_OD primitive to drive the package pin, but not both.

The primitive allows configuration of each of the 3 RGB LED outputs individually. When the RGBx_CURRENT parameter of RGBx output is set to "0b000000", then SB_IO_OD can be used to drive the package pin.



Ports

SB_RGBA_DRV Ports		
Signal Name	Direction	Description
CURREN	Input	Enable the mixed signal control block to supply reference current to the IR drivers. When it is not enabled (CURREN=0), no current is supplied, and the IR drivers are powered down. Enabling the mixed signal control block takes 100us to reach a stable reference current value.
RGBLEDEN	Input	Enable the SB_RGBA_DRV primitive. Active High.
RGB0PWM	Input	Input data to drive RGB0 LED pin. This input is usually driven from the SB_LEDD_IP.
RGB1PWM	Input	Input data to drive RGB1 LED pin. This input is usually

		driven from the SB_LEDD_IP.
RGB2PWM	Input	Input data to drive RGB2 LED pin. This input is usually driven from the SB_LEDD_IP.
RGB0	Output	RGB0 LED output.
RGB1	Output	RGB1 LED output.
RGB2	Output	RGB2 LED output.

Default Signal Values

The iCEcube2 software assigns the following signal value to unconnected port:

Input CURREN : Logic "0"
 Input RGBLEDEN : Logic "0"
 Input RGB0PWM : Logic "0"
 Input RGB1PWM : Logic "0"
 Input RGB2PWM : Logic "0"

Parameters

The SB_RGBA_DRV primitive contains the following parameter and their default values:

Parameter CURRENT_MODE = "0b0";

Parameter values:

"0b0" = Full Current Mode (Default).

"0b1" = Half Current Mode.

Parameter RGB0_CURRENT = "0b000000";

Parameter RGB1_CURRENT = "0b000000";

Parameter RGB2_CURRENT = "0b000000";

Parameter values:

"0b000000" = 0mA. // Set this value to use the associated SB_IO_OD instance at RGB
 // LED location.

"0b000001" = 4mA for Full Mode; 2mA for Half Mode

"0b000011" = 8mA for Full Mode; 4mA for Half Mode

"0b000111" = 12mA for Full Mode; 6mA for Half Mode.

"0b001111" = 16mA for Full Mode; 8mA for Half Mode

"0b011111" = 20mA for Full Mode; 10mA for Half Mode.

"0b111111" = 24mA for Full Mode; 12mA for Half Mode.

Verilog Instantiation

```
SB_RGBA_DRV RGBA_DRIVER (
    .CURREN(ENABLE_CURR),
    .RGBLEDEN(ENABLE_RGBDRV),
    .RGB0PWM(RGB0),
    .RGB1PWM(RGB1),
    .RGB2PWM(RGB2),
    .RGB0(LED0),
    .RGB1(LED1),
    .RGB2(LED2)
);

defparam RGBA_DRIVER.CURRENT_MODE = "0b0";
defparam RGBA_DRIVER.RGB0_CURRENT = "0b111111";
defparam RGBA_DRIVER.RGB1_CURRENT = "0b111111";
defparam RGBA_DRIVER.RGB2_CURRENT = "0b111111";
```

SB_IR400_DRV

SB_IR400_DRV primitive is the IR driver which contains a single dedicated open drain I/O pin for IRLED output. The IRLED output is bonded out together with an SB_IO_OD primitive to the package pin. User can either use SB_IR400_DRV primitive or the SB_IO_OD primitive to drive the package pin, but not both.

When the IR400_CURRENT parameter is set to "0b00000000", then SB_IO_OD can be used to drive the package pin.



Ports

SB_IR400_DRV Ports		
Signal Name	Direction	Description
CURREN	Input	Enable the mixed signal control block to supply reference current to the IR drivers. When it is not enabled (CURREN=0), no current is supplied, and the IR drivers are powered down. Enabling the mixed signal control block takes 100us to reach a stable reference current value.
IRLEDEN	Input	Enable the SB_IR400_DRV primitive. Active High.
IRPWM	Input	PWM Input data to drive IRLED pin.
IRLED	Output	IR LED output.

Default Signal Values

The iCEcube2 software assigns the following signal value to unconnected port:

Input CURREN : Logic "0"
 Input IRLEDEN : Logic "0"
 Input IRPWM : Logic "0"

Parameter

The SB_IR400_DRV primitive contains the following parameter and their default values:

Parameter CURRENT_MODE = "0b0 ";
 Parameter values:
 "0b0" = Full Current Mode (Default).
 "0b1" = Half Current Mode.

Parameter IR400_CURRENT = "0b00000000";
 Parameter Values:
 "0b0000000000"; = 0mA. //This is the setting to tristate the IR output to allow it to be used as GPIO (SB_IO_OD)
 "0b000000001"; = 50mA for Full Mode; 25mA for Half Mode.
 "0b000000011"; = 100mA for Full Mode; 50mA for Half Mode.
 "0b000000111"; = 150mA for Full Mode; 75mA for Half Mode.
 "0b000011111"; = 200mA for Full Mode; 100mA for Half Mode.
 "0b000111111"; = 250mA for Full Mode; 125mA for Half Mode.
 "0b001111111"; = 300mA for Full Mode; 150mA for Half Mode.
 "0b011111111"; = 350mA for Full Mode; 175mA for Half Mode.

"0b11111111"; = 400mA for Full Mode; 200mA for Half Mode.

Verilog Instantiation

```
SB_IR400_DRV IRDRVinst (
    .CURREN(ENABLE_CURRENT),
    .IRLEDEN(ENABLE_IRDRV),
    .IRPWM(IR_PWMINPUT),
    .IRLED(IR_LEDOUT)
);
defparam IRDRVinst.CURRENT_MODE = "0b0";
defparam IRDRVinst.IR400_CURRENT = "0b1111111111";
```

SB_BARCODE_DRV

SB_BARCODE_DRV primitive contains a single dedicated open drain I/O pin for BARCODE output. The BARCODE output is bonded out together with an SB_IO_OD primitive to the package pin. User can either use SB_BARCODE_DRV primitive or the SB_IO_OD primitive to drive the package pin, but not both.

When the BARCODE_CURRENT parameter is set to "0b0000", SB_IO_OD can be used to drive the package pin.



Ports

SB_BARCODE_DRV Ports		
Signal Name	Direction	Description
CURREN	Input	Enable the mixed signal control block to supply reference current to the IR drivers. When it is not enabled (CURREN=0), no current is supplied, and the IR drivers are powered down. Enabling the mixed signal control block takes 100us to reach a stable reference current value.
BARCODEN	Input	Enable the SB_BARCODE_DRV primitive. Active High.
BARCODEPWM	Input	PWM Input data to drive BARCODE pin.
BARCODE	Output	BARCODE output.

Default Signal Values

The iCEcube2 software assigns the following signal value to unconnected port:

Input CURREN : Logic "0"
 Input BARCODEEN : Logic "0"
 Input BARCODEPWM : Logic "0"

Parameter

The SB_BARCODE_DRV primitive contains the following parameter and their default values:

Parameter CURRENT_MODE = "0b0";

Parameter values:

"0b0" = Full Current Mode (Default).

"0b1" = Half Current Mode.

Parameter BARCODE_CURRENT = "0b0000";

Parameter values:

"0b0000" = 0mA. //This is the setting to tristate the BARCODEoutput to allow it to be used
// as GPIO (SB_IO_OD)

"0b0001" = 16.6mA for Full Mode; 8.3mA for Half Mode,

"0b0011" = 33.3mA for Full Mode; 16.6mA for Half Mode,

"0b1001" = 66.6mA for Full Mode; 33.3mA for Half Mode,

"0b1010" = 83.3mA for Full Mode; 41.6mA for Half Mode,

"0b0111" = 50mA for Full Mode; 25mA for Half Mode,

"0b1111" = 100mA for Full Mode; 50mA for Half Mode

Verilog Instantiation

```
SB_BARCODE_DRV BARCODEDRVinst (  
    .CURREN(ENABLE_CURRENT),  
    .BARCODEEN(ENABLE_BARCODEDRV),  
    .BARCODEPWM(BARCODE_PWMINPUT),  
    .BARCODE(BARCODEOUT)  
);  
defparam BARCODEDRVinst.CURRENT_MODE = "0b0";  
defparam BARCODEDRVinst.BARCODE_CURRENT = "0b1111";
```

SB_IR500_DRV

SB_IR500_DRV primitive is the IR driver which contains a two dedicated open drain I/O pin for IRLED1, IRLED2 outputs. The IRLED outputs are bonded out together with an SB_IO_OD primitive to the package pin. User can either use SB_IR500_DRV primitive or the SB_IO_OD primitive to drive the package pin, but not both.

When the IR4500_CURRENT parameter is set to "0b00000000", then SB_IO_OD can be used to drive the package pin.



SB_IR500_DRV DRC Rule

This primitive cannot be instantiated along with SB_BARCODE_DRV or SB_IR400_DRV instance.

Ports

SB_IR500_DRV Ports		
Signal Name	Direction	Description
CURREN	Input	Enable the mixed signal control block to supply reference current to the IR drivers. When it is not enabled (CURREN=0), no current is supplied, and the IR drivers are powered down. Enabling the mixed signal control block takes 100us to reach a stable reference current value.
IRLEDEN	Input	Enable the SB_IR400_DRV primitive. Active High.
IRPWM	Input	PWM Input data to drive IRLED pin.
IRLED1	Output	IR LED output 1.
IRLED2	Output	IR LED output 2.

Default Signal Values

The iCEcube2 software assigns the following signal value to unconnected port:

Input CURREN : Logic "0"
Input IRLEDEN : Logic "0"
Input IRPWM : Logic "0"

Parameter

The SB_IR500_DRV primitive contains the following parameter and their default values:

Parameter CURRENT_MODE = "0b0";

Parameter values:

"0b0"; = Full Current Mode (Default).

"0b1"; = Half Current Mode.

Parameter IR500_CURRENT = "0b000000000000";

Parameter values:

"0b000000000000"; = 0mA. // This is the setting to tristate the BARCODE output to allow it to // be used as GPIO (SB_IO_OD).

"0b000000001111"; = 50mA for Full Mode; 25mA for Half Mode.

"0b000000001111"; = 100mA for Full Mode; 50mA for Half Mode.

"0b000000011111"; = 150mA for Full Mode; 75mA for Half Mode.

"0b000000111111"; = 200mA for Full Mode; 100mA for Half Mode.

"0b000001111111"; = 250mA for Full Mode; 125mA for Half Mode.

"0b000011111111"; = 300mA for Full Mode; 150mA for Half Mode.

"0b000111111111"; = 350mA for Full Mode; 175mA for Half Mode.

"0b001111111111"; = 400mA for Full Mode; 200mA for Half Mode.

"0b011111111111"; = 450mA for Full Mode; 225mA for Half Mode.

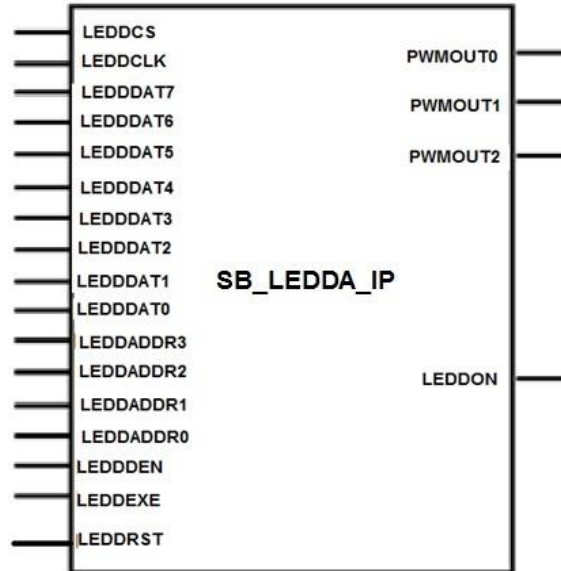
"0b111111111111"; = 500mA for Full Mode; 250mA for Half Mode.

Verilog Instantiation

```
SB_IR500_DRV IRDRVinst (  
    .CURREN(ENABLE_CURRENT),  
    .IRLEDEN(ENABLE_IRDRV),  
    .IRPWM(IR_PWMINPUT),  
    .IRLED(IR_LEDOUT)  
);  
  
defparam IRDRVinst.CURRENT_MODE = "0b0";  
defparam IRDRVinst.IR500_CURRENT = "0b1111111111";
```


SB_LEDDA_IP

SB_LEDDA_IP primitive generates the RGB PWM outputs for the RGB LED drivers. The IP contains registers that are programmed in by the SCI bus interface signals.



Ports

SB_LEDDA_IP Ports		
Signal Name	Direction	Description
LEDDCS	Input	CS to write LEDD IP registers
LEDDCLK	Input	Clock to write LEDD IP registers
LEDDDAT7	Input	bit 7 data to write into the LEDD IP registers
LEDDDAT6	Input	bit 6 data to write into the LEDD IP registers
LEDDDAT5	Input	bit 5 data to write into the LEDD IP registers
LEDDDAT4	Input	bit 4 data to write into the LEDD IP registers
LEDDDAT3	Input	bit 3 data to write into the LEDD IP registers
LEDDDAT2	Input	bit 2 data to write into the LEDD IP registers
LEDDDAT1	Input	bit 1 data to write into the LEDD IP registers
LEDDDAT0	Input	bit 0 data to write into the LEDD IP registers
LEDDADDR3	Input	LEDD IP register address bit 3
LEDDADDR2	Input	LEDD IP register address bit 2
LEDDADDR1	Input	LEDD IP register address bit 1
LEDDADDR0	Input	LEDD IP register address bit 0
LEDDDEN	Input	Data enable input to indicate data and address are stable.
LEDDEXE	Input	Enable the IP to run the blinking sequence. When it is LOW, the sequence stops at the nearest OFF state.
LEDDRST	Input	Device level reset signal to reset all internal registers during the device configuration. This port is not accessible to user signals.
PWMOUT0	Output	PWM output 0
PWMOUT1	Output	PWM output 1
PWMOUT2	Output	PWM output 2

LEDDON	Output	Indicating the LED is on
--------	--------	--------------------------

Default Signal Values

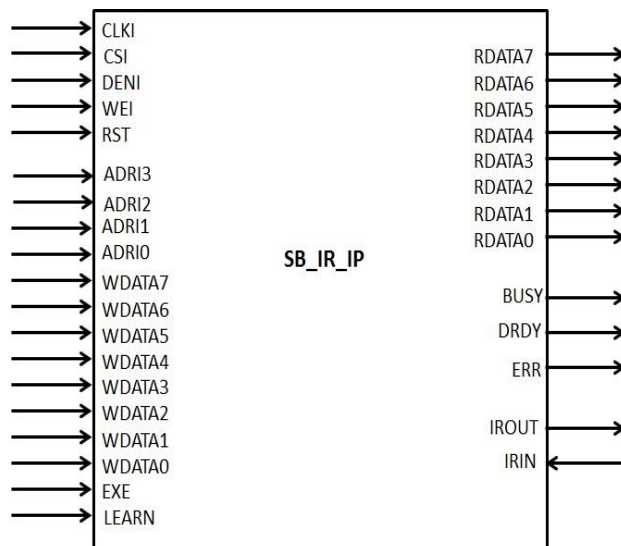
The iCEcube2 software assigns the logic “0” value to all unconnected input ports.

Verilog Instantiation

```
SB_LEDDA_IP PWMgen_inst (
    .LEDDCS(led_cs),
    .LEDDCLK(led_clk),
    .LEDDDAT7(led_ip_data[7]),
    .LEDDDAT6(led_ip_data[6]),
    .LEDDDAT5(led_ip_data[5]),
    .LEDDDAT4(led_ip_data[4]),
    .LEDDDAT3(led_ip_data[3]),
    .LEDDDAT2(led_ip_data[2]),
    .LEDDDAT1(led_ip_data[1]),
    .LEDDDAT0(led_ip_data[0]),
    .LEDDADDR3(led_ip_addr[3]),
    .LEDDADDR2(led_ip_addr[2]),
    .LEDDADDR1(led_ip_addr[1]),
    .LEDDADDR0(led_ip_addr[0]),
    .LEDDDEN(led_ip_den),
    .LEDDEXE(led_ip_exe),
    .LEDDRST(led_ip_rst),
    .PWMOUT0(LED0),
    .PWMOUT1(LED1),
    .PWMOUT2(LED2),
    .LEDDON(led_on)
);
```

SB_IR_IP

SB_IR_IP primitive is the IR transceiver module. It generates or receives the modulated pulse for the IR driver primitives.



Ports

SB_IR_IP Ports		
Signal Name	Direction	Description
CLKI	Input	Clock input for IR IP
CSI	Input	Select Signal. Active High to activate the IP. This usually connects to the output of the decoding logic from MSB of the address bus
DENI	Input	Data Enable. When asserted, indicates that the data and address on the IR Transceiver Control Bus are stabilized and ready to be captured.
WEI	Input	Data Write Enable. Asserted during WRITE and de-asserted during READ cycle.
ADRI3	Input	Control Register Address Bit 3
ADRI2	Input	Control Register Address Bit 2
ADRI1	Input	Control Register Address Bit 1
ADRI0	Input	Control Register Address Bit 0
WDATA7	Input	Write Data Input Bit 7
WDATA6	Input	Write Data Input Bit 6
WDATA5	Input	Write Data Input Bit 5
WDATA4	Input	Write Data Input Bit 4
WDATA3	Input	Write Data Input Bit 3
WDATA2	Input	Write Data Input Bit 2
WDATA1	Input	Write Data Input Bit 1
WDATA0	Input	Write Data Input Bit 0
RDATA7	Output	Read Data Output Bit 7
RDATA6	Output	Read Data Output Bit 6
RDATA5	Output	Read Data Output Bit 5
RDATA4	Output	Read Data Output Bit 4
RDATA3	Output	Read Data Output Bit 3
RDATA2	Output	Read Data Output Bit 2
RDATA1	Output	Read Data Output Bit 1
RDATA0	Output	Read Data Output Bit 0
EXE	Input	Execute. when asserted, starts the IR Transceiver Hard IP to transmit or receive IR data
LEARN	Input	Learning Mode control. When asserted the IR Transceiver is in learning mode. The IR Transceiver will receive data instead of transmit data.
BUSY	Output	Busy status output
DRDY	Output	Data Buffer Ready status output
ERR	Output	Data Error status
RST	Input	Device level reset signal to reset all internal registers and IROUT signal to OFF state during the device configuration. This port is not accessible to user signals.
IRIN	Input	Modulated ON/OFF pulse from IR sensor.
IROUT	Output	Modulated ON/OFF pulse for IR Transmit.

Default Signal Values

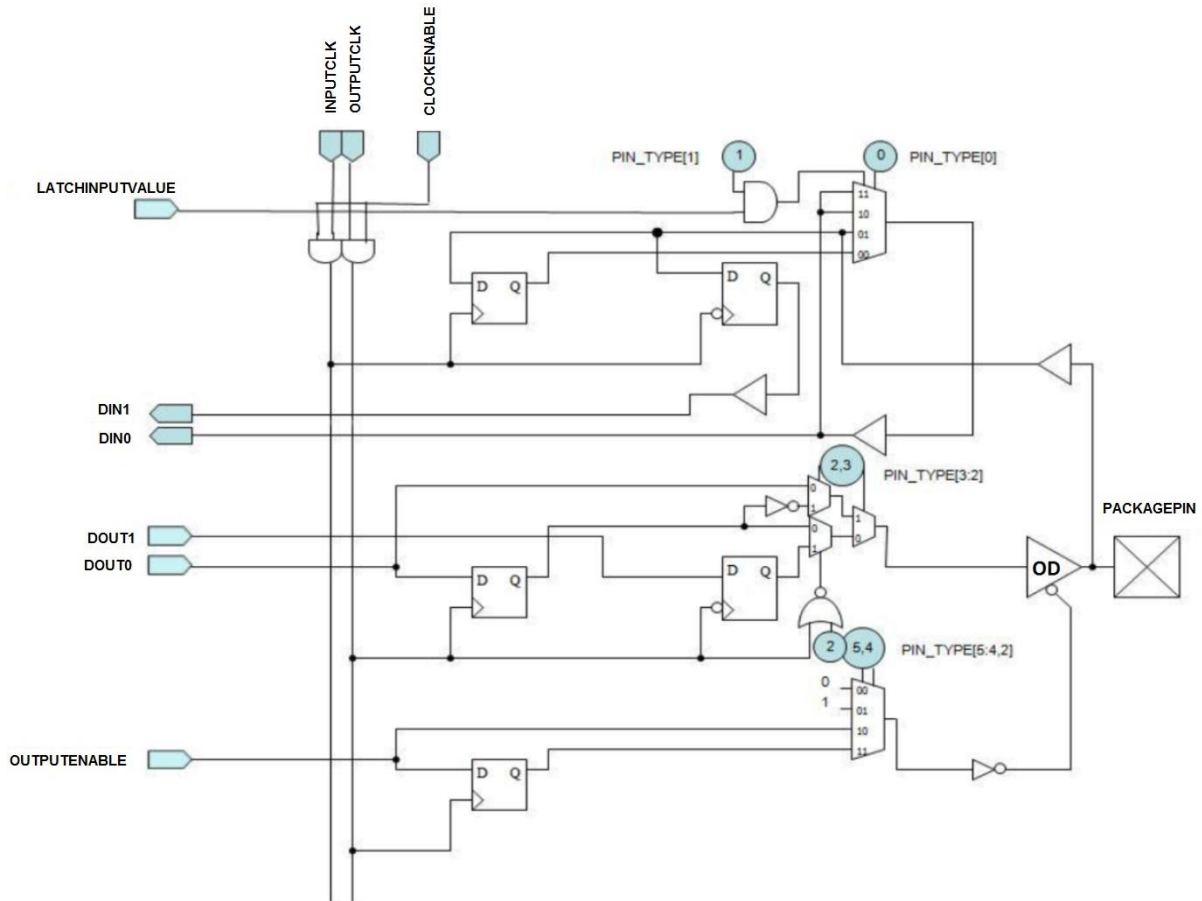
The iCEcube2 software assigns the logic “0” value to all unconnected input ports.

Verilog Instantiation

```
SB_IR_IP IRIP_inst (  
    .CLKI(sysclk_i),  
    .CSI(csi_i),  
    .DENI(deni_i),  
    .WEI(wei_i),  
    .ADRI3(addr_i[3]),  
    .ADRI2(addr_i[2]),  
    .ADRI1(addr_i[1]),  
    .ADRI0(addr_i[0]),  
    .WDATA7(wdata_i[7]),  
    .WDATA6(wdata_i[6]),  
    .WDATA5(wdata_i [5]),  
    .WDATA4(wdata_i [4]),  
    .WDATA3(wdata_i [3]),  
    .WDATA2(wdata_i [2]),  
    .WDATA1(wdata_i [1]),  
    .WDATA0(wdata_i [0]),  
    .RDATA7(rdata_o[7]),  
    .RDATA6(rdata_o[6]),  
    .RDATA5(rdata_o[5]),  
    .RDATA4(rdata_o[4]),  
    .RDATA3(rdata_o[3]),  
    .RDATA2(rdata_o[2]),  
    .RDATA1(rdata_o[1]),  
    .RDATA0(rdata_o[0]),  
    .EXE(exe_i),  
    .LEARN(learn_i),  
    .BUSY(busy_o),  
    .DRDY(drdy_o),  
    .ERR(err_o),  
    .RST(rst_i),  
    .IRIN(irin_i),  
    .IROUT(irpulse_w)  
);
```

SB_IO_OD

The SB_IO_OD is the open drain IO primitive. When the Tristate output is enabled, the IO pulls down the package pin signal to zero. The following figure and Verilog template illustrate the complete user accessible logic diagram, and its Verilog instantiation.



Ports

SB_IO_OD Ports		
Signal Name	Direction	Description
PACKAGEPIN	Bidirectional	Bidirectional IO pin.
LATCHINPUTVALUE	Input	Latches/Holds the input data.
CLOCKENABLE	Input	Clock enable signal.
INPUTCLK	Input	Clock for the input registers.
OUTPUTCLK	Input	Clock for the output registers.
OUTPUTENABLE	Input	Enable Tristate output. Active high.
DOUT0	Input	Data to package pin.
DOUT1	Input	Data to package pin.
DIN0	Output	Data from package pin.
DIN1	Output	Data from package pin.

Default Signal Values

The iCEcube2 software assigns the logic “0” value to all unconnected input ports except for CLOCKENABLE.

Note that explicitly connecting logic “1” value to port CLOCKENABLE will result in a non-optimal implementation, since extra LUT will be used to generate the Logic “1”. If the user’s intention is to keep the Input and Output registers always enabled, it is recommended that port CLOCKENABLE to be left unconnected.

Parameter Values

```
Parameter PIN_TYPE = 6'b000000;  
                                // See Input and Output Pin Function Tables in SB_IO.  
                                // Default value of PIN_TYPE = 6'b000000  
Parameter NEG_TRIGGER = 1'b0;  
                                // Specify the polarity of all FFs in the I/O to be falling edge when  
                                NEG_TRIGGER = 1. Default is 1'b0, rising edge.
```

Input and Output Pin Function Tables

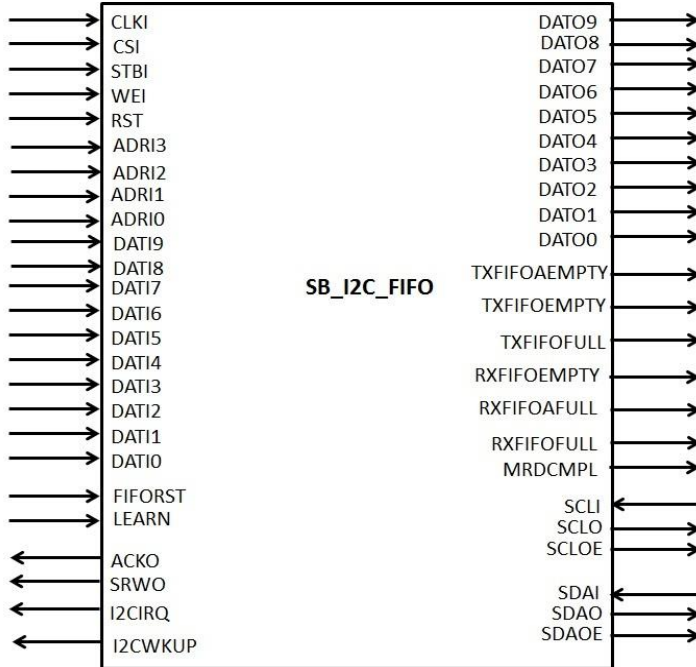
Refer SB_IO Input and Output Pin Functional Table for the PIN_TYPE settings. Some of the output pin configurations are not applicable for SB_IO_OD primitive.

Verilog Instantiation

```
SB_IO_OD    OpenDrainInst0  
(  
  .PACKAGEPIN (PackagePin),           // User’s Pin signal name  
  .LATCHINPUTVALUE (latchinputvalue), // Latches/holds the Input value  
  .CLOCKENABLE (clockenable),         // Clock Enable common to input and  
                                       // output clock  
  .INPUTCLK (inputclk),                // Clock for the input registers  
  .OUTPUTCLK (outputclk),             // Clock for the output registers  
  .OUTPUTENABLE (outputenable),       // Output Pin Tristate/Enable  
                                       // control  
  .DOUT0 (dout0),                     // Data 0 - out to Pin/Rising clk  
                                       // edge  
  .DOUT1 (dout1),                     // Data 1 - out to Pin/Falling clk  
                                       // edge  
  .DIN0 (din0),                       // Data 0 - Pin input/Rising clk  
                                       // edge  
  .DIN1 (din1),                       // Data 1 - Pin input/Falling clk  
                                       // edge  
);  
  
defparam OpenDrainInst0.PIN_TYPE = 6'b000000;  
defparam OpenDrainInst0.NEG_TRIGGER = 1'b0;
```

SB_I2C_FIFO

iCE40UL device supports two I2C hard IP primitives , located at bottom left corner and bottom right corner of the chip.



Ports

SB_I2C_FIFO Ports		
Signal Name	Direction	Description
CLKI	Input	System Clock input
CSI	Input	Select Signal. Active High to activate the IP. This usually connects to the output of the decoding logic from MSB of the address bus
STBI	Input	Strobe Signal
WEI	Input	Write Enable Signal
ADRI3	Input	Control Register Address Bit 3
ADRI2	Input	Control Register Address Bit 2
ADRI1	Input	Control Register Address Bit 1
ADRI0	Input	Control Register Address Bit 0
DATI9	Input	Data Input Bit 9
DATI8	Input	Data Input Bit 8
DATI7	Input	Data Input Bit 7
DATI6	Input	Data Input Bit 6
DATI5	Input	Data Input Bit 5
DATI4	Input	Data Input Bit 4
DATI3	Input	Data Input Bit 3
DATI2	Input	Data Input Bit 2
DATI1	Input	Data Input Bit 1
DATI0	Input	Data Input Bit 0
DATO9	Output	Data Output Bit 9
DATO8	Output	Data Output Bit 8
DATO7	Output	Data Output Bit 7

DATO6	Output	Data Output Bit 6
DATO5	Output	Data Output Bit 5
DATO4	Output	Data Output Bit 4
DATO3	Output	Data Output Bit 3
DATO2	Output	Data Output Bit 2
DATO1	Output	Data Output Bit 1
DATO0	Output	Data Output Bit 0
ACKO	Output	Acknowledgement
I2CIRQ	Output	I2C Interrupt output
I2CWKUP	Output	I2C Wake up from Standby signal
SRWO	Output	Slave RW "1" master receiving / Slave transmitting "0" master transmitting / Slave receiving
SCLI	Input	Serial Clock Input
SCLO	Output	Serial Clock Output
SCLOE	Output	Serial Clock Output Enable. Active High
SDAI	Input	Serial Data Input
SDAO	Output	Serial Data Output
SDAOE	Output	Serial Data Output Enable. Active High
FIFORST ¹	Input	RESET for the FIFO logic
TXFIFOEMPTY ¹	Output	TX FIFO Status Signal
TXFIFOEMPTY ¹	Output	TX FIFO Status Signal
TXFIFOFULL ¹	Output	TX FIFO Status Signal
RXFIFOAFULL ¹	Output	RX FIFO Status Signal
RXFIFOFULL ¹	Output	RX FIFO Status Signal
RXFIFOEMPTY ¹	Output	RX FIFO Status Signal
MRDCMPL ¹	Output	Master Read Complete (only valid for Master Read Mode)

Note ¹: Only available if I2C_FIFO_ENB = ENABLED.

Parameters

I2C Location	Parameters	Parameter Default	Description
Left Side Corner	I2C_SLAVE_ADDR	0b1111100001	Upper Bits <9:2> can be changed through control registers. Lower bits <1:0> are fixed.
Right Side	I2C_SLAVE_ADDR	0b1111100010	Upper Bits <9:2> can be changed through control registers. Lower bits <1:0> are fixed.

Synthesis Attribute

I2C_CLK_DIVIDER

Synthesis attribute "I2C_CLK_DIVIDER" is used by PNR and STA tools for optimization and deriving the appropriate clock frequency at SCLO output with respect to the SBCLKI input clock frequency.

/* synthesis I2C_CLK_DIVIDER= Divide Value */
Divide Value: 0, 1, 2, 3 ... 1023. Default is 0.

SDA_INPUT_DELAYED

SDA_INPUT_DELAYED attribute is used to add 50ns additional delay to the SDAI signal.

/* synthesis SDA_INPUT_DELAYED= value */

Value:
0: No delay.
1: Add 50ns delay. (Default value).

SDA_OUTPUT_DELAYED

SDA_OUTPUT_DELAYED attribute is used to add 50ns additional delay to the SDAO signal.

```
/* synthesis SDA_OUTPUT_DELAYED= value */
```

Value:
0: No delay (Default value).
1: Add 50ns delay.

I2C_FIFO_ENB

“I2C_FIFO_ENB” attribute is used to enable or disable FIFO

```
/* synthesis I2C_FIFO_ENB= [value] */
```

Value:
ENABLED : FIFO mode will be enabled.
DISABLED : FIFO mode will be disabled.

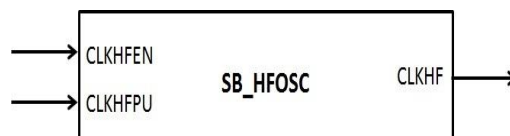
iCE40UP (iCE40 Ultra Plus) Hard Macros

This section describes the following dedicated hard macro primitives available in iCE40UP device.

SB_HFOSC
 SB_LFOSC
 SB_RGBA_DRV
 SB_LEDDA_IP
 SB_IO_OD
 SB_I2C
 SB_SPI
 SB_MAC16
 SB_SPRAM256KA
 SB_IO_I3C

SB_HFOSC

SB_HFOSC primitive generates 48MHz nominal clock frequency within +/- 10% variation, with user programmable divider value of 1, 2, 4, and 8. The HFOSC can drive either the global clock network or fabric routes directly based on the clock network selection.



Ports

SB_HFOSC Ports		
Signal Name	Direction	Description
CLKHFPU	Input	Power up the HFOSC circuit. After power up, oscillator output will be stable after 100us. Active High.
CLKHFEN	Input	Enable the clock output. Enable should be low for the 100us power up period. Active High.
CLKHF	Output	HF Oscillator output.

Parameters

Parameter	Parameter Values.	Description.
CLKHF_DIV	"0b00"	Sets 48MHz HFOSC output.
	"0b01"	Sets 24MHz HFOSC output.
	"0b10"	Sets 12MHz HFOSC output.
	"0b11"	Sets 6MHz HFOSC output

Default Signal Values

The iCEcube2 software assigns the following signal value to unconnected port:
 Input CLKHFEN: Logic "0"
 Input CLKHFPU: Logic "0"

Clock Network Selection

By default the oscillator use one of the dedicated clock networks in the device to drive the elements. The user may configure the oscillator to use the fabric routes instead of global clock network using the synthesis attribute.

Synthesis Attributes

```
/* synthesis ROUTE_THROUGH_FABRIC = <value> */
```

Value:

0: Use dedicated clock network. Default option.

1: Use fabric routes.

Verilog Instantiation

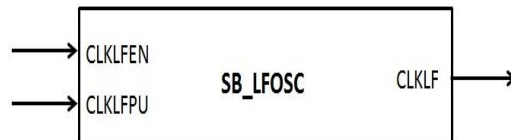
```
SB_HFOSC OSCInst0 (  
  .CLKHFEN(ENCLKHF),  
  .CLKHFPU(CLKHF_POWERUP),  
  .CLKHF(CLKHF)  
) /* synthesis ROUTE_THROUGH_FABRIC= [0|1] */;
```

```
defparam OSCInst0.CLKHF_DIV = "0b00";
```

SB_LFOSC

SB_LFOSC primitive generates 10 KHz nominal clock frequency within +/- 10% variation. There is no divider on the LFOSC.

The LFOSC can drive either the global clock network or fabric routes directly based on the clock network selection



Ports

SB_LFOSC Ports		
Signal Name	Direction	Description
CLKLFPU	Input	Power up the LFOSC circuit. After power up, oscillator output will be stable after 100us. Active High.
CLKLFEN	Input	Enable the clock output. Enable should be low for the 100us power up period. Active High.
CLKLF	Output	LF Oscillator output.

Default Signal Values

The iCEcube2 software assigns the following signal value to unconnected port:

Input CLKLFEN: Logic "0"

Input CLKLFPU: Logic "0"

Clock Network Selection

By default the oscillator use one of the dedicated clock networks in the device to drive the elements. The user may configure the oscillator to use the fabric routes instead of global clock network using the synthesis attribute.

Synthesis Attributes

```
/* synthesis ROUTE_THROUGH_FABRIC = <value> */
```

Value:

0: Use dedicated clock network. Default option.

1: Use fabric routes.

Verilog Instantiation

```
SB_LFOSC OSCInst1 (
    .CLKLFEN(ENCLKLF),
    .CLKLFPU(CLKLF_POWERUP),
    .CLKLF(CLKLF)
) /* synthesis ROUTE_THROUGH_FABRIC= [0|1] */;
```

SB_RGBA_DRV

SB_RGBA_DRV primitive is the RGB LED drive module which contains 3 dedicated open drain I/O pins for RGB LED outputs. Each of the RGB LED output is bonded out together with an SB_IO_OD primitive to the package pin. User can either use SB_RGBA_DRV primitive or the SB_IO_OD primitive to drive the package pin, but not both.

The primitive allows configuration of each of the 3 RGB LED outputs individually. When the RGBx_CURRENT parameter of RGBx output is set to "0b000000", then SB_IO_OD can be used to drive the package pin.



Ports

SB_RGBA_DRV Ports		
Signal Name	Direction	Description
CURREN	Input	Enable the mixed signal control block to supply reference current to the IR drivers. When it is not enabled (CURREN=0), no current is supplied, and the IR drivers are powered down. Enabling the mixed signal control block takes 100us to reach a stable reference current value.
RGBLEDEN	Input	Enable the SB_RGBA_DRV primitive. Active High.
RGB0PWM	Input	Input data to drive RGB0 LED pin. This input is usually driven from the SB_LEDD_IP.
RGB1PWM	Input	Input data to drive RGB1 LED pin. This input is usually

		driven from the SB_LEDD_IP.
RGB2PWM	Input	Input data to drive RGB2 LED pin. This input is usually driven from the SB_LEDD_IP.
RGB0	Output	RGB0 LED output.
RGB1	Output	RGB1 LED output.
RGB2	Output	RGB2 LED output.

Default Signal Values

The iCEcube2 software assigns the following signal value to unconnected port:

Input CURREN : Logic "0"
 Input RGBLEDEN : Logic "0"
 Input RGB0PWM : Logic "0"
 Input RGB1PWM : Logic "0"
 Input RGB2PWM : Logic "0"

Parameters

The SB_RGBA_DRV primitive contains the following parameter and their default values:

Parameter CURRENT_MODE = "0b0";

Parameter values:

"0b0" = Full Current Mode (Default).

"0b1" = Half Current Mode.

Parameter RGB0_CURRENT = "0b000000";

Parameter RGB1_CURRENT = "0b000000";

Parameter RGB2_CURRENT = "0b000000";

Parameter values:

"0b000000" = 0mA. // Set this value to use the associated SB_IO_OD instance at RGB
 // LED location.

"0b000001" = 4mA for Full Mode; 2mA for Half Mode

"0b000011" = 8mA for Full Mode; 4mA for Half Mode

"0b000111" = 12mA for Full Mode; 6mA for Half Mode.

"0b001111" = 16mA for Full Mode; 8mA for Half Mode

"0b011111" = 20mA for Full Mode; 10mA for Half Mode.

"0b111111" = 24mA for Full Mode; 12mA for Half Mode.

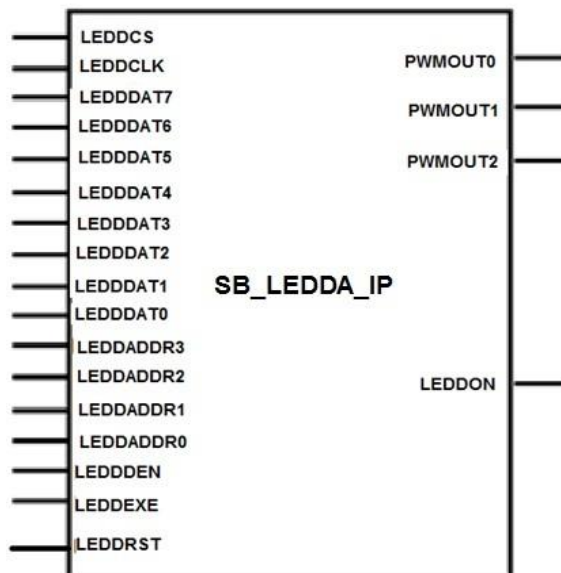
Verilog Instantiation

```
SB_RGBA_DRV RGBA_DRIVER (
    .CURREN(ENABLE_CURR),
    .RGBLEDEN(ENABLE_RGBDRV),
    .RGB0PWM(RGB0),
    .RGB1PWM(RGB1),
    .RGB2PWM(RGB2),
    .RGB0(LED0),
    .RGB1(LED1),
    .RGB2(LED2)
);

defparam RGBA_DRIVER.CURRENT_MODE = "0b0";
defparam RGBA_DRIVER.RGB0_CURRENT = "0b111111";
defparam RGBA_DRIVER.RGB1_CURRENT = "0b111111";
defparam RGBA_DRIVER.RGB2_CURRENT = "0b111111";
```

SB_LEDDA_IP

SB_LEDDA_IP primitive generates the RGB PWM outputs for the RGB LED drivers. The IP contains registers that are programmed in by the SCI bus interface signals.



Ports

SB_LEDDA_IP Ports		
Signal Name	Direction	Description
LEDDCS	Input	CS to write LEDD IP registers
LEDDCLK	Input	Clock to write LEDD IP registers
LEDDDAT7	Input	bit 7 data to write into the LEDD IP registers
LEDDDAT6	Input	bit 6 data to write into the LEDD IP registers
LEDDDAT5	Input	bit 5 data to write into the LEDD IP registers
LEDDDAT4	Input	bit 4 data to write into the LEDD IP registers
LEDDDAT3	Input	bit 3 data to write into the LEDD IP registers
LEDDDAT2	Input	bit 2 data to write into the LEDD IP registers
LEDDDAT1	Input	bit 1 data to write into the LEDD IP registers
LEDDDAT0	Input	bit 0 data to write into the LEDD IP registers
LEDDADDR3	Input	LEDD IP register address bit 3
LEDDADDR2	Input	LEDD IP register address bit 2
LEDDADDR1	Input	LEDD IP register address bit 1
LEDDADDR0	Input	LEDD IP register address bit 0
LEDDDEN	Input	Data enable input to indicate data and address are stable.
LEDDEXE	Input	Enable the IP to run the blinking sequence. When it is LOW, the sequence stops at the nearest OFF state.
LEDDRST	Input	Device level reset signal to reset all internal registers during the device configuration. This port is not accessible to user signals.
PWMOUT0	Output	PWM output 0
PWMOUT1	Output	PWM output 1
PWMOUT2	Output	PWM output 2

LEDDON	Output	Indicating the LED is on
--------	--------	--------------------------

Default Signal Values

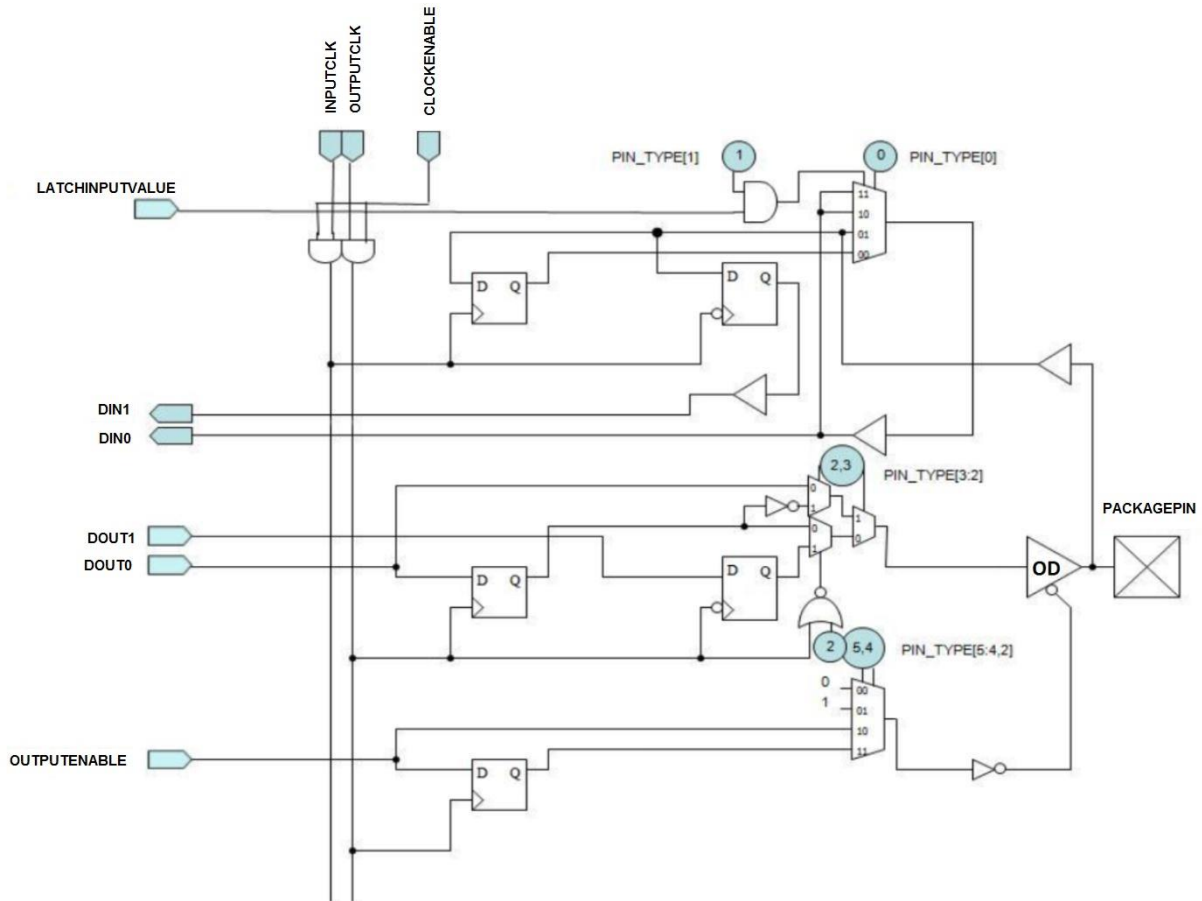
The iCEcube2 software assigns the logic “0” value to all unconnected input ports.

Verilog Instantiation

```
SB_LEDDA_IP PWMgen_inst (
    .LEDDCS(led_cs),
    .LEDDCLK(led_clk),
    .LEDDDAT7(led_ip_data[7]),
    .LEDDDAT6(led_ip_data[6]),
    .LEDDDAT5(led_ip_data[5]),
    .LEDDDAT4(led_ip_data[4]),
    .LEDDDAT3(led_ip_data[3]),
    .LEDDDAT2(led_ip_data[2]),
    .LEDDDAT1(led_ip_data[1]),
    .LEDDDAT0(led_ip_data[0]),
    .LEDDADDR3(led_ip_addr[3]),
    .LEDDADDR2(led_ip_addr[2]),
    .LEDDADDR1(led_ip_addr[1]),
    .LEDDADDR0(led_ip_addr[0]),
    .LEDDDEN(led_ip_den),
    .LEDDEXE(led_ip_exe),
    .LEDDRST(led_ip_rst),
    .PWMOUT0(LED0),
    .PWMOUT1(LED1),
    .PWMOUT2(LED2),
    .LEDDON(led_on)
);
```

SB_IO_OD

The SB_IO_OD is the open drain IO primitive. When the Tristate output is enabled, the IO pulls down the package pin signal to zero. The following figure and Verilog template illustrate the complete user accessible logic diagram, and its Verilog instantiation.



Ports

SB_IO_OD Ports		
Signal Name	Direction	Description
PACKAGEPIN	Bidirectional	Bidirectional IO pin.
LATCHINPUTVALUE	Input	Latches/Holds the input data.
CLOCKENABLE	Input	Clock enable signal.
INPUTCLK	Input	Clock for the input registers.
OUTPUTCLK	Input	Clock for the output registers.
OUTPUTENABLE	Input	Enable Tristate output. Active high.
DOUT0	Input	Data to package pin.
DOUT1	Input	Data to package pin.
DIN0	Output	Data from package pin.
DIN1	Output	Data from package pin.

Default Signal Values

The iCEcube2 software assigns the logic “0” value to all unconnected input ports except for CLOCKENABLE.

Note that explicitly connecting logic “1” value to port CLOCKENABLE will result in a non-optimal implementation, since extra LUT will be used to generate the Logic “1”. If the user’s intention is to keep

the Input and Output registers always enabled, it is recommended that port CLOCKENABLE to be left unconnected.

Parameter Values

```
Parameter PIN_TYPE = 6'b000000;  
    // See Input and Output Pin Function Tables in SB_IO.  
    // Default value of PIN_TYPE = 6'b000000  
Parameter NEG_TRIGGER = 1'b0;  
    // Specify the polarity of all FFs in the I/O to be falling edge when  
    NEG_TRIGGER = 1. Default is 1'b0, rising edge.
```

Input and Output Pin Function Tables

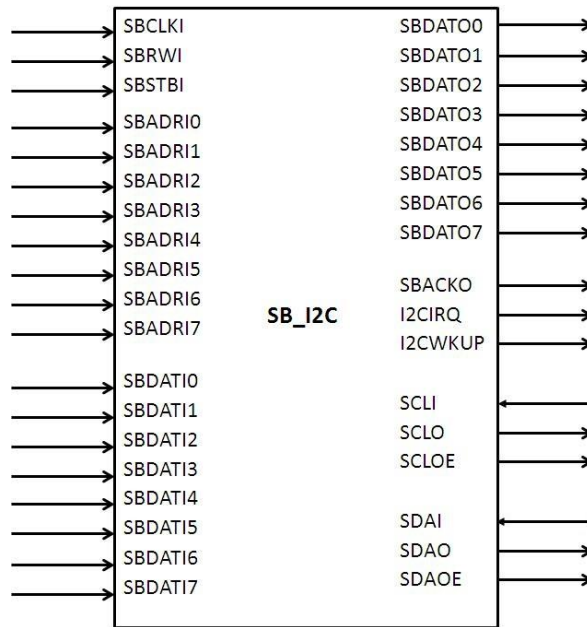
Refer SB_IO Input and Output Pin Functional Table for the PIN_TYPE settings. Some of the output pin configurations are not applicable for SB_IO_OD primitive.

Verilog Instantiation

```
SB_IO_OD    OpenDrainInst0  
(  
  .PACKAGEPIN (PackagePin),           // User's Pin signal name  
  .LATCHINPUTVALUE (latchinputvalue), // Latches/holds the Input value  
  .CLOCKENABLE (clockenable),         // Clock Enable common to input and  
  // output clock  
  .INPUTCLK (inputclk),               // Clock for the input registers  
  .OUTPUTCLK (outputclk),            // Clock for the output registers  
  .OUTPUTENABLE (outputenable),      // Output Pin Tristate/Enable  
  // control  
  .DOUT0 (dout0),                    // Data 0 - out to Pin/Rising clk  
  // edge  
  .DOUT1 (dout1),                    // Data 1 - out to Pin/Falling clk  
  // edge  
  .DIN0 (din0),                      // Data 0 - Pin input/Rising clk  
  // edge  
  .DIN1 (din1),                      // Data 1 - Pin input/Falling clk  
  // edge  
);  
  
defparam OpenDrainInst0.PIN_TYPE = 6'b000000;  
defparam OpenDrainInst0.NEG_TRIGGER = 1'b0;
```

SB_I2C

iCE40UP device supports two I2C hard IP primitives , located at upper left corner and upper right corner of the chip.



Ports

The port interface is similar as iCE40LM/iCE5LP SB_I2C primitive. Refer Page 114.

Parameters

The parameters are same as ICE40LM/iCE5LP SB_I2C primitive.

Synthesis Attribute

I2C_CLK_DIVIDER

Synthesis attribute "I2C_CLK_DIVIDER" is used by PNR and STA tools for optimization and deriving the appropriate clock frequency at SCLO output with respect to the SBCLKI input clock frequency.

```
/* synthesis I2C_CLK_DIVIDER= Divide Value */
```

Divide Value: 0, 1, 2, 3 ... 1023. Default is 0.

SDA_INPUT_DELAYED

SDA_INPUT_DELAYED attribute is used to add 50ns additional delay to the SDAI signal.

```
/* synthesis SDA_INPUT_DELAYED= value */
```

Value:

- 0: No delay.
- 1: Add 50ns delay. (Default value).

SDA_OUTPUT_DELAYED

SDA_OUTPUT_DELAYED attribute is used to add 50ns additional delay to the SDAO signal.

```
/* synthesis SDA_OUTPUT_DELAYED= value */
```

Value:

- 0: No delay (Default value).
- 1: Add 50ns delay.

SCL_INPUT_FILTERED

SCL_INPUT_FILTERED attribute is used to add 50ns glitch filter to the SCLI signal.

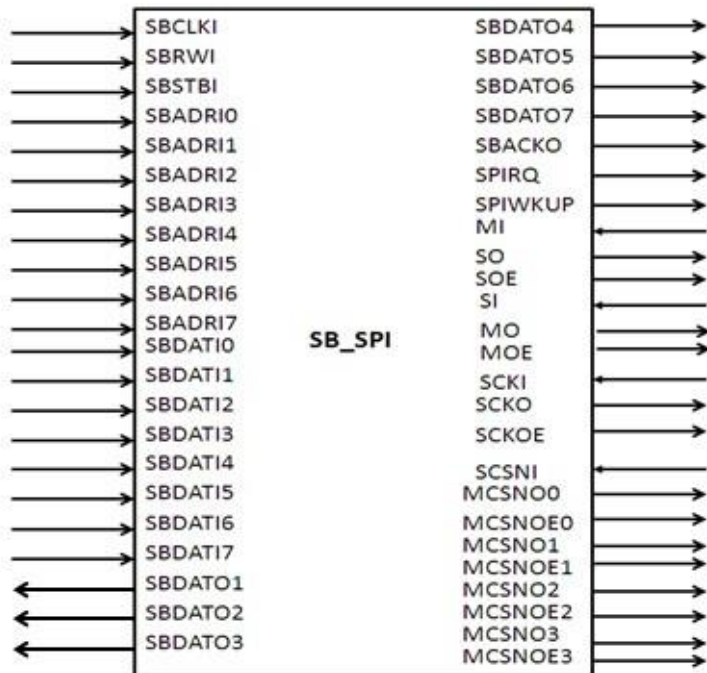
```
/* synthesis SCL_INPUT_FILTERED= value */
```

Value:

- 0: No Filter delay (Default value).
- 1: Add 50ns glitch filter delay.

SB_SPI

iCE40UP device supports two SPI hard IP primitives, located at lower left corner and lower right corner of the chip. The port interface of SB_SPI is similar as ICE40LM/iCE5LP SB_SPI primitive. Refer Page 117.



Ports

The port interface is similar as iCE40LM/iCE5LP SB_SPI primitive. Refer Page 117.

Parameters

The parameters are same as ICE40LM/iCE5LP SB_SPI primitive.

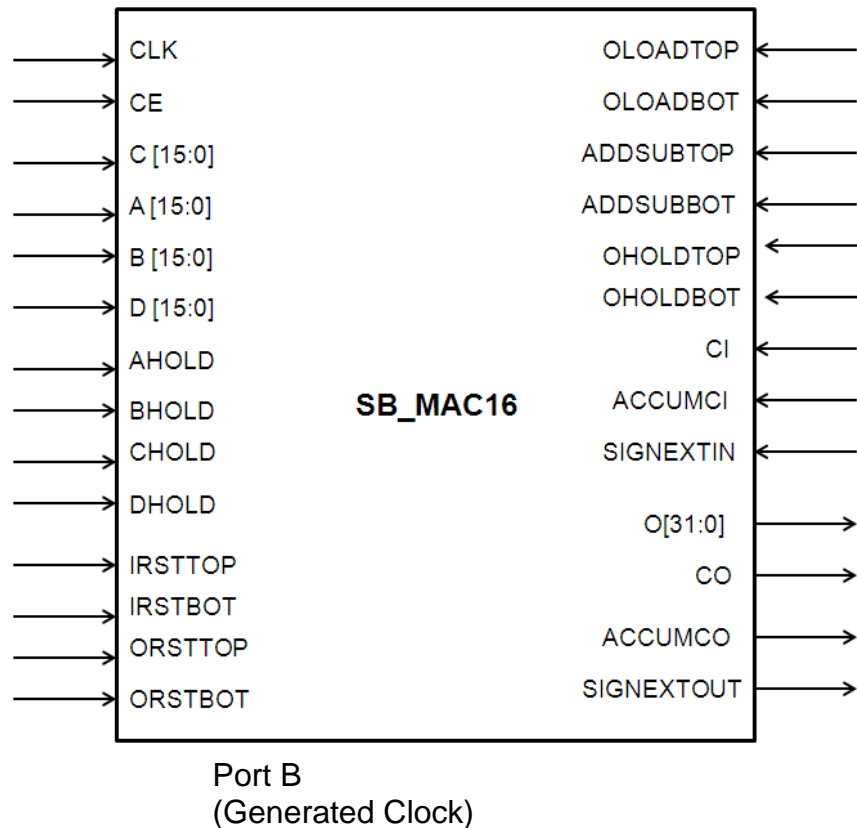
Synthesis Attribute

The synthesis attribute is same as ICE40LM/iCE5LP SB_SPI primitive.

SB_MAC16

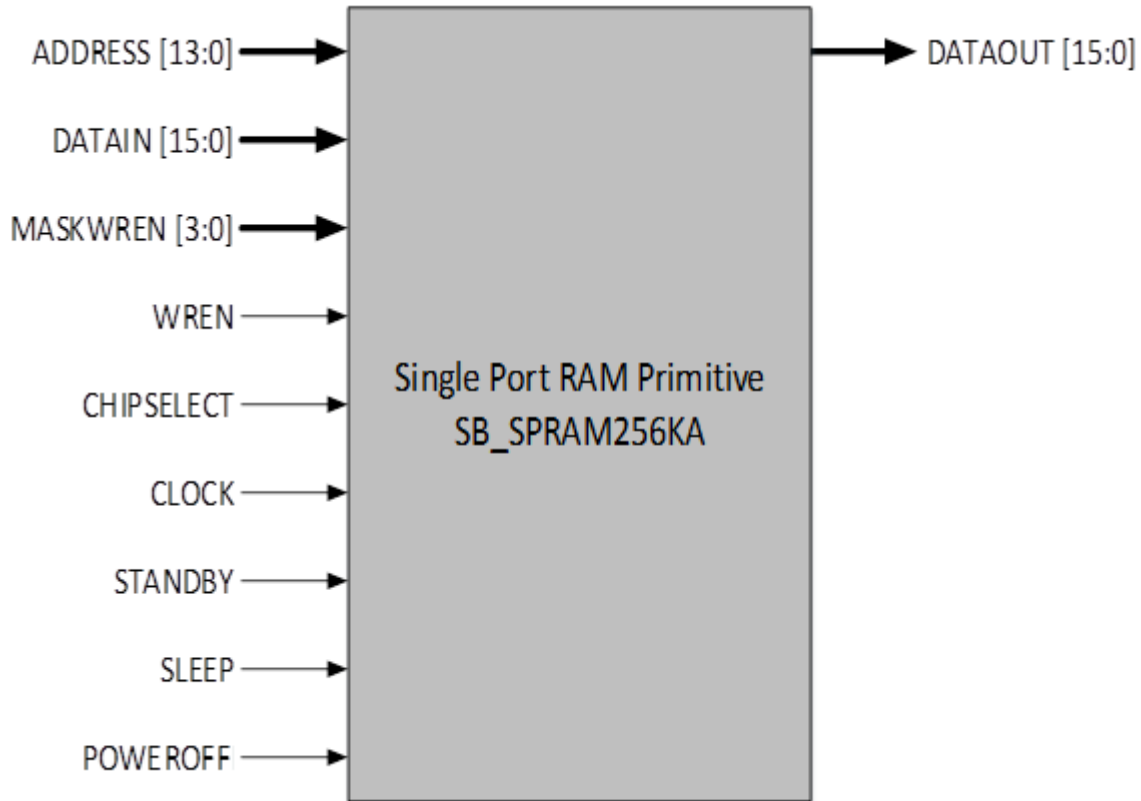
The SB_MAC16 primitive is the dedicated configurable DSP block available in iCE5LP/iCE40UP devices. The SB_MAC16 can be configured into a multiplier, adder, subtracter, accumulator, multiply-add and multiply-sub through the instance parameters. The SB_MAC16 blocks can be cascaded to implement wider functional units.

iCEcube2 supports a set of predefined SB_MAC16 functional configurations. Refer Page 133 for SB_MAC16 functional model, port details and the list of supported configurations.



SB_SPRAM256KA

iCE40UP devices offer four embedded memory blocks of Single Port RAM. Each of these blocks can be configured in 16K x 16 mode. These RAM blocks can be cascaded using logic implemented in the fabric to create larger memories.



Ports

Port Name	Port Width	Default Value	Description
ADDRESS	[13:0]	14b'000000 00000000	This Address input port is used to address the location to be written during the write cycle and read during the read cycle.
DATAIN	[15:0]	16b'000000 0000000000	The data input bus used to write the data into the memory location specified by address input port during the write cycle.

MASKWREN	[3:0]	4b'1111	The Bit Write feature where selective write to individual I/O's can be done using the Maskable Write Enable signals. Each bit masks a nibble of DATAIN.
WREN	[0:0]	1b'0	When the Write Enable input is Logic High, the memory is in the write cycle. When the Write enable is Logic Low, the memory is in the Read Cycle.
CHIPSELECT	[0:0]	1b'0	When the memory enable input is Logic High, the memory is enabled and read/write operations can be performed. When memory Enable input is logic Low, the memory is deactivated.
CLOCK	[0:0]	-	This is the external clock for the memory.
STANDBY	[0:0]	1b'0	When this pin is active then memory goes into low leakage mode, there is no change in the output state.
SLEEP	[0:0]	1b'0	This pin shut down power to periphery and maintain memory contents. The outputs of the memory are pulled low.
POWEROFF	[0:0]	1b'1	This pin turns off the power to the memory core when it is driven low (1'b0). There is no memory data retention when it is driven low. When POWEROFF is driven high (1'b1), the SPRAM is powered on.
DATAOUT	[15:0]	-	It outputs the contents of the memory location addressed by the Address Input signals.

The default value of each MASKWREN is 1. In order to mask a nibble of DATAIN, the MASKWREN needs to be pulled low (0).

The following shows which MASKWREN bits enables the mask for the DATAIN nibbles.

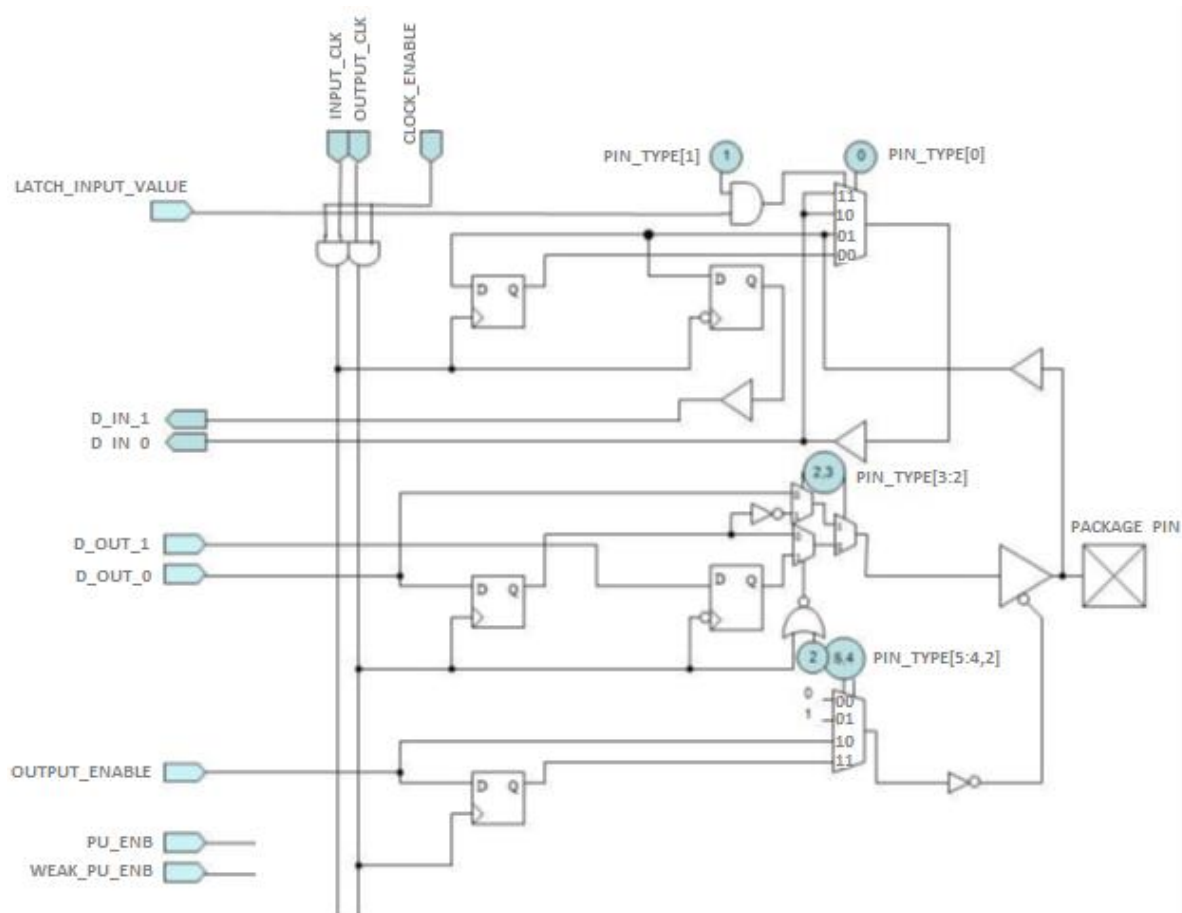
MASKWREN(3) enables mask for DATAIN(15:12)
 MASKWREN(2) enables mask for DATAIN (11:8)
 MASKWREN(1) enables mask for DATAIN (7:4)

MASKWREN(0) enables mask for DATAIN(3:0)

SB_IO_I3C

ICE40UP devices contain 2 special purpose IO blocks. These blocks are same as SB_IO, but have two additional user control signals PU_ENB, WEAK_PU_ENB to enable/disable the resistor networks. These blocks are useful in I3C applications.

The SB_IO_I3C block contains five registers. The following figure and Verilog template illustrate the complete user accessible logic diagram, and its Verilog instantiation.



Default Signal Values

The iCEcube2 software assigns the logic '0' value to all unconnected input ports except for CLOCK_ENABLE.

Note that explicitly connecting a logic '1' value to port CLOCK_ENABLE will result in a non-optimal implementation, since an extra LUT will be used to generate the Logic '1'. If the user's intention is to keep the Input and Output registers always enabled, it is recommended that port CLOCK_ENABLE be left unconnected.

Explicitly connecting a logic "0" value to port PU_ENB and/or WEAK_PU_ENB will result extra LUTs will be used to generate the Logic "0". If it is intended to always enable the pull-up and/or weak pull-up, it is recommended the associated port be left unconnected.

Input and Output Pin Function Tables

Input and Output functions are independently selectable via PIN_TYPE [1:0] and PIN_TYPE [5:2] parameter settings respectively. Specific IO functions are defined by the combination of both attributes. This means that the complete number of combinations is 64, although some combinations are not valid and not defined below.

Note that the selection of IO Standards such as LVCMOS etc is not defined by these tables.

Input Pin Function Table				
#	Pin Function Mnemonic	PIN_TYPE[1:0]		Functional Description of Package Pin Input Operation
1	PIN_INPUT	0	1	Simple input pin (D_IN_0)
2	PIN_INPUT_LATCH	1	1	Disables internal data changes on the physical input pin by latching the value.
3	PIN_INPUT_REGISTERED	0	0	Input data is registered in input cell
4	PIN_INPUT_REGISTERED_LATCH	1	0	Disables internal data changes on the physical input pin by latching the value on the input register
5	PIN_INPUT_DDR	0	0	Input 'DDR' data is clocked out on rising and falling clock edges. Use the D_IN_0 and D_IN_1 pins for DDR operation.

Output Pin Function table						
#	Pin Function Mnemonic	PIN_TYPE[5:2]				Functional Description of Package Pin Output Operation
1	PIN_NO_OUTPUT	0	0	0	0	Disables the output function
2	PIN_OUTPUT	0	1	1	0	Simple output pin, (no enable)
3	PIN_OUTPUT_TRISTATE	1	0	1	0	The output pin may be tristated using the enable
4	PIN_OUTPUT_ENABLE_REGISTERED	1	1	1	0	The output pin may be tristated using a registered enable signal
5	PIN_OUTPUT_REGISTERED	0	1	0	1	Output registered, (no enable)
6	PIN_OUTPUT_REGISTERED_ENABLE	1	0	0	1	Output registered with enable (enable is not registered)
7	PIN_OUTPUT_REGISTERED_ENABLE_REGISTERED	1	1	0	1	Output registered and enable registered
8	PIN_OUTPUT_DDR	0	1	0	0	Output 'DDR' data is clocked out on rising and falling clock edges
9	PIN_OUTPUT_DDR_ENABLE	1	0	0	0	Output data is clocked out on rising and falling clock edges
10	PIN_OUTPUT_DDR_ENABLE_REGISTERED	1	1	0	0	Output 'DDR' data with registered enable signal
11	PIN_OUTPUT_REGISTERED_INVERTED	0	1	1	1	Output registered signal is inverted
12	PIN_OUTPUT_REGISTERED_ENABLE_INVERTED	1	0	1	1	Output signal is registered and inverted, (no enable function)
13	PIN_OUTPUT_REGISTERED_ENABLE_REGISTERED_INVERTED	1	1	1	1	Output signal is registered and inverted, the enable/tristate control is registered.

Syntax Verilog Use

Output Pin Function is the bit vector associated with PIN_TYPE [5:2] and Input Pin Function is the bit vector associated with PIN_TYPE [1:0], resulting in a 6 bit value PIN_TYPE [5:0]

```
defparam my_generic_IO.PIN_TYPE = 6'b{Output Pin Function, Input Pin Function};
```

Pull Up Resistor Configuration.

The user can configure the internal pull up resistor strength of an IO to a predefined resistor value via parameter settings and synthesis attributes. The PULLUP parameter setting enables one of the resistor values as given in table 1 and WEAKPULLUP parameter setting enables the 100K pull up resistor.

The specific resistor value associated with the PULLUP parameter needs to specify via PULLUP_RESISTOR attribute. The PULLUP_RESISTOR value is effective only when PULLUP parameter is set to 1.

Both the PULLUP & WEAKPULLUP parameters are allowed to set simultaneously. When both parameters are set the effective pull up resistor values is [100K || {3P3K/6P8K/10K}]

Once the required parameters, attribute values are set, the active low PU_ENB, WEAK_PU_ENB signals allows the user to control the pull up resistor network dynamically.

Synthesis Attribute Syntax:

```
/* synthesis PULLUP_RESISTOR = "3P3K" */
```

Resistor Value:

Resistor Value	Description.
"3P3K"	Pull up resistor level is 3.3K.
"6P8K"	Pull up resistor level is 6.8K.
"10K"	Pull up resistor level is 10K.

Note: The PULLUP_RESISTOR value is effective only when PULLUP parameter is set to 1.

Verilog Instantiation

```
SB_IO_I3C I3CIO_INST
(
  .PACKAGE_PIN (Package_Pin),           // User's Pin signal name
  .LATCH_INPUT_VALUE (latch_input_value), // Latches/holds the Input value
  .CLOCK_ENABLE (clock_enable),         // Clock Enable common to input and
  // output clock
  .INPUT_CLK (input_clk),               // Clock for the input registers
  .OUTPUT_CLK (output_clk),             // Clock for the output registers
  .OUTPUT_ENABLE (output_enable),       // Output Pin Tristate/Enable
  // control
  .D_OUT_0 (d_out_0),                   // Data 0 - out to Pin/Rising clk
  // edge
  .D_OUT_1 (d_out_1),                   // Data 1 - out to Pin/Falling clk
  // edge
  .D_IN_0 (d_in_0),                     // Data 0 - Pin input/Rising clk
  // edge
  .D_IN_1 (d_in_1),                     // Data 1 - Pin input/Falling clk
  // edge
)
```

```

.PU_ENB (pu_enb), // Active low Pull Up resistor
                  Enable -Default to GND
.WEAK_PU_ENB (weak_pu_enb) //Active low Weak Pull Up Enable
                           for 100K resistor. Default to GND

) /* synthesis PULLUP_RESISTOR "3P3K" */ ;
defparam I3CIO_INST.PIN_TYPE = 6'b000000;
                           // See Input and Output Pin Function Tables.
                           // Default value of PIN_TYPE = 6'000000 i.e.
                           // an input pad, with the input signal
                           // registered.
defparam I3CIO_INST.PULLUP = 1'b0;
                           // By default, the IO will have NO pull up.
defparam I3CIO_INST.WEAK_PULLUP = 1'b0;
                           // By default, the IO will have NO weak pull
up.
defparam I3CIO_INST.NEG_TRIGGER = 1'b0;
defparam I3CIO_INST.IO_STANDARD = "SB_LVCMOS";

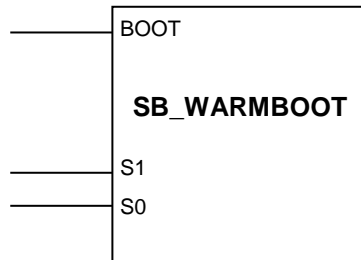
```

Device Configuration Primitives

SB_WARMBOOT

iCE FPGA devices permit the user to load a different configuration image during regular operation. Through the use of the Warm Boot Primitive, the user can load one of 4 pre-defined configuration images into the iCE FPGA device.

Note that this Warm Boot mode is different from the Cold Boot operation, which is executed during the initial device boot-up sequence.



The selection of one of these 4 images is accomplished through 2 input signals, S1 and S0. In order to trigger the selection of a new image, an additional signal, BOOT, is provided. It should be noted that this signal is level-triggered, and should be used for every Warm Boot operation i.e. every time the user wishes to load a new image into the device.

The successful instantiation of this primitive also requires the user to specify the address locations of the 4 images. These addresses should be specified in the iCEcube2 software as per the Warm Boot Application Note.

Verilog Instantiation

```
SB_WARMBOOT my_warmboot_i (
    .BOOT (my_boot),           // Level-sensitive trigger signal
    .S1 (my_sel1),            // S1, S0 specify selection of the
    .S0 (my_sel0)              // configuration image
);
```