

CertusPro-NX Evaluation Board

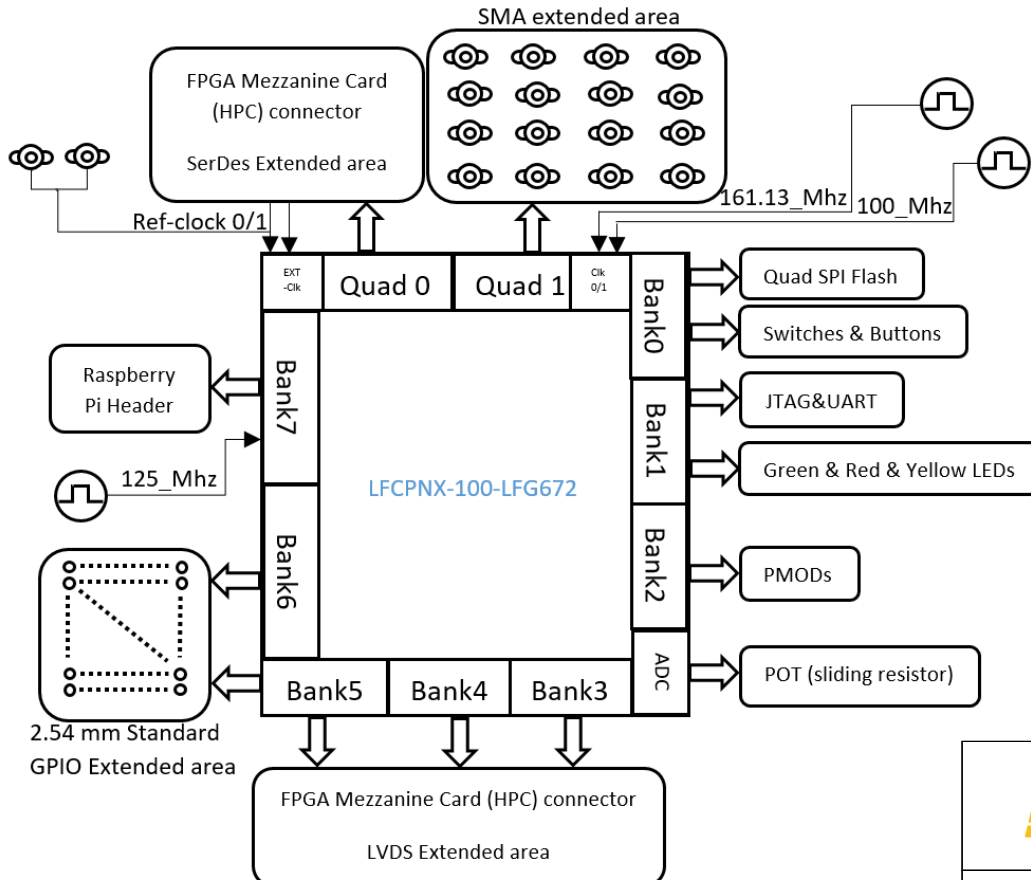
Rev - B

- 01 - Title Page
- 02 - Block Diagram
- 03 - USB Interface
- 04 - Bank-0 Configuration
- 05 - Bank-1 LEDs&JTAG
- 06 - Bank-2 PMODs
- 07 - Bank-3,4,5 FMC
- 08 - HPC
- 09 - Bank-6 Extended Bank
- 10 - Bank-7 Raspberry PI
- 11 - SerDes
- 12 - ADC
- 13 - Bank Power
- 14 - Power Decoupling
- 15 - Power Regulators
- 16 - Ground
- 17 - Power Block Diagram



Lattice Semiconductor Applications
Email: techsupport@latticesemi.com

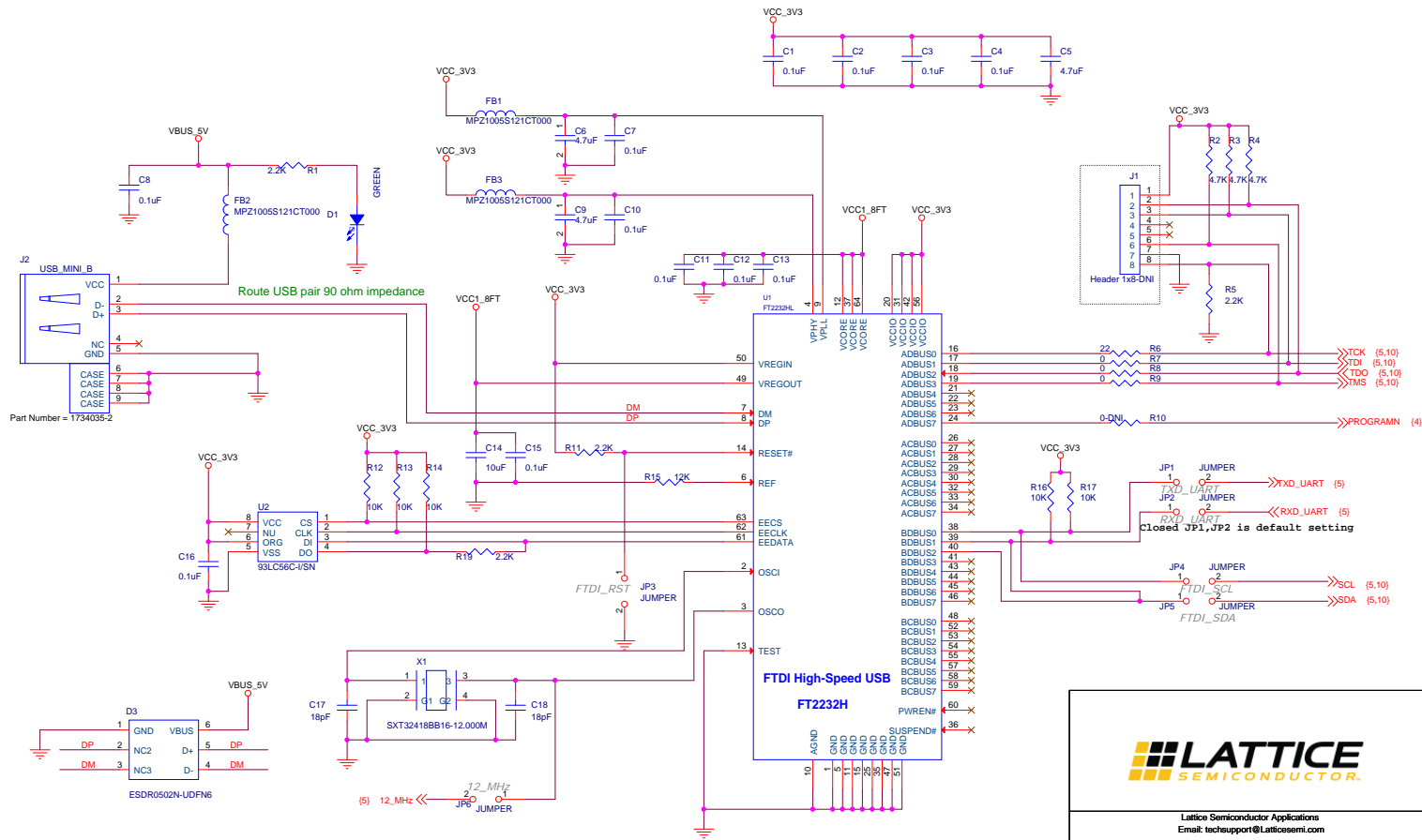
Title		
Title Page		
Size	Project	Schematic Rev
B	CertusPro-NX Evaluation Board	1.0
Date:	Board Rev	B
Wednesday, August 04, 2021	Sheet	1 of 17



LATTICE
SEMICONDUCTOR.

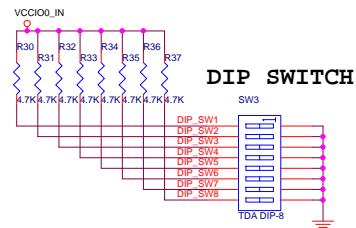
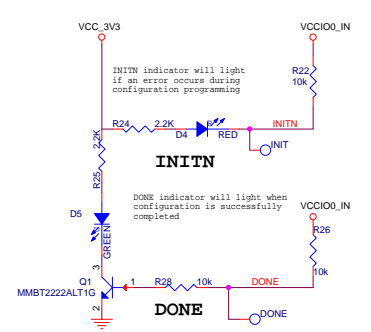
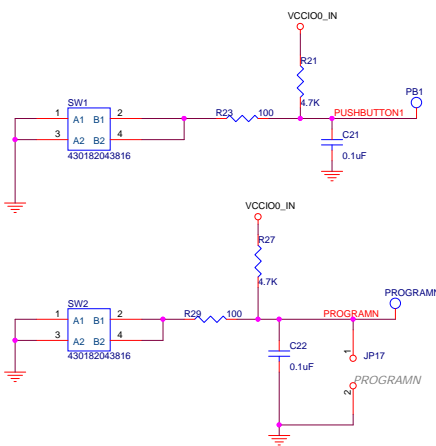
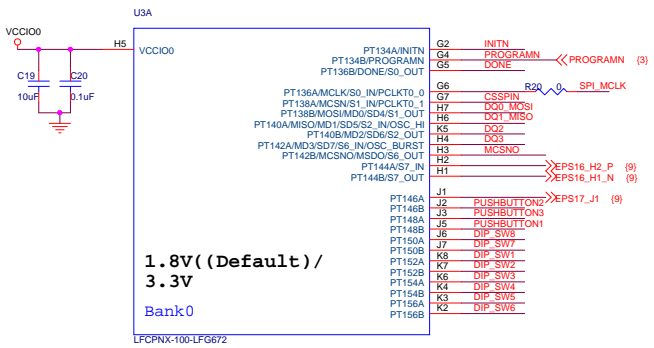
Lattice Semiconductor Applications
Email: techsupport@latticesemi.com

Title Block Diagram		
Size B	Project CertusPro-NX Evaluation Board	Schematic Rev 1.0
Date: Wednesday, August 04, 2021	Board Rev B	Sheet 2 of 17



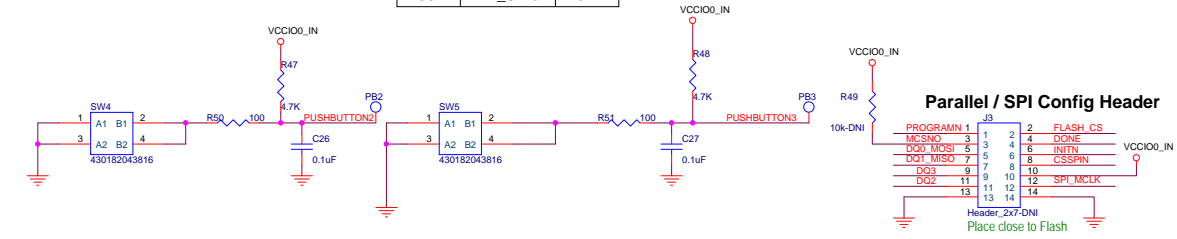
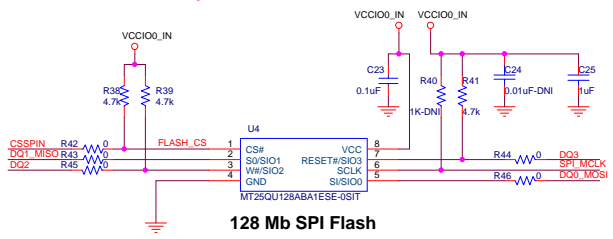
Lattice Semiconductor Applications
Email: techsupport@Latticesemi.com

Title		
USB Interface		
Size	Project	Schematic Rev 1.0
B	CertusPro-NX Evaluation Board	Board Rev B
Date:	Wednesday, August 04, 2021	Sheet 3 of 17



Switch Signal Map

U3 pin	Signal	SWITCH
K8	DIP_SW1	1
K7	DIP_SW2	2
K6	DIP_SW3	3
K4	DIP_SW4	4
K3	DIP_SW5	5
K2	DIP_SW6	6
J7	DIP_SW7	7
J6	DIP_SW8	8

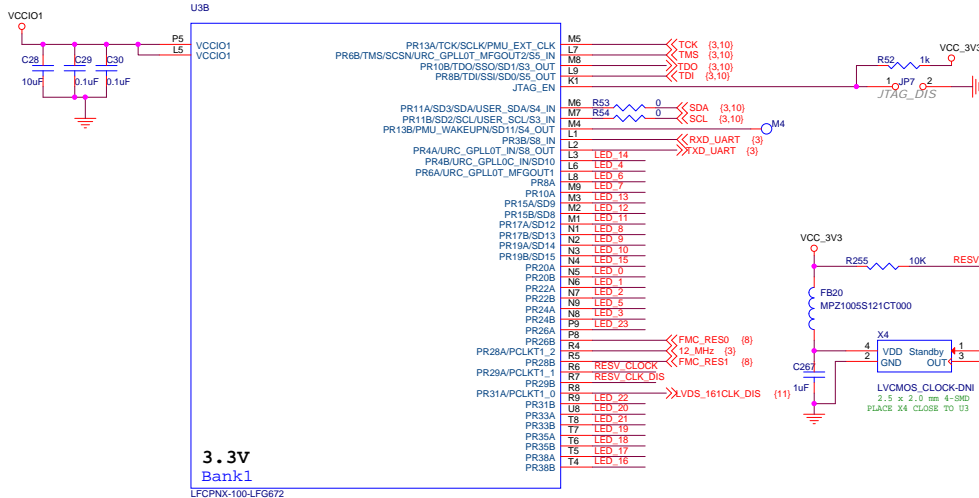


LATTICE SEMICONDUCTOR

Lattice Semiconductor Applications
Email: techsupport@Latticesemi.com

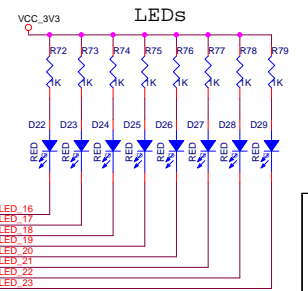
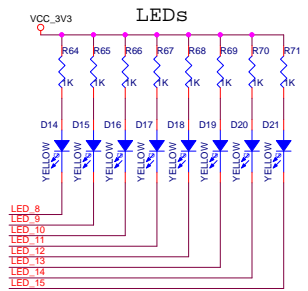
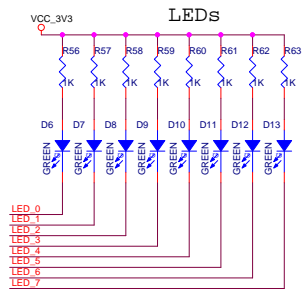
Bank-0 Configuration

Size	Project	Schematic Rev	1.0
B	CertusPro-NX Evaluation Board	Board Rev	B
Date:	Wednesday, August 04, 2021	Sheet	4 of 17



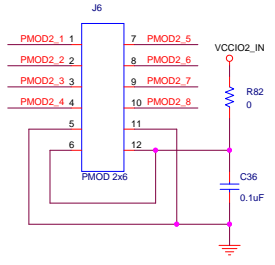
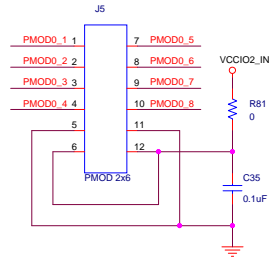
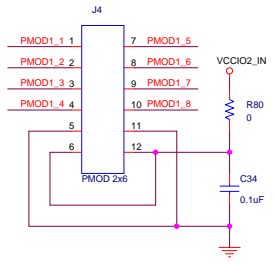
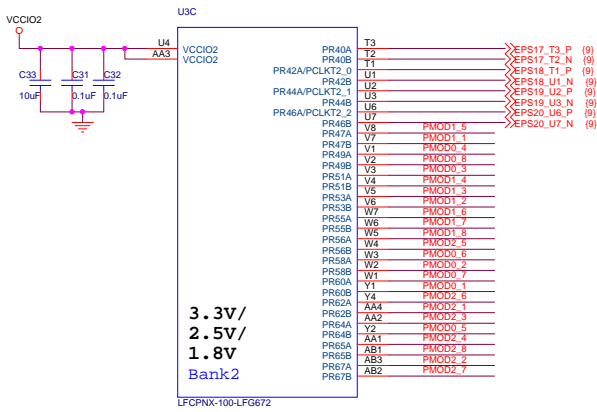
LEDs Signal Map

U3 pin	Signal	LED
N5	LED_0	D6
N6	LED_1	D7
N7	LED_2	D8
N8	LED_3	D9
L6	LED_4	D10
N9	LED_5	D11
L8	LED_6	D12
M9	LED_7	D13
N1	LED_8	D14
N2	LED_9	D15
N3	LED_10	D16
M1	LED_11	D17
M2	LED_12	D18
M3	LED_13	D19
L3	LED_14	D20
N4	LED_15	D21
T4	LED_16	D22
T5	LED_17	D23
T6	LED_18	D24
T7	LED_19	D25
U8	LED_20	D26
T8	LED_21	D27
R9	LED_22	D28
P9	LED_23	D29



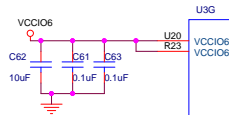
Lattice Semiconductor Applications
Email: techsupport@Latticesemi.com

Title		
Bank-1 LEDs&JTAG		
Size	Project	Schematic Rev 1.0
B	Certus-Pro-NX Evaluation Board	Board Rev B
Date:	Wednesday, August 04, 2021	Sheet 5 of 17



Lattice Semiconductor Applications
Email: techsupport@Latticesemi.com

Title Bank-2 PMODs		
Size B	Project CertusPro-NX Evaluation Board	Schematic Rev 1.0
Date: Wednesday, August 04, 2021	Sheet 6	Board Rev B
Date:		of 17



U3G

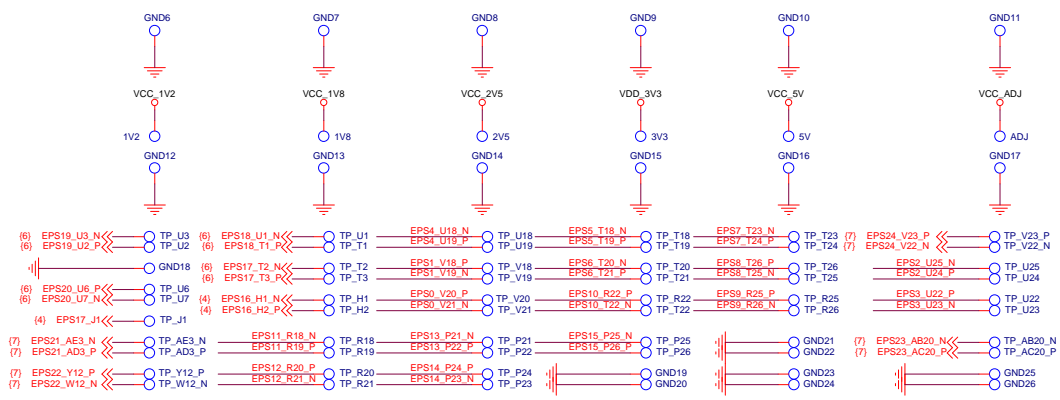
VCCIO6
VCCIO6

3.3V/
2.5V/
1.8V
Bank 6

LFCPNX-100-LFG672

V20	EPS0	V20_P
V21	EPS0	V21_N
V18	EPS1	V18_P
V19	EPS1	V19_N
U24	EPS2	U24_P
U25	EPS2	U25_N
U22	EPS3	U22_P
U23	EPS3	U23_N
U19	EPS4	U19_P
U18	EPS4	U18_N
T19	EPS5	T19_P
T18	EPS5	T18_N
T21	EPS6	T21_P
T20	EPS6	T20_N
T24	EPS7	T24_P
T23	EPS7	T23_N
T26	EPS8	T26_P
T25	EPS8	T25_N
R25	EPS9	R25_P
R26	EPS9	R26_N
R27	EPS10	R27_P
T22	EPS10	T22_N
R19	EPS11	R19_P
R18	EPS11	R18_N
R21	EPS12	R21_P
R20	EPS12	R20_N
P21	EPS13	P21_N
P24	EPS14	P24_P
P23	EPS14	P23_N
P26	EPS15	P26_P
P25	EPS15	P25_N

Through Hole Extended Area

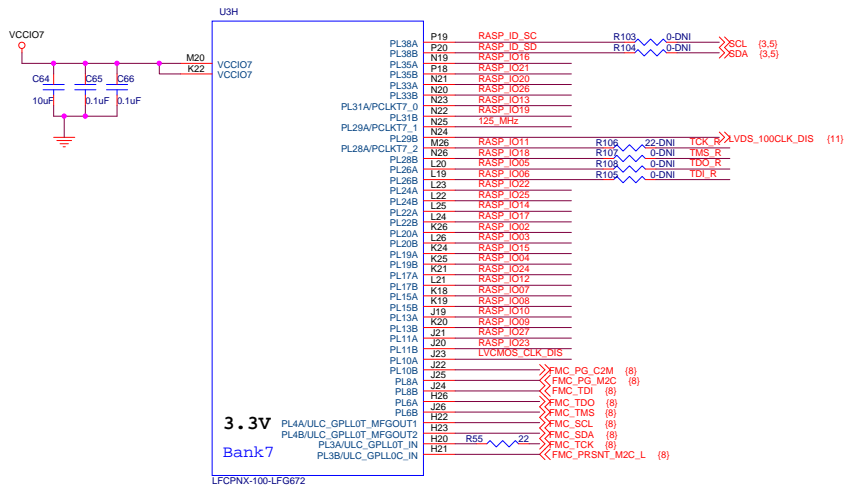


LVCMOS&LVDS Through Hole Extended Area

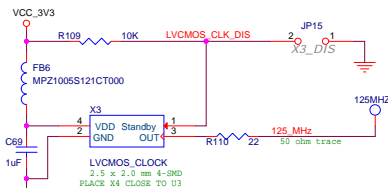
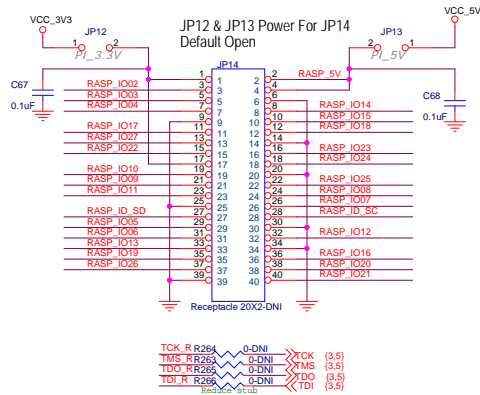


Lattice Semiconductor Applications
Email: techsupport@latticesemi.com

Title		Bank-6 Extended Bank	
Size	Project	Schematic Rev 1.0	
B	CertusPro-NX Evaluation Board	Board Rev B	
Date:	Wednesday, August 04, 2021	Sheet	9 of 17

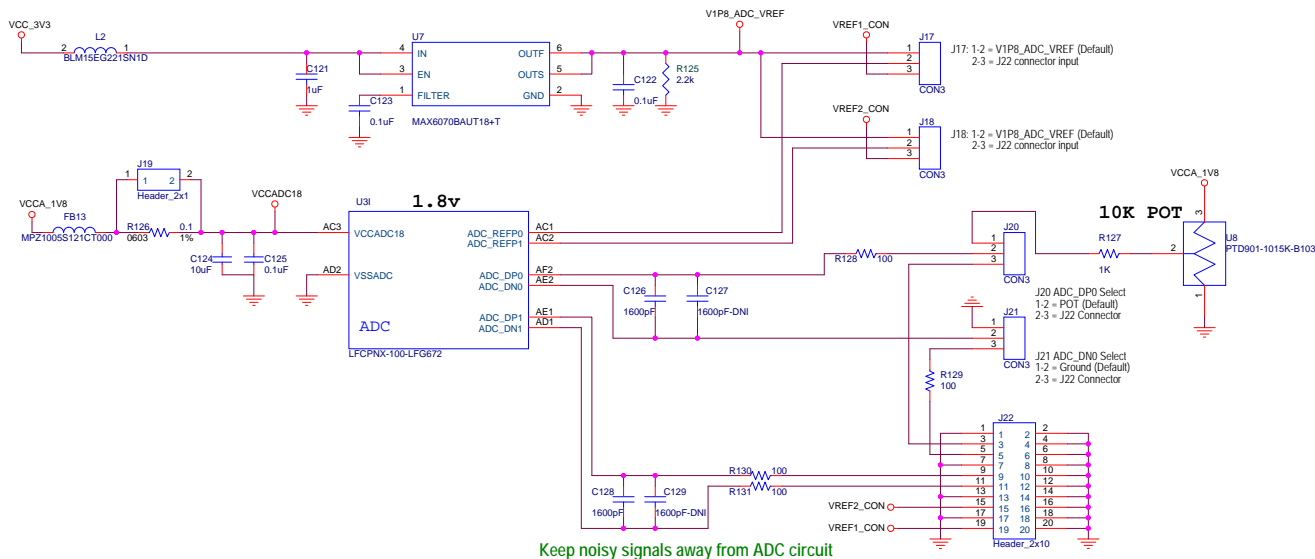


Raspberry PI and User I/O Connector



Lattice Semiconductor Applications
Email: techsupport@latticesemi.com

Title		Bank-7 Raspberry PI	
Size	Project	Schematic Rev 1.0	
B	CertusPro-NX Evaluation Board	Board Rev B	
Date:	Wednesday, August 04, 2021	Sheet	10 of 17



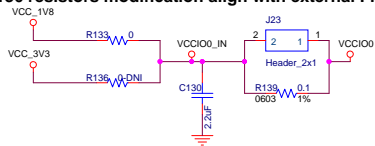
Lattice Semiconductor Applications
Email: techsupport@Latticesemi.com

Title		
ADC		
Size	Project	Schematic Rev 1.0
B	CertusPro-NX Evaluation Board	Board Rev B
Date:	Wednesday, August 04, 2021	Sheet 12 of 17

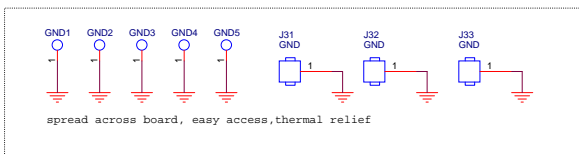
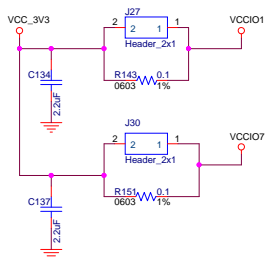
R133 installed VCCIO0 =1.8V (Default)

R136 installed VCCIO0 =3.3V

Note:
R133 or R136 resistors modification align with external Flash power level



VCCIO1 & VCCIO7 =3.3V ONLY

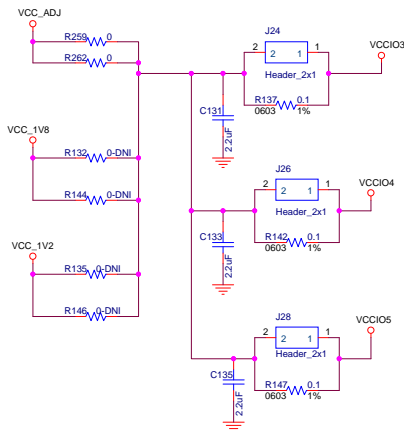


R259&R262 installed VCCIO3&4&5 =FMC adjustable power (Default)

R132&R144 installed VCCIO3&4&5 =1.8V

R135&R146 installed VCCIO3&4&5 =1.2V

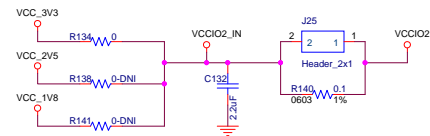
Note:
VCCIO3&4&5 bank power level do NOT exceed 1.8V



R134 installed VCCIO2 =3.3V (Default)

R138 installed VCCIO2 =2.5V

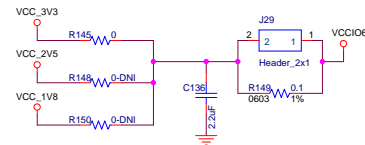
R141 installed VCCIO2 =1.8V



R145 installed VCCIO6 =3.3V (Default)

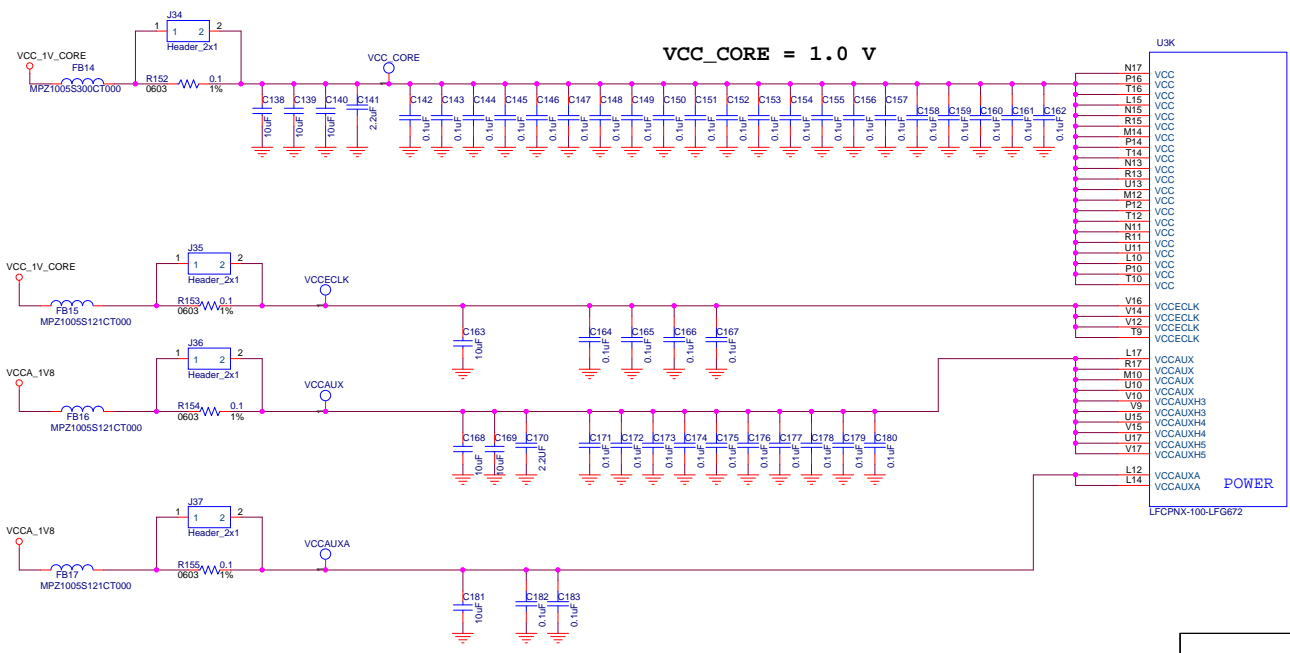
R148 installed VCCIO6 =2.5V

R150 installed VCCIO6 =1.8V



Lattice Semiconductor Applications
Email: techsupport@Latticesemi.com

Title		
Bank Power		
Size	Project	Schematic Rev 1.0
B	CertusPro-NX Evaluation Board	Board Rev B
Date:	Wednesday, August 04, 2021	Sheet 13 of 17

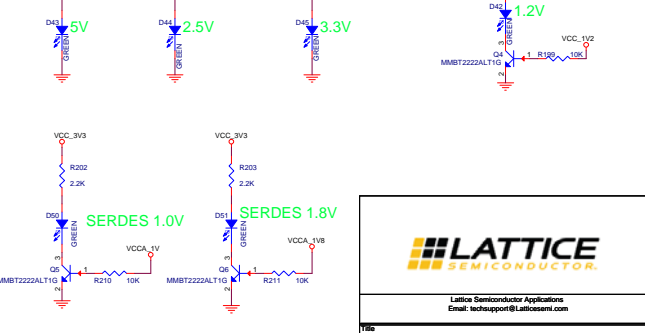
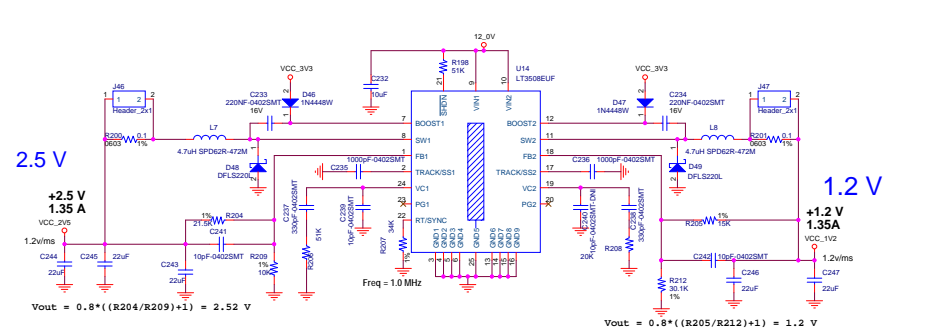
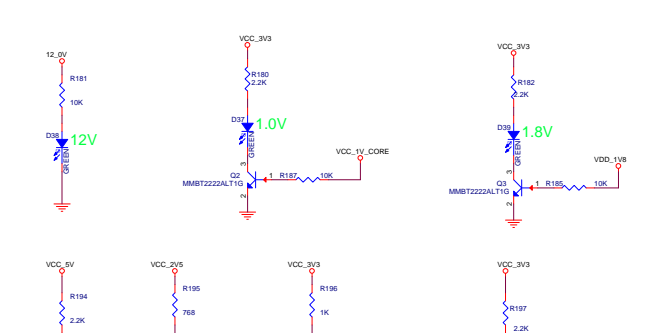
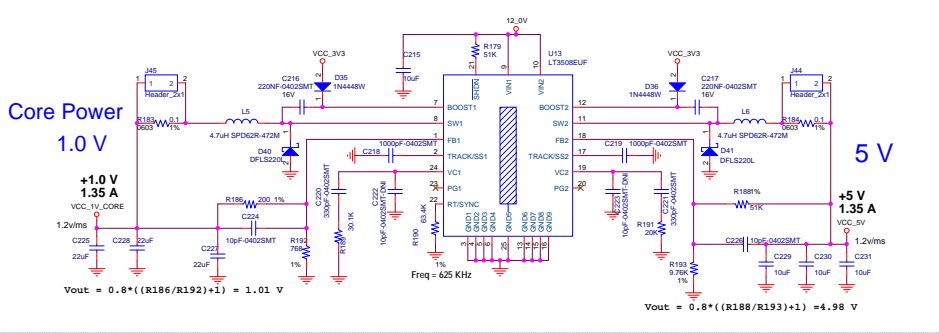
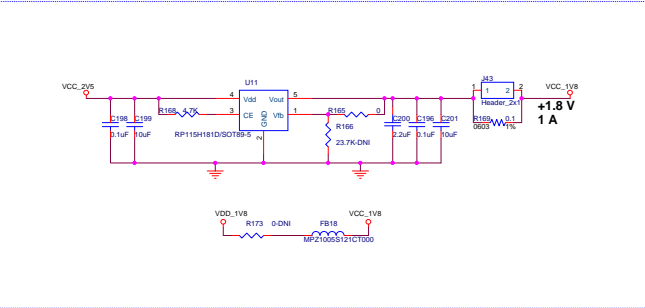
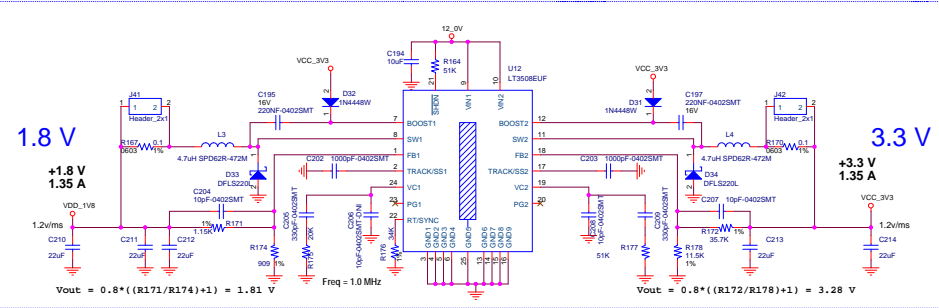
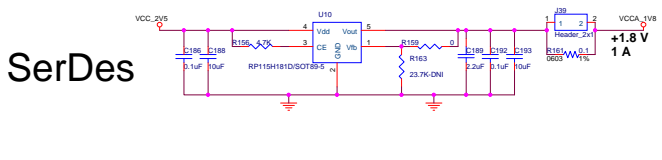
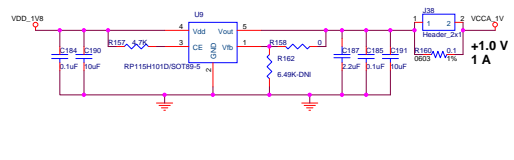
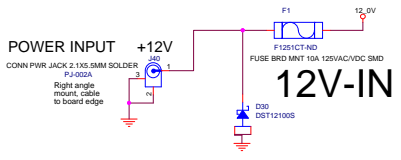


- USK
- N17 VCC
 - P16 VCC
 - L15 VCC
 - N15 VCC
 - R15 VCC
 - M14 VCC
 - P14 VCC
 - T14 VCC
 - N13 VCC
 - R13 VCC
 - U13 VCC
 - M12 VCC
 - P12 VCC
 - T12 VCC
 - N11 VCC
 - R11 VCC
 - U11 VCC
 - L10 VCC
 - P10 VCC
 - T10 VCC
 - V16 VCC_ECLK
 - V14 VCC_ECLK
 - V12 VCC_ECLK
 - T9 VCC_ECLK
 - L17 VCCALX
 - R17 VCCALX
 - M10 VCCALX
 - U10 VCCALX
 - V10 VCCALXH3
 - V9 VCCALXH3
 - U15 VCCALXH4
 - V15 VCCALXH4
 - U17 VCCALXH4
 - VCCALXH5
 - V17 VCCALXH5
 - L12 VCCALXA
 - L14 VCCALXA
- POWER**
- LFCPNX-100-LFG672



Lattice Semiconductor Applications
 Email: techsupport@Latticesemi.com

Title Power Decoupling		
Size B	Project CertusPro-NX Evaluation Board	Schematic Rev 1.0
Date: Wednesday, August 04, 2021	Sheet 14	of 17



LATTICE SEMICONDUCTOR

Lattice Semiconductor Applications
Email: techsupport@Latticesemi.com

File: Power Regulators

Size	Project	Schematic Rev
C	CeriusPro-NX Evaluation Board	1.0
Doc	Version: August 04, 2021	Board Rev
		1

Sheet 15 of 17

