

CAST

LATTICE
SEMICONDUCTOR.

JPEG-EX-S

Baseline and Extended JPEG Encoder

Features

Performs Baseline and Extended Sequential DCT JPEG encoding of images or video, with small silicon area, high performance, and low latency.

Standards Support

- ISO/IEC 10918-1 Standard Baseline and Extended Encoder (Sequential DCT modes)
- Single-frame JPEG images and Motion JPEG payloads
- 8-bit and 12-bit per color samples
- Up to four color components; any image size up to 64k x 64k
- All scan configurations and all JPEG formats
- APP, COM, and restart markers
- Programmable Huffman Tables and Quantization tables

Rate Control Options

- Image: Limits the size of each individual frame
- Video: Regulates bit rate over a number of input frames.

Interfaces

- AXI Streaming data interfaces
- APB Control/Status interface

Performance and Size

- One encoded sample per clock cycle
- Small silicon resources requirement (about 13k LUT4s)

Ease of Integration

- Automatic program-once/encode-many operation
- Simple, dedicated timestamps interface
- Included bit-accurate software model generates test vectors, expected results, and core programming values
- Optional Raster-to-Block Conversion with AXI or standard memory interface to the lines buffer

This JPEG compression IP core supports the Baseline Sequential DCT and Extended Sequential DCT modes of the ISO/IEC 10918-1 standard. It implements an area-efficient, high-performance, ASIC or FPGA hardware JPEG encoder with very low processing latency.

The JPEG-EX-S Encoder produces compressed JPEG images and the video payload for Motion-JPEG container formats. It accepts images with 8- or 12-bit color samples and up to four color components, in all widely-used color subsampling formats.

The encoder processes one color sample per clock cycle, enabling it to compress multiple Full-HD channels even in low-cost FPGAs. One of the smallest JPEG encoders available, it synthesizes to about 13,000 LUT4s.

Once programmed, the easy-to-use encoder requires no assistance from a host processor to compress an arbitrary number of frames. SoC integration is straightforward thanks to standardized AMBA® interfaces: AXI Streaming for pixel and compressed data, and a 32-bit APB slave interface for registers access. Users can optionally insert timestamps or other metadata in the compressed stream using a dedicated AXI Streaming interface.

Customers with a short time to market priority can use CAST's IP Integration Services to receive complete JPEG subsystems. These integrate the JPEG encoder with video interface controllers, Hardware RTO and UDP/IP networking stacks, or other IP cores available from CAST.

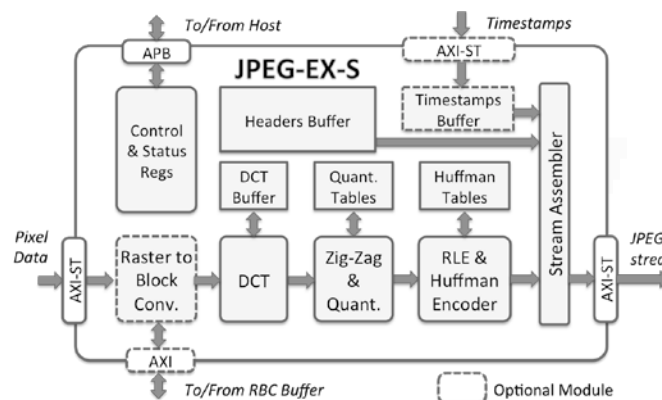
The core is designed with industry best practices, and its reliability and low risk have been proven through both rigorous verification and customer production. Its deliverables include a complete verification environment and a bit-accurate software model.

Applications

The JPEG-EX-S core's low processing latency and ability to regulate compressed image size or video bit rate make it ideal for video streaming systems even in the presence of strict bandwidth and latency limitations. Suitable applications include:

- Consumer electronics or professional imaging products such as digital cameras, camcorders, and office automation equipment (printers, scanners, etc.).
- Residential, corporate, airborne, and other security or surveillance systems.
- Machine vision and video links for industrial, defense, or other systems.
- Medical imaging systems, and advanced driver assistance systems.

Block Diagram



Silicon Resources Utilization

The JPEG-EX-S core can be mapped to any Lattice Device (provided sufficient silicon resources are available) and optimized to suit the particular project's requirements. The following table provides sample implementation and performance data for the default configuration of the core.

Family / Device	Logic	Block RAMs	DSP Comp.	Fmax (MHz)
ECP5U / LAE5U-12F	8,380 Slices 12,945 LUT4s	11	8	95

Note that the implementation figures do not represent the highest speed or smallest area possible for the core. Please contact CAST to discuss silicon resource utilization and performance for your target technology.

Verification

The core has been verified through extensive synthesis, place and route and simulation runs. It has also been embedded in several products, and is proven in both ASIC and FPGA technologies.

JPEG Cores available from CAST

The JPEG-EX-S is one member of the JPEG family of JPEG encoder and decoder cores that CAST offers. The following table summarizes the family members and highlights their basic features.

	JPEG-E-S Baseline JPEG Encoder	JPEG-EX-S Extended JPEG Encoder	JPEG-EX-F Ultra Fast Ext. JPEG Encoder	JPEG-D-S Baseline JPEG Decoder	JPEG-DX-S Extended JPEG Decoder	JPEG-DX-F Ultra Fast Ext. JPEG Encoder
Functionality	Encoder			Decoder		
Baseline JPEG	✓	✓	✓	✓	✓	✓
Extended Sequential JPEG	✗	✓	✓	✗	✓	✓
Motion JPEG Payload	✓	✓	✓	✓	✓	✓
Sub-sampling Formats	Any with up to four components including Single-color, 4:4:4, 4:2:2, 4:2:0					
Image Resolution	16x16 to 64k x 64k					
Max. Sample Depth	8	12	12	8	12	12
Rate Control	✓	✓	✓	N/A	N/A	N/A
Raster Conversion	Included – Optionally Instantiated					
Color Samples/Cycle	1	1	1 to 32	1	1	1 to 32
Number of LUT4s in LATTICE FPGAs	11k	13k	22k ¹	10k	12k	18k ¹
Available in RTL Source Code	✗	✓	✓	✗	✓	✓
Available as targeted netlist	✓	✓	✓	✓	✓	✓

1) Silicon Resources for two samples/cycle configuration, and 12 bits per color sample

Support

The core as delivered is warranted against defects for ninety days from purchase. Thirty days of phone and email technical support are included, starting with the first interaction. Additional maintenance and support options are available.

Deliverables

The core is available in targeted netlist format, and includes everything required for successful implementation. The deliverable includes:

- Targeted FPGA netlist
- Sophisticated self-checking Testbench
- Software (C++) Bit-Accurate Model
- Sample simulation and synthesis scripts
- Comprehensive user documentation