

MN34041 SENSOR BOARD

PAGE 1 : INDEX PAGE


PAGE 2 : MN34041PL - Serial Interface

PAGE 3 : MN34041PL POWER

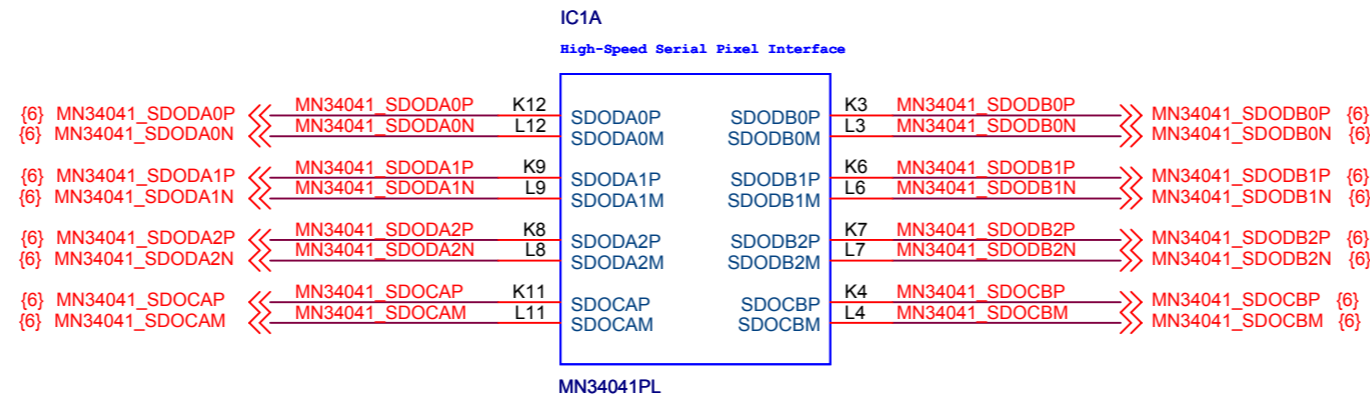
PAGE 4 : POWER REGULATORS

PAGE 5 : IMAGE SENSOR

PAGE 6 : INTERFACE CONNECTORS

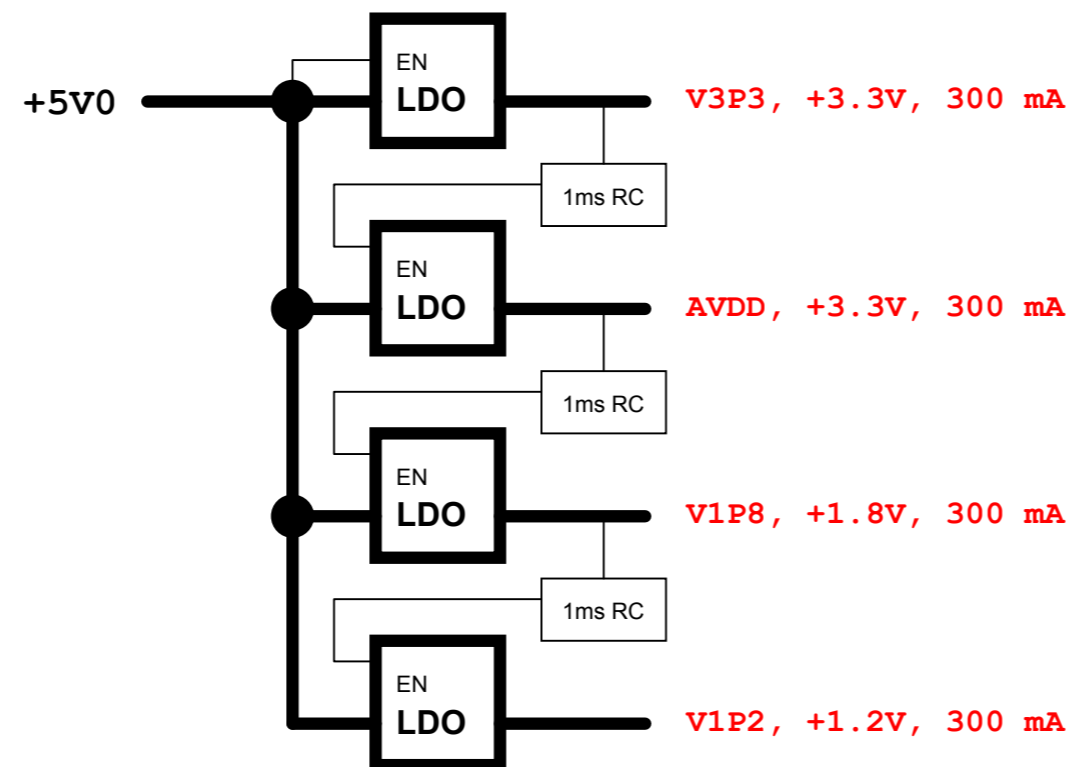
 Lattice Semiconductor Corporation 5555 N.E. Moore Court Hillsboro, Oregon. 97124		
Title MN34041 SENSOR BOARD		
Size B	Project MN34041 SENSOR BOARD	Rev A
Date:	Thursday, February 10, 2011	Sheet 1 of 6

High Speed Serial Interface



High speed signals use matched length 50 ohm traces

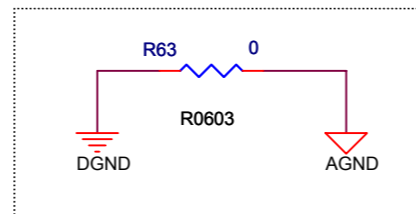
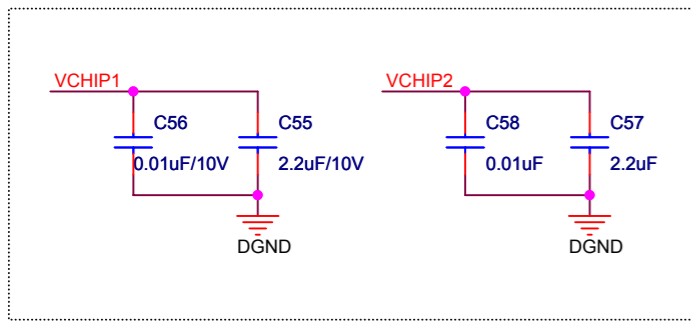
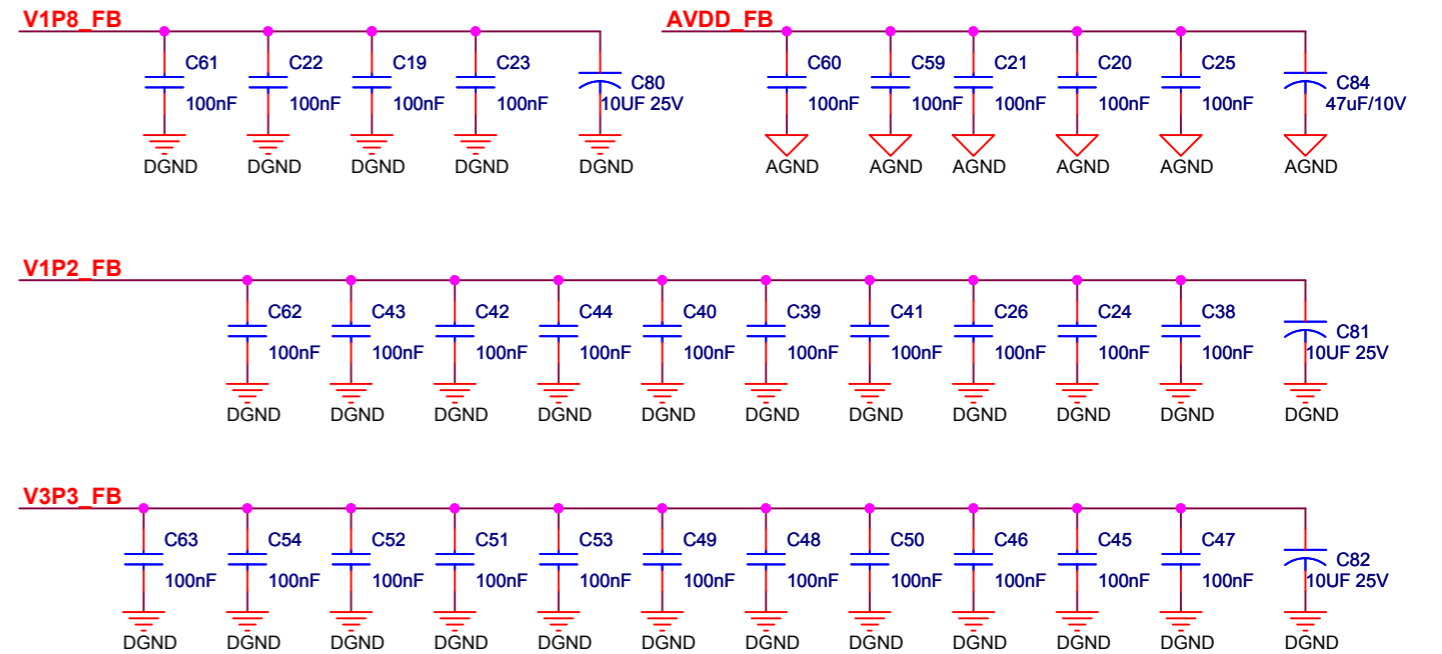
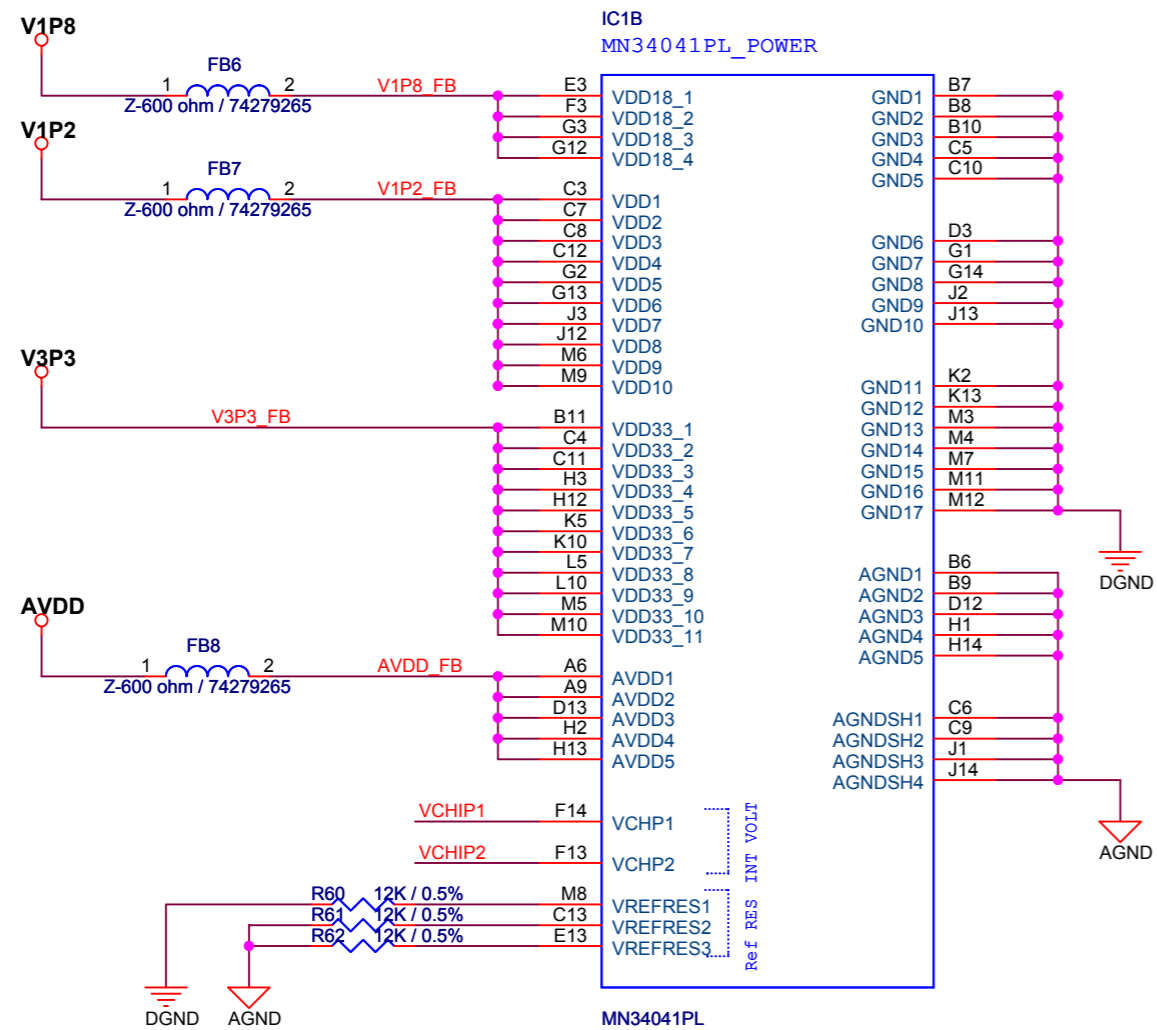
Power Supply Block Diagram



Lattice Semiconductor Corporation
5555 N.E. Moore Court
Hillsboro, Oregon. 97124

Title MN34041 SENSOR BOARD		
Size B	Project MN34041 SENSOR BOARD	Rev A
Date: Thursday, February 10, 2011	Sheet 2	of 6

MN34041PL POWER & DECOUPLING



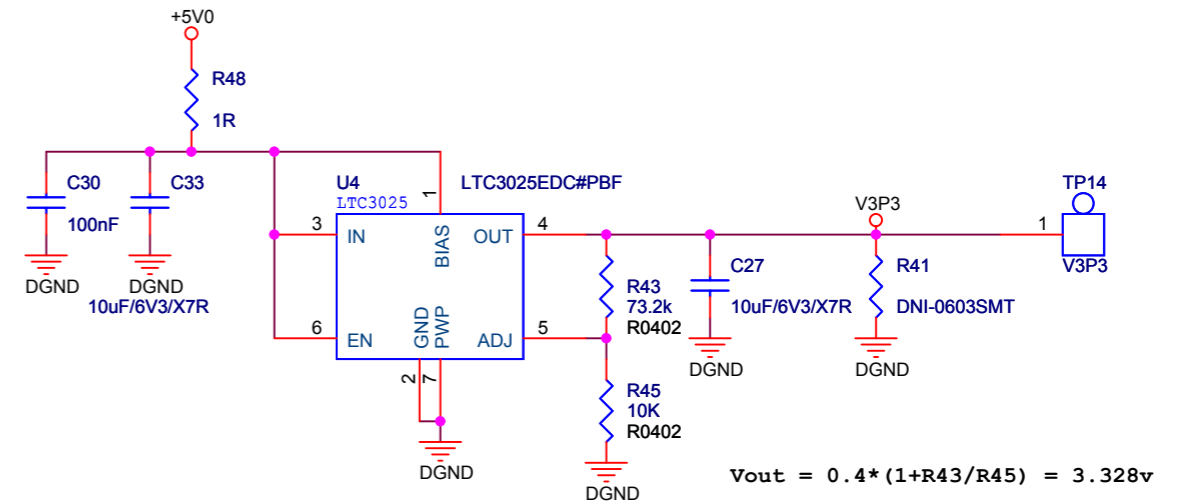
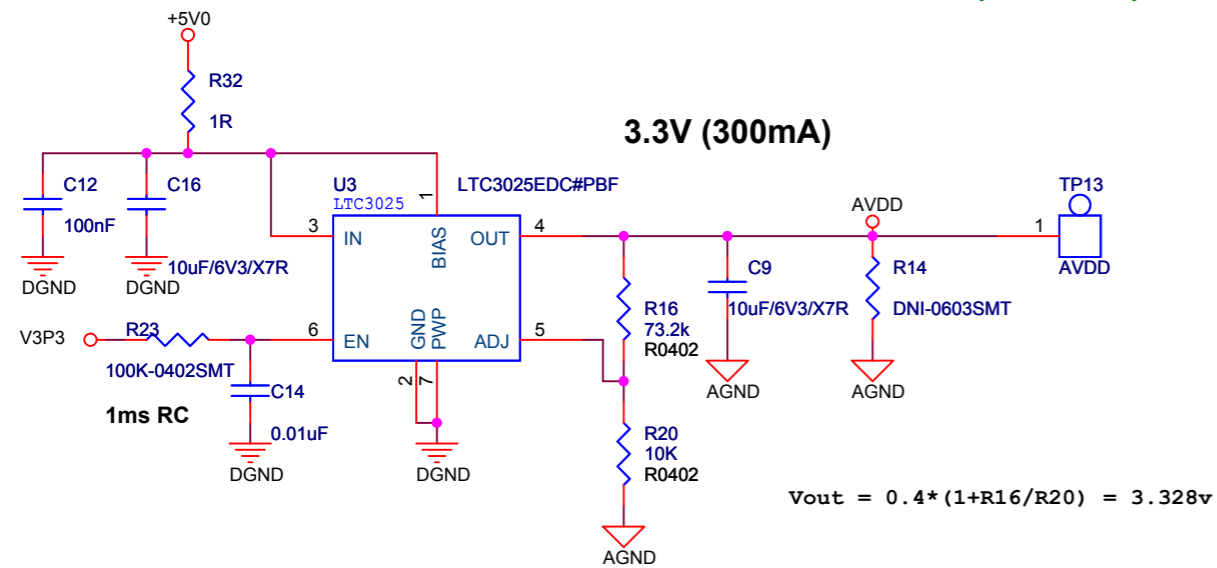
Lattice Semiconductor Corporation
 5555 N.E. Moore Court
 Hillsboro, Oregon. 97124

Title MN34041 SENSOR BOARD		
Size B	Project MN34041 SENSOR BOARD	Rev A
Date: Thursday, February 10, 2011	Sheet 3	of 6

Power Regulators

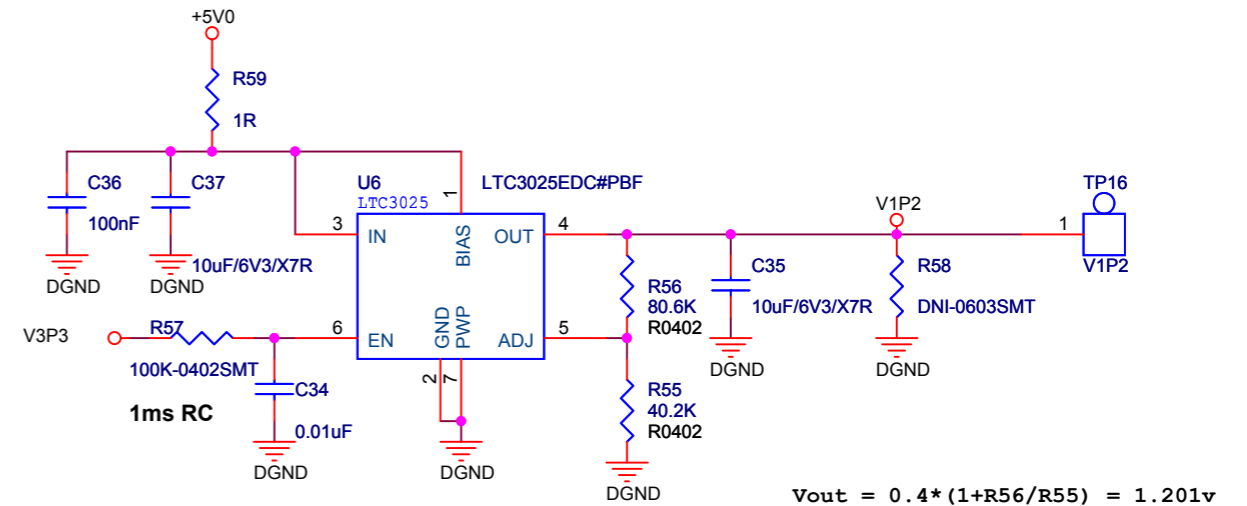
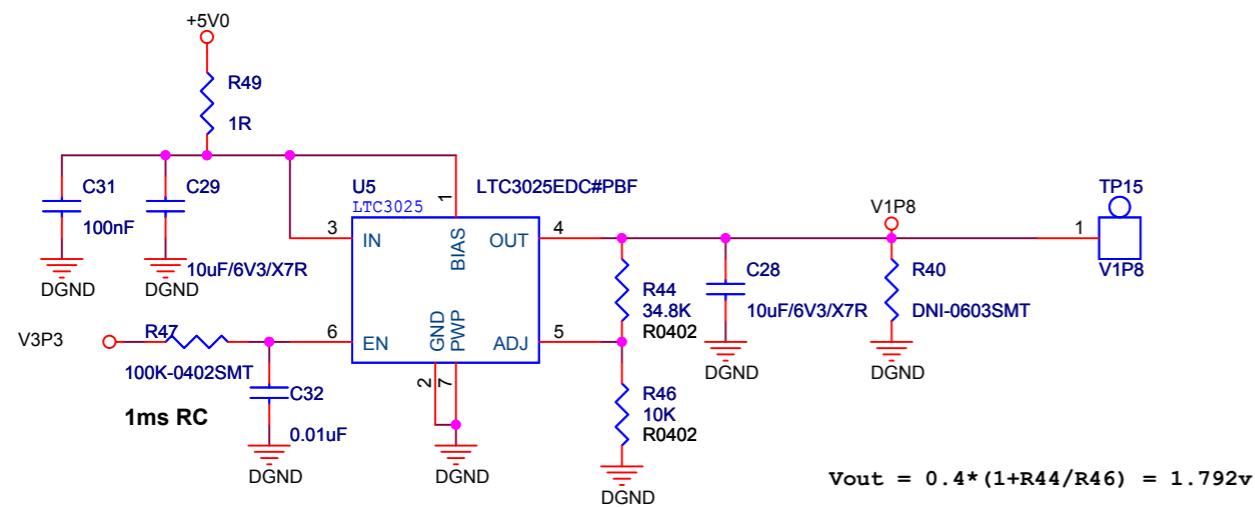
AVDD (3.3V)

V3P3 @ 300mA



V1P8 @ 300mA

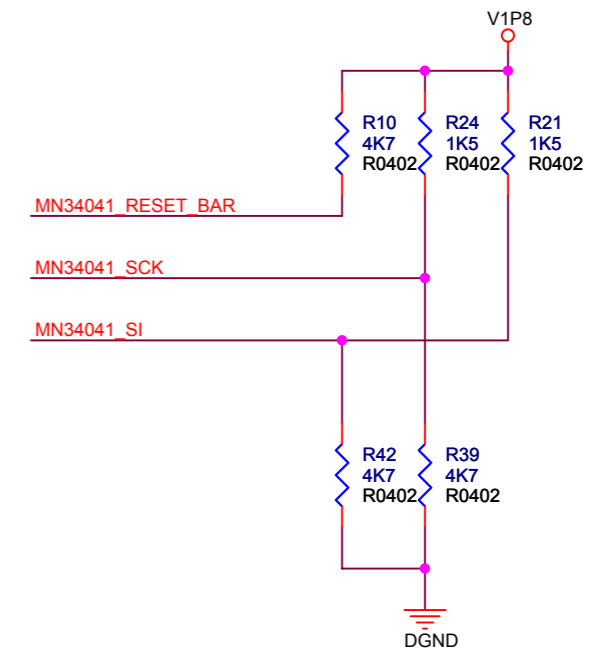
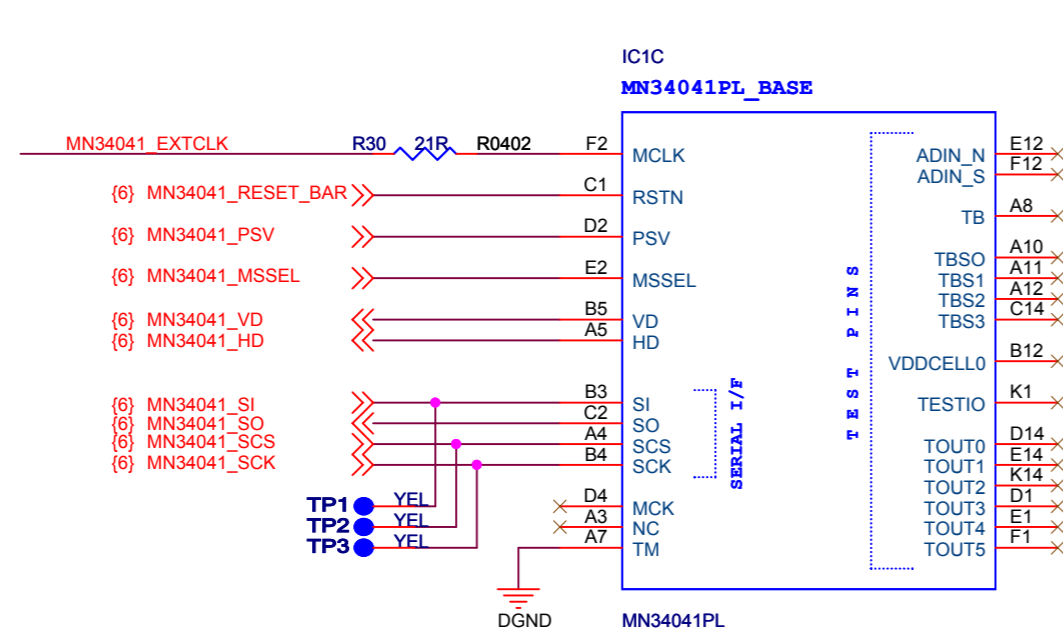
V1P2 @ 300mA



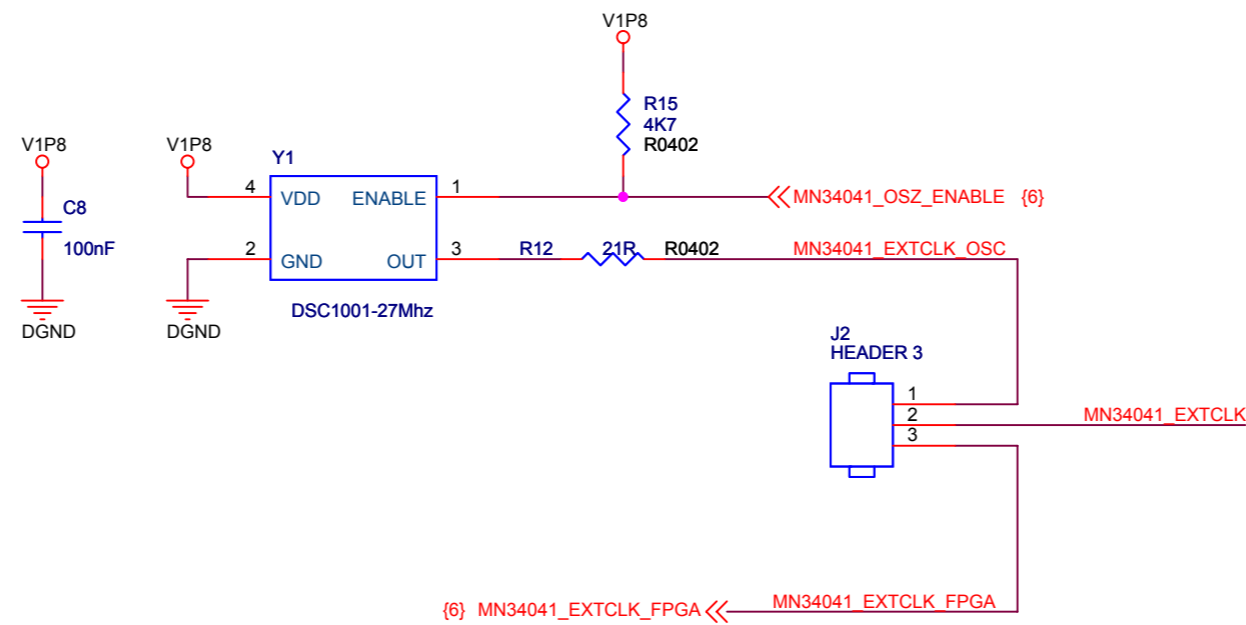
NOTE:

Panasonic control I/Os are 1.8v. When mating this board to the XP2 interface board, V2P5 on the XP2 board must have jumper J6 short pins 1 & 2. When mating this board to the HDR-60 (ECP3) board, V2P5 on the HDR-60 jumper J4 short pins 1 & 2

Image Sensor



MT9M02_EXTCLK



Lattice Semiconductor Corporation
 5555 N.E. Moore Court
 Hillsboro, Oregon. 97124

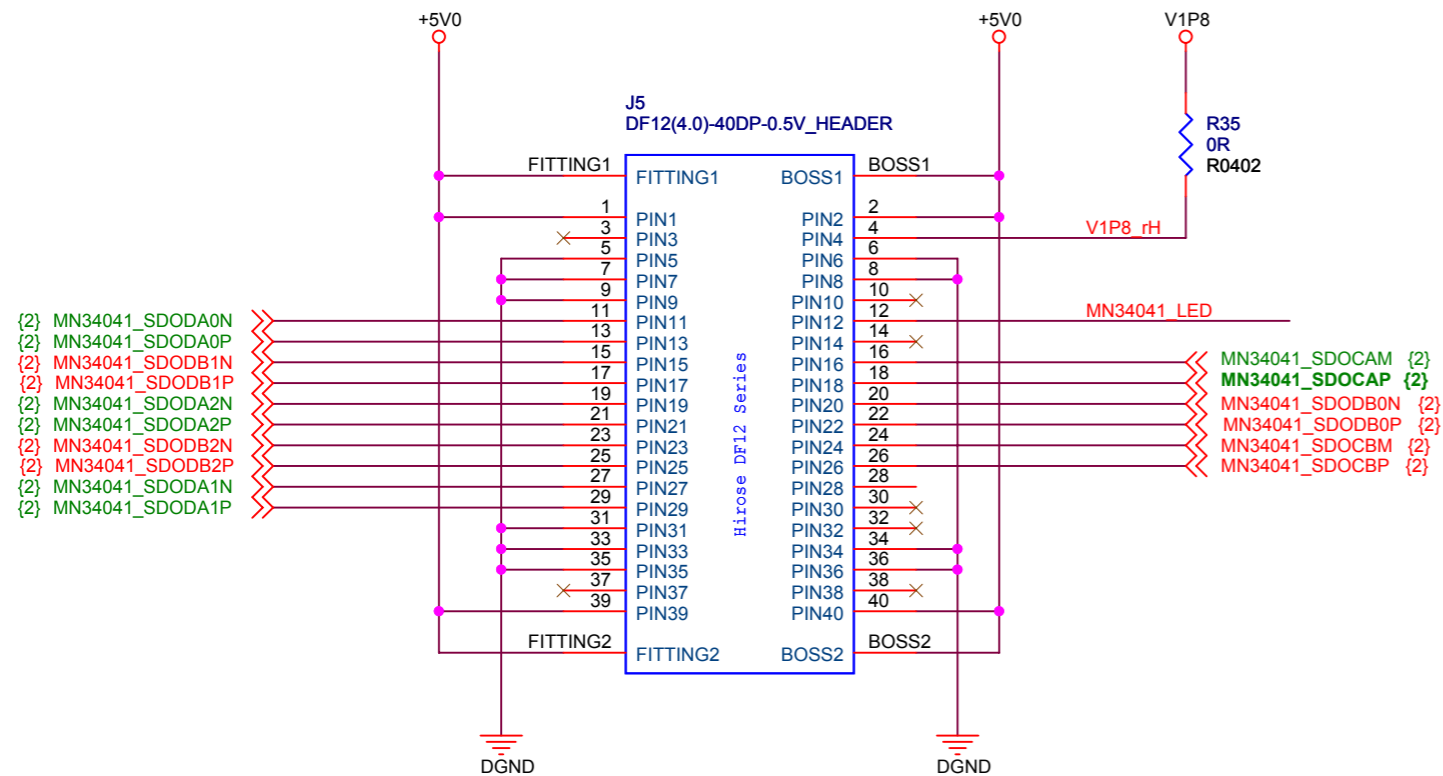
Title MN34041 SENSOR BOARD		
Size B	Project MN34041 SENSOR BOARD	Rev A
Date: Thursday, February 10, 2011	Sheet 5	of 6

INTERFACE - CONNECTOR, Right side

HISPI Sensor interface connector

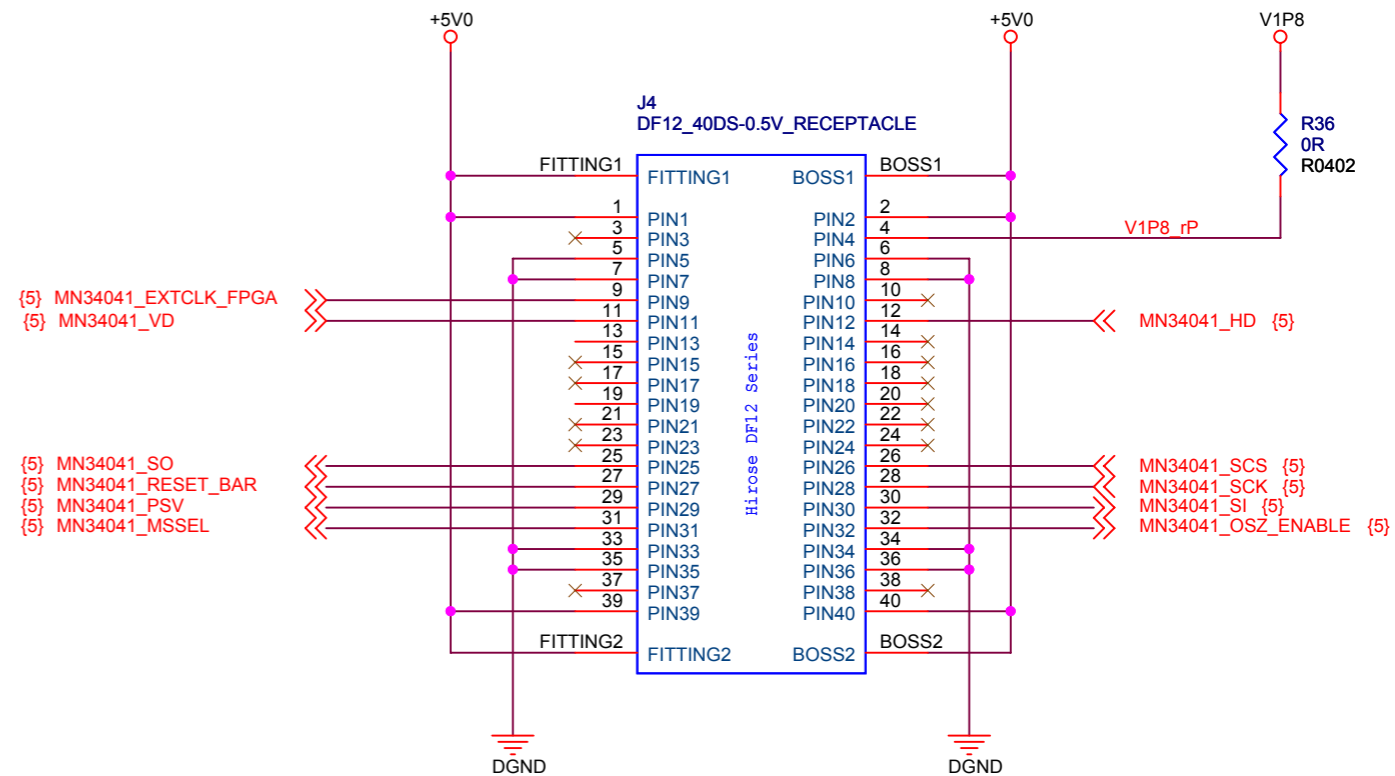
MIXED I/O Voltage

HISPI : 0.4v // Other 2.8v or 1.8v



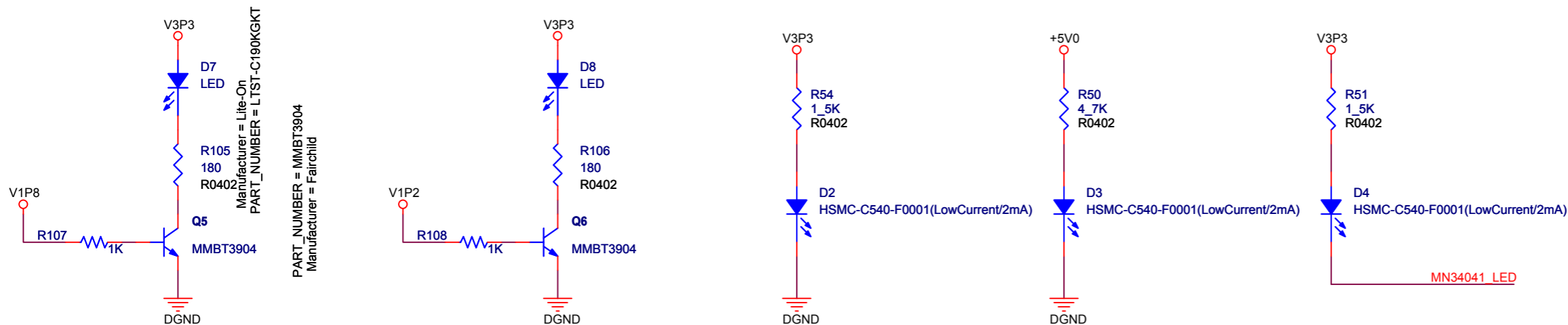
INTERFACE - CONNECTOR, Left side

PARALLEL Sensor interface connector



Fitting & Boss have no electrical function, can be used as vias

POWER STATUS LEDs



Lattice Semiconductor Corporation
 5555 N.E. Moore Court
 Hillsboro, Oregon. 97124

Title MN34041 SENSOR BOARD		
Size B	Project MN34041 SENSOR BOARD	Rev A
Date: Thursday, February 10, 2011	Sheet 6	of 6