

Features

■ High Speed Logic Implementation

- SuperWIDE 68-input logic block
- Up to 35 product terms per output
- Single-level Global Routing Pool (GRP)

■ sysIO™ Capability

- LVCMOS 1.8, 2.5 and 3.3
- LVTTTL
- SSTL 2 (I and II)
- SSTL 3 (I and II)
- CTT 3.3, CTT 2.5
- HSTL (I and III)
- PCI 3.3
- GTL+
- AGP-1X
- LVDS (clock input)
- LVPECL (clock input)
- Programmable drive strength

■ Ease of Design

- Product term sharing
- Extensive clocking and OE capability

■ Broad Device Offering

- 128 to 512 macrocells
- 92 to 256 I/Os
- 128 to 484 pins/balls in TQFP, PQFP and fpBGA packages
- Commercial and industrial temperature ranges

■ Easy System Integration

- 2.5V power supply
- Hot socketing
- Input pull-up, pull-down or Bus-keeper (Pin-by-pin selectable)
- Open drain capability
- Macrocell-based power management
- IEEE 1149.1 Boundary Scan testable
- IEEE 1532 compliant In-System Programmable (ISPTM)

ispMACH 5000B Introduction

The ispMACH 5000B represents the next generation of Lattice's SuperWIDE CPLD architecture. Through their wide 68-input blocks, these devices give significantly improved speed performance for typical designs over architectures with a lower number of inputs.

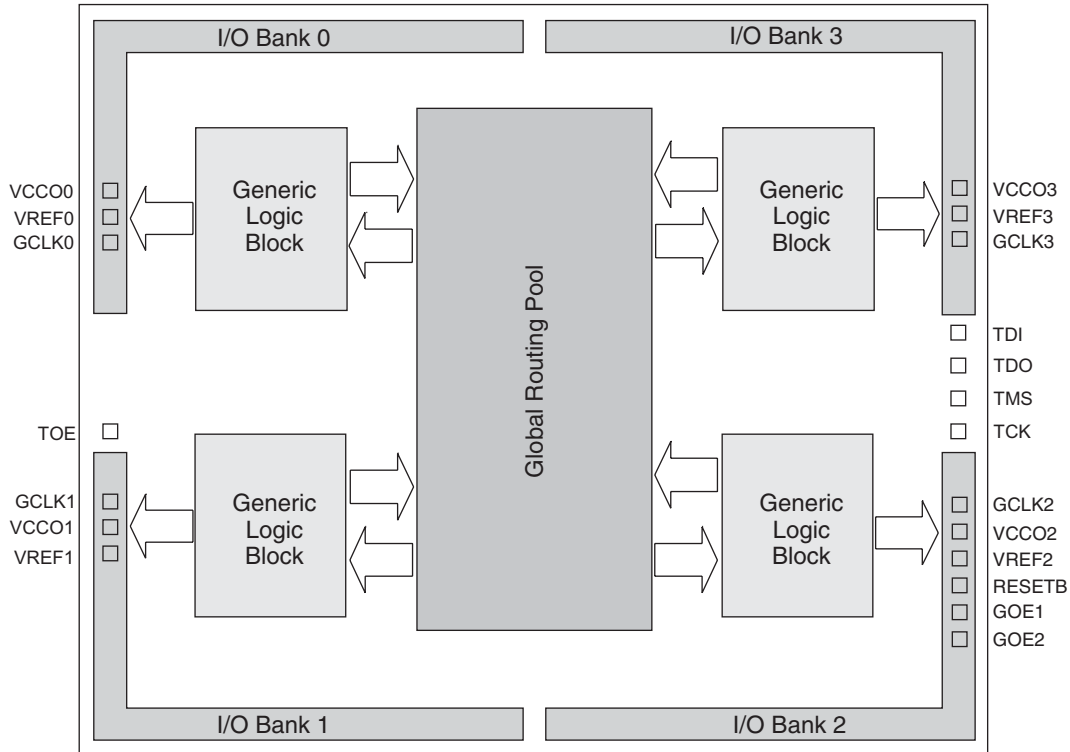
In addition to the unique benefits of the SuperWIDE architecture, the ispMACH 5000B provides sysIO capability to provide support for a variety of advanced I/O standards.

The ispMACH 5000B devices consist of multiple SuperWIDE 68-input, 32-macrocell Generic Logic Blocks (GLBs) interconnected by a single-level routing system referred to as the Global Routing Pool (GRP). Figure 1 shows the ispMACH 5000B block diagram. Together, the GLBs and the GRP allow designers to create large designs in a single device without compromising performance.

Table 1. ispMACH 5000B Family Selection Guide

	ispMACH 5128B	ispMACH 5256B	ispMACH 5384B	ispMACH 5512B
Macrocells	128	256	384	512
User I/O Options	92	92/144	156/186	156/196/256
t _{PD} (ns)	3.0	4.0	4.0	4.5
t _S – Set-up with 0 Hold (ns)	1.7	2.1	2.1	2.5
t _{CO} (ns)	2.2	2.7	2.7	2.8
f _{MAX} (MHz)	275	250	250	200
Supply Voltage (V)	2.5	2.5	2.5	2.5
Package	128-pin TQFP	128-pin TQFP 208-pin PQFP 256-ball fpBGA	208-pin PQFP 256-ball fpBGA	208-pin PQFP 256-ball fpBGA 484-ball fpBGA

Figure 1. Functional Block Diagram



The GLB has 68 inputs coming from the GRP and contains 163 product terms. These product terms form groups of five product term clusters, which feed the product term sharing array and the macrocell directly. The ispMACH 5000B allows up to 35 product terms to be connected to a single macrocell via the Product Term Sharing Array. The macrocell is designed to provide flexible clocking and control functionality with the capability to select between global, product term, and block-level resources. The outputs of the macrocells are fed back into the switch matrices and, if required, the sysIO cell.

All I/Os in the ispMACH 5000B family are sysIO capable, which are split into four banks. Each bank has a separate I/O power supply and reference voltage. The sysIO cells allow operation with a wide range of today's emerging interface standards. Within a bank, inputs can be set to a variety of standards providing the reference voltage requirements of the chosen standards are compatible. Within each bank, the outputs can be set to differing standards providing the I/O power supply requirements of the chosen standard are compatible. Support for this wide range of standards allows designers to achieve significantly higher board-level performance compared to the more traditional LVCMOS standards. Table 1 shows the key attributes and packages for the ispMACH5000B devices.

ispMACH 5000B Architecture

The ispMACH 5000B Family of In-System Programmable (ISP™) high density programmable logic devices is based on Generic Logic Blocks (GLBs) and a global routing pool (GRP) structure interconnecting the GLBs.

Outputs from the GLBs drive the GRP. Enhanced switching resources are provided to allow signals in the GRP to drive any or all of the GLBs. This mechanism allows fast, efficient connections across the entire device. Figure 1 shows the basic ispMACH 5000B architecture.

Generic Logic Block

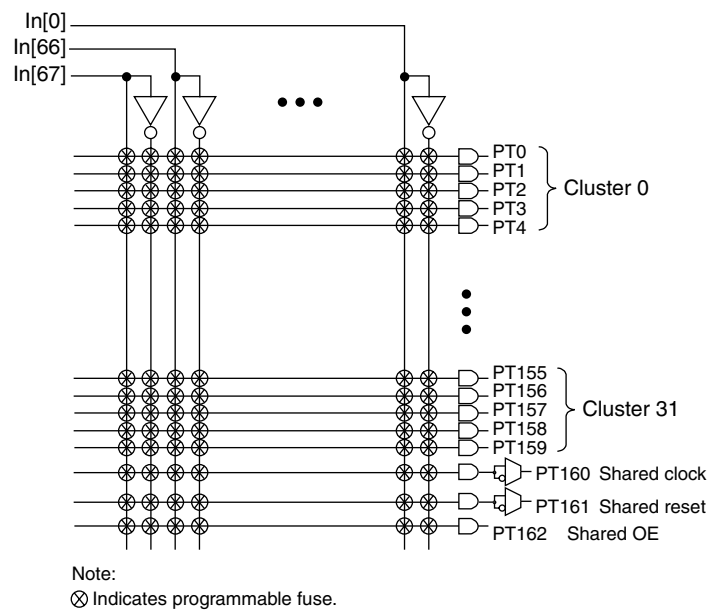
Each GLB contains 32 macrocells and a fully populated, programmable AND-array with 160 logic product terms and three GLB-level control product terms. The GLB has 68 inputs from the GRP, which are available in both true

and complement form for every product term. The three control product terms are used for shared reset, clock and output enable functions.

AND-Array

The programmable AND-array consists of 68 inputs and 163 output product terms. The 68 inputs from the GRP are used to form 136 lines in the AND-array (true and complement of the inputs). Each line in the array can be connected to any of the 163 output product terms via a wired AND. Each of the 160 logic product terms feed the Dual-OR Array with the remaining three control product terms feeding the Shared PT Clock, Shared PT Reset, and Shared PT OE. Every set of five product terms from the 160 logic product terms forms a product term cluster starting with PT0. There is one product term cluster for every macrocell in the GLB. In addition to the three control product terms, the first, third, fourth and fifth product terms of each cluster can be used as a PTOE (output macrocells only), PT Clock, PT Preset and PT Reset, respectively. Figure 2 is a graphical representation of the AND-Array.

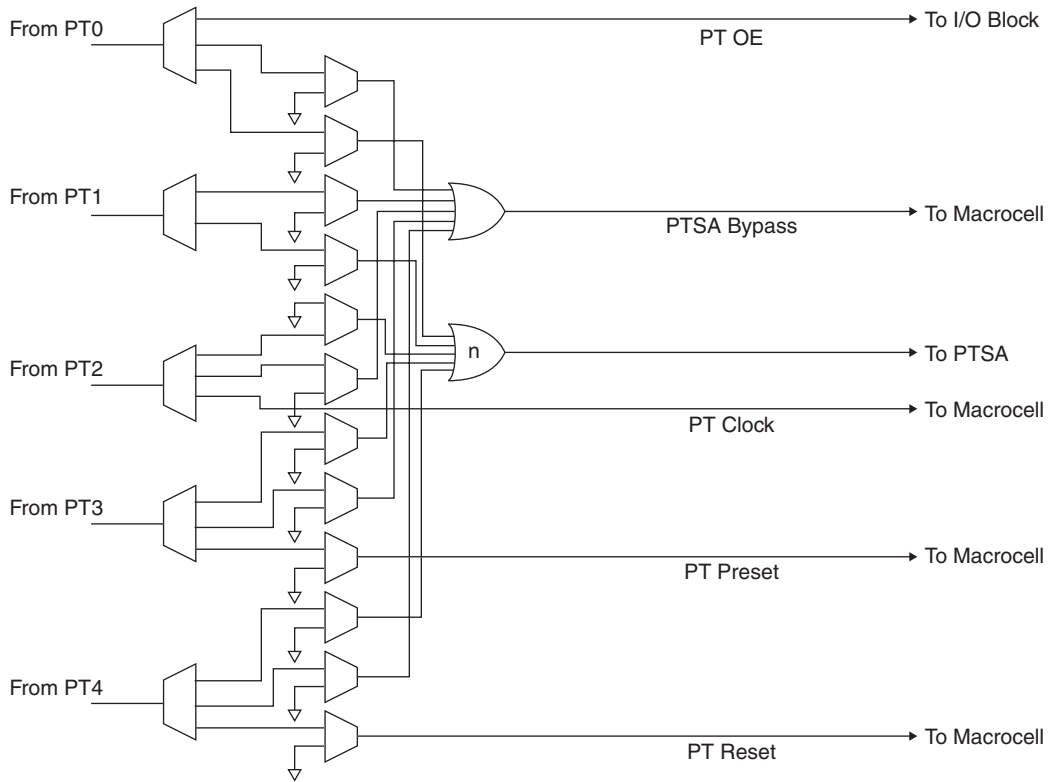
Figure 2. ispMACH 5000B AND-Array



Dual-OR Array

There are two OR gates per macrocell in the GLB. These OR gates are referred to as the PTSA OR gate and the PTSA-Bypass OR gate. The PTSA-Bypass OR gate receives its five inputs from the combination of product terms associated with the product term cluster. The PTSA-Bypass OR gate feeds the macrocell directly for fast narrow logic. The PTSA OR gate receives its inputs from the combination of product terms associated with the product term cluster. Figure 3 shows the Dual-OR Array.

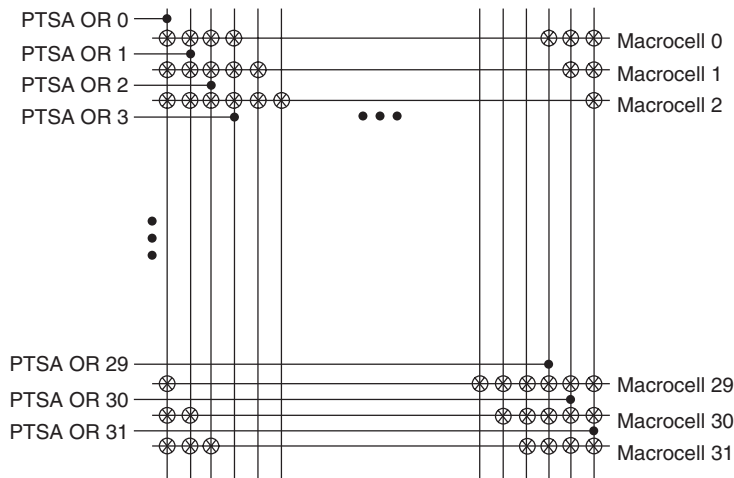
Figure 3. ispMACH 5000B Dual-OR Array



Product Term Sharing Array

The Product Term Sharing Array (PTSA) consists of 32 inputs from the Dual-OR Array and 32 outputs directly to the macrocells. Each output is the OR term of any combination of the seven PTSA OR terms connected to that output. Every Nth macrocell is connected to N-3, N-2, N-1, N, N+1, N+2, and N+3 PTSA OR terms via a programmable connection. Figure 4 shows the graphical representation of the PTSA.

Figure 4. ispMACH 5000B PTSA



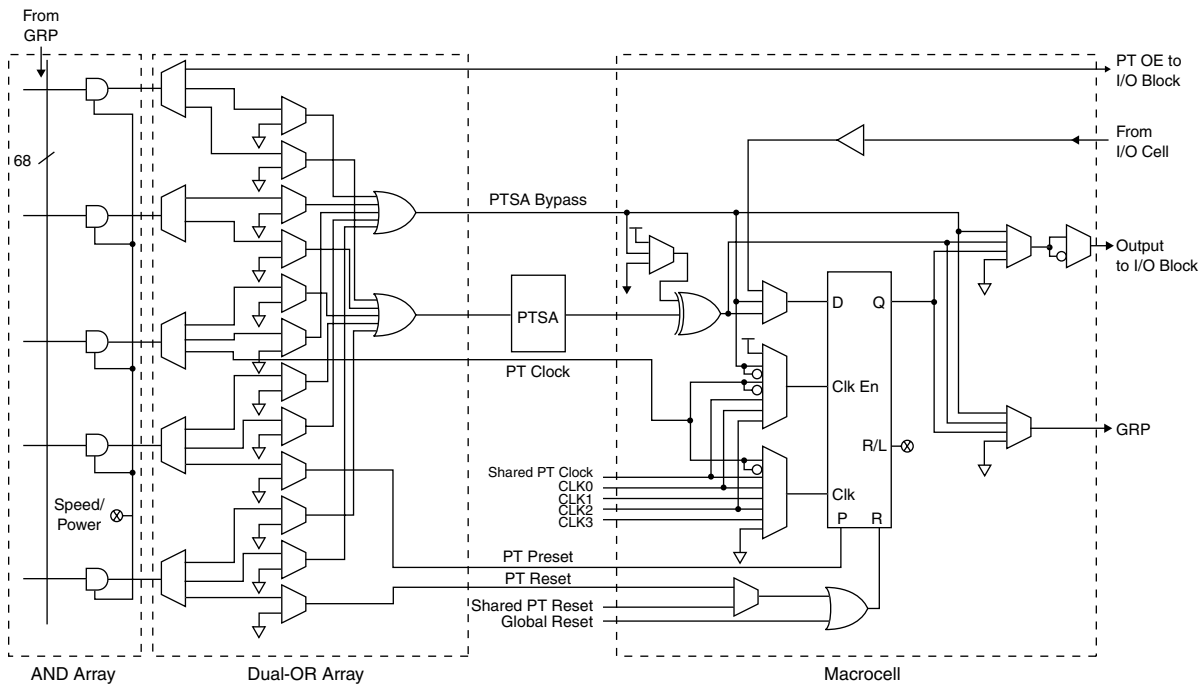
Macrocell

The 32 registered macrocells in the GLB are driven by the 32 outputs from the PTSA or the PTSA bypass. Each macrocell contains a programmable XOR gate, a programmable register/latch flip-flop and the necessary clocks and control logic to allow combinatorial or registered operation.

The macrocells each have two outputs, which can be fed to the GRP and I/O cell. This dual or concurrent output capability from the macrocell gives efficient use of the hardware resources. One output can be a registered function for example, while the other output can be an unrelated combinatorial function. A direct register input from the I/O cell facilitates efficient use of the macrocell to construct high-speed input registers.

Macrocell registers can be clocked from one of several global or product term clocks available on the device. A global and product term clock enable is also provided, eliminating the need to gate the clock to the macrocell registers directly. Reset and preset for the macrocell register is provided from both global and product term signals. The macrocell register can be programmed to operate as a D-type register or a D-type latch. Figure 5 is a graphical representation of the ispMACH 5000B macrocell.

Figure 5. ispMACH 5000B Macrocell



I/O Cell

The ispMACH 5000B I/O cell provides a high degree of flexibility. It includes the sysIO feature and an enhanced output enable MUX for optimal performance both on- and off-chip. The sysIO feature allows I/O cells to be configured to different I/O standards, drive strengths and slew rates. The enhanced output enable MUX provides up to 14 different output enable choices per I/O cell.

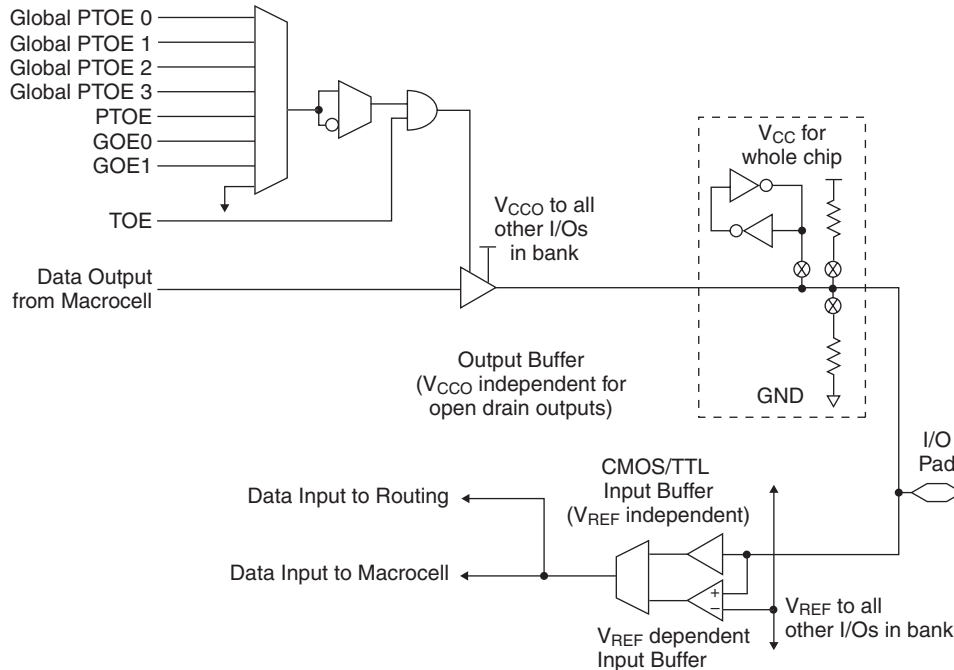
The I/O cell contains an output enable (OE) MUX, a programmable tri-state output buffer, a programmable input buffer, a programmable pull-up resistor, a programmable pull-down resistor and a programmable bus-friendly latch. The I/O cell receives its input from its associated macrocell. The I/O cell has a feedback line to its associated macrocell and a direct path to the GRP.

The output enable (OE) MUX selects the OE signal per I/O cell. The inputs to the OE MUX are the four shared PTOE signals, PTOE, the two GOE signals. The OE MUX also has the ability to choose either the true or inverse of

each of these signals. The output of the OE MUX goes through a logical AND with the TOE signal to allow easy tri-stating of the outputs for testing purposes.

The four Shared PTOE signals are derived from PT163 of each GLB. The PTOE signal is derived from the first product term in each macrocell cluster, which is directly routed to the OE MUX. Therefore, every I/O cell can have a different OE signal. Figure 6 is a graphical representation of the I/O cell.

Figure 6. ispMACH 5000B I/O Cell



sysIO Capability

The ispMACH 5000B devices are divided into four sysIO banks, where each bank is capable of supporting 14 different I/O standards. Each sysIO bank has its own I/O supply voltage (V_{CCO}), reference voltage (V_{REF}), and termination voltage (V_{TT} , as applicable), resources allowing each bank complete independence from the others. Each I/O within a bank is individually configurable consistent with the V_{CCO} and V_{REF} settings. In addition, each I/O has individually configurable drive strength, weak pull-up, weak pull-down or a bus-friendly latch. Table 2 lists the sysIO standards with the typical values for V_{CCO} , V_{REF} and V_{TT} .

The TOE and JTAG pins of the ispMACH 5000B device are the only pins that do not have sysIO capabilities. These pins support the 2.5V LVTTTL and LVCMOS standards.

There are three classes of I/O interface standards implemented in the ispMACH 5000B devices. The first is the un-terminated, single-ended interface. It includes the 3.3V LVTTTL standard along with the 1.8V, 2.5V and 3.3V LVCMOS interface standards. Additionally, PCI and AGP-1X are all subsets of this type of interface.

The second type of interface implemented is the terminated, single-ended interface standard. This group of interfaces includes different versions of SSTL and HSTL interfaces along with CTT, GTL+ and single-ended LVPECL. Use of these particular I/O interfaces requires an additional V_{REF} signal. At the system level a termination voltage, V_{TT} , is also required. Typically an output will be terminated to V_{TT} at the receiving end of the transmission line it is driving.

The final type of interfaces implemented are the differential standards LVDS and LVPECL. These interfaces are implemented on clock pins only. When using one of the differential standards, a pair of global clock pins (GCLK0 and GCLK1 or GCLK2 and GCLK3) are combined to create a single clock signal.

For more information on the sysIO capability, please refer to technical note number TN1000, *sysIO Design and Usage Guidelines* available on the Lattice web site at www.latticesemi.com.

Table 2. ispMACH 5000B Supported I/O Standards

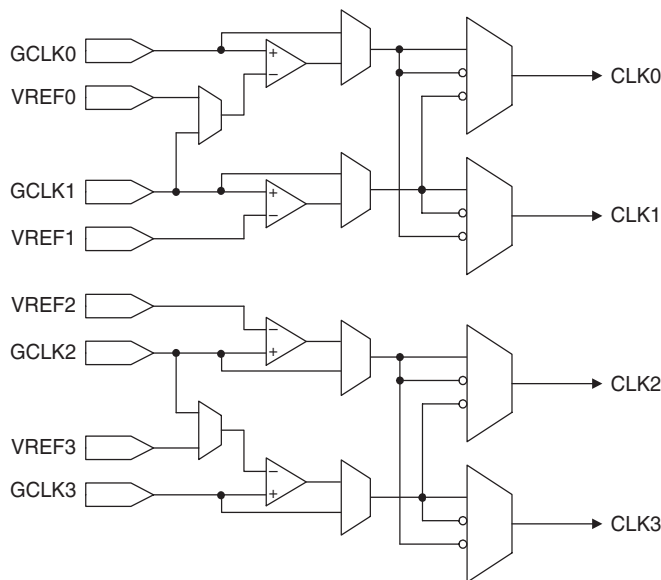
sysIO Standard	V _{CCO}	V _{REF}	V _{TT}
LVTTTL	3.3V	N/A	N/A
LVC MOS 3.3	3.3V	N/A	N/A
LVC MOS 2.5	2.5V	N/A	N/A
LVC MOS 1.8	1.8V	N/A	N/A
PCI 3.3	3.3V	N/A	N/A
AGP-1X	3.3V	N/A	N/A
SSTL3, Class I, II	3.3V	1.5V	1.5V
SSTL2, Class I, II	2.5V	1.25V	1.25V
CTT 3.3	3.3V	1.5V	1.5V
CTT 2.5	2.5V	1.25V	1.25V
HSTL, Class I	1.5V	0.75V	0.75V
HSTL, Class III	1.5V	0.9	0.75V
GTL+	N/A	1.0V	1.5V

GLB Clock Distribution

The ispLSI 5000B family has four dedicated clock input pins: GCLK0-GCLK3. These feed the Global Clock MUX, which generates the four global clock signals (CLK0-CLK3). The global clock MUX allows a variety of combinations of complementary forms of the clock to be used within the device. Additionally, the ispMACH 5000B clock distribution network offers a differential pair of clock inputs into the global clock MUX for added flexibility. Figure 7 shows the global clock MUX.

The global clock pins are arranged in two pairs, GCLK0 and GCLK1 signals are in one pair and GCLK2 and GCLK3 signals are in the other pair. The pins are arranged on the die such that each pair of external clock signals can generate one internal clock from either side of the die when used in differential inputs. This arrangement allows the clock pins to be used either as four single ended clock signals or two differential (LVPECL or LVDS) clock signal. Both polarities of the clock are available to drive the internal clock distribution networks.

Figure 7. ispMACH 5000B Global Clock MUX



Power Management

The ispMACH 5000B devices provide unique power management controls. The device has two power settings, high power and low power, on a per node basis. Low power consumption is approximately 50% of high power consumption with a timing delay adder (t_{LP}) to the routing delay of the low power node. Each node can be configured as either high power or low power. However, care should be taken when sharing product terms between nodes with different power settings.

The ispMACH 5000B devices also have a power-off feature for product terms that are not used. By default, any product term that is not used is configured as such. This allows the device to operate at minimal power consumption without affecting the timing of the design. For further information on power management, please refer to technical note number TN1023, *Power Estimation in ispMACH 5000B Devices* available on the Lattice web site at www.latticesemi.com.

IEEE 1149.1-Compliant Boundary Scan Testability

All ispMACH 5000B devices have boundary scan cells and are compliant to the IEEE 1149.1 standard. This allows functional testing of the circuit board on which the device is mounted through a serial scan path that can access all critical logic nodes. Internal registers are linked internally, allowing test data to be shifted in and loaded directly onto test nodes, or test node data to be captured and shifted out for verification. In addition, these devices can be linked into a board-level serial scan path for more board-level testing.

sysIO Quick Configuration

To facilitate the most efficient board test, the physical circuit configuration of the I/O cells must be set before running any continuity tests. As these tests are fast, by nature, the overhead and time that is required for configuration of the I/Os should be minimal so that board test time is minimized. The ispMACH 5000B family of devices supports this by offering the user the ability to quickly configure the I/O standard supported by the sysIO cells. This quick configuration takes milliseconds to complete, whereas it takes seconds for the entire device to be programmed. Lattice's ispVM™ System programming software can either perform the quick configuration through the PC parallel port, or can generate the ATE or test vectors necessary for a third-party test system.

IEEE 1532-Compliant In-System Programming

In-system programming of devices provides a number of significant benefits including rapid prototyping, lower inventory levels, higher quality, and the ability to make in-field modifications. All ispMACH 5000B devices provide in-system programmability through their Boundary Scan Test Access Port. This capability has been implemented in a manner

that ensures that the port remains compliant to the IEEE 1532 standard. By using IEEE 1532 as the communication interface through which ISP is achieved, customers get the benefit of a standard, well-defined interface.

The ispMACH 5000B devices can be programmed across the commercial temperature and voltage range. The PC-based Lattice software facilitates in-system programming of ispMACH 5000B devices. The software takes the JEDEC file output produced by the design implementation software, along with information about the JTAG chain, and creates a set of vectors that are used to drive the JTAG chain. The software can use these vectors to drive a JTAG chain via the parallel port of a PC. Alternatively, the software can output files in formats understood by common automated test equipment. This equipment can then be used to program ispMACH 5000B devices during the testing of a circuit board.

Security Scheme

A programmable security scheme is provided on the ispMACH 5000B devices as a deterrent to unauthorized copying of the array configuration patterns. Once programmed, this security prevents readback of the programmed pattern by a device programmer, securing proprietary designs from competitors. The security scheme also prevents programming and verification. The entire device must be erased in order to reset the security scheme.

Hot Socketing

The ispMACH 5000B devices are well suited for those applications that require hot socketing capability. Hot socketing a device requires that the device, when powered down, can tolerate active signals on the I/Os and inputs without being damaged. Additionally, it requires that the effects of the powered-down device be minimal on active signals.

Density Migration

The ispMACH 5000B family has been designed to ensure that different density devices in the same package have the same pin-out. Furthermore, the architecture ensures a high success rate when performing design migration from lower density parts to higher density parts. In many cases, it is possible to shift a lower utilization design targeted for a high density device to a lower density device. However, the exact details of the final resource utilization will impact the likely success in each case.

Absolute Maximum Ratings^{1, 2, 3}

Supply Voltage V_{CC} -0.5 to 4.05V
 Output Supply Voltage V_{CCO} -0.5 to 4.05V
 Input Voltage Applied⁴ -0.5 to 4.05V
 Tri-state Output Voltage Applied. -0.5 to 4.05V
 Storage Temperature -65 to 150°C
 Junction Temperature (T_J) with Power Applied. -55 to 130°C

1. Stress above those listed under the “Absolute Maximum Ratings” may cause permanent damage to the device. Functional operation of the device at these or any other conditions above those indicated in the operational sections of this specification is not implied.
2. Compliance with Lattice *Thermal Management* document is required.
3. All voltages referenced to GND.
4. Overshoot and Undershoot of -2V to ($V_{IHMAX} + 2$) volts is permitted for a duration of < 20ns.

Recommended Operating Conditions

Symbol	Parameter	Min	Max	Units
V_{CC}	Supply Voltage	2.3	2.7	V
T_J	Junction Temperature (Commercial)	0	90	C
	Junction Temperature (Industrial)	-40	105	C

Erase Reprogram Specifications

Parameter	Min	Max	Units
Erase/Reprogram Cycle	1,000	—	Cycles

Hot Socketing Characteristics^{1,2,3}

Symbol	Parameter	Condition	Min	Typ	Max	Units
I_{DK}	Input or I/O Leakage Current	$0 \leq V_{IN} \leq V_{IH} (MAX)$	—	—	+/- 100	μA
		$V_{IH} (MAX) \leq V_{IN} \leq 3.6V$	—	—	+/- 100	μA

1. Insensitive to sequence of V_{CC} and V_{CCO} . However, assumes monotonic rise / fall rates for V_{CC} and V_{CCO} .
2. LVTTTL, LVCMOS only
3. $0 \leq V_{CC} \leq V_{CC} (MAX)$, $0 \leq V_{CCO} \leq V_{CCO} (MAX)$

DC Electrical Characteristics

Over Recommended Operating Conditions

Symbol	Parameter	Condition	Min	Typ	Max	Units
$I_{IL}, I_{IH}^{1,2}$	Input	$0V \leq V_{IN} \leq V_{CC}$	—	—	+/- 10	μA
	I/O	$0V \leq V_{IN} \leq V_{CCO}$	—	—	+/- 10	μA
I_{DK}	Input	$V_{CC} \leq V_{IN} \leq 3.6V$	—	—	+/- 100	μA
	I/O	$V_{CCO} \leq V_{IN} \leq 3.6V$	—	—	+/- 100	μA
I_{PU}^2	I/O Weak Pull-up Resistor Current	$0V \leq V_{IN} \leq 1.7V$	-30	—	-150	μA
		$1.7V < V_{IN} \leq 2.0V$	-15	—	-150	μA
I_{PD}^2	I/O Weak Pull-down Resistor Current	$V_{IL} (MAX) \leq V_{IN} \leq V_{IH} (MAX)$	30	—	150	μA
I_{BHLS}^2	Bus Hold Low Sustaining Current	$V_{IN} = V_{IL} (MAX)$	30	—	—	μA
I_{BHHS}^2	Bus Hold High Sustaining Current	$V_{IN} = 1.7V$	-30	—	—	μA
		$V_{IN} = 2.0V$	-15	—	—	μA
I_{BHLO}^2	Bus Hold Low Overdrive Current	$0V \leq V_{IN} \leq 3.6V$	—	—	150	μA
I_{BHHO}^2	Bus Hold High Overdrive Current	$0V \leq V_{IN} \leq 3.6V$	—	—	-150	μA
V_{BHT}	Bus Hold Trip Points		$V_{IL} (MAX)$	—	$V_{IH} (MIN)$	V
$I_{CCO}^{3,4,5,6}$	I/O Supply Current	No Output Loading $V_{CCO} = 3.3V$	—	—	10	mA
		No Output Loading $V_{CCO} = 2.5V$	—	—	10	mA
		No Output Loading $V_{CCO} = 1.8V$	—	—	10	mA
C_1	I/O Capacitance ³	$V_{CC} = 2.5V, V_{IO} = 0 \text{ to } 3.6V$	—	8	—	pf
C_2	Clock Capacitance ³	$V_{CC} = 2.5V, V_{CLOCK} = 0 \text{ to } 3.6V$	—	10	—	pf
C_3	Global Input Capacitance ³	$V_{CC} = 2.5V, V_{GLOBAL} = 0 \text{ to } 3.6V$	—	10	—	pf

1. Input or I/O leakage current is measured with the pin configured as an input or as an I/O with the output driver tri-stated. It is not measured with the output driver active. Bus maintenance circuits are disabled.

2. Only available for LVCMOS and LVTTTL standards.

3. $T_A = 25^\circ C, f = 1.0MHz$.

4. Device configured with 16-bit counters.

5. I_{CC} varies with specific device configuration and operating frequency.

6. Per bank.

Supply Current

Symbol	Parameter	Condition	Min	Typ	Max	Units
ispMACH 5128B						
$I_{CC}^{1,2,3}$	Operating Power Supply Current	$V_{CCO} = 2.5V$	—	83	—	mA
ispMACH 5256B						
$I_{CC}^{1,2,3}$	Operating Power Supply Current	$V_{CCO} = 2.5V$	—	130	—	mA
ispMACH 5384B						
$I_{CC}^{1,2,3}$	Operating Power Supply Current	$V_{CCO} = 2.5V$	—	216	—	mA
ispMACH 5512B						
$I_{CC}^{1,2,3}$	Operating Power Supply Current	$V_{CCO} = 2.5V$	—	270	—	mA

1. $T_A = 25^\circ C, f = 1.0MHz$.

2. Device configured with 16-bit counters.

3. I_{CC} varies with specific device configuration and operating frequency.

sysIO Recommended Operating Conditions

Standard	V_{CCO} (V)		V_{REF} (V)	
	Min	Max	Min	Max
LVTTTL	3.0	3.6	—	—
LVC MOS 3.3	3.0	3.6	—	—
LVC MOS 2.5 ¹	2.3	2.7	—	—
LVC MOS 1.8	1.65	1.95	—	—
PCI 3.3	3.0	3.6	—	—
AGP-1X	3.15	3.45	—	—
SSTL 3, Class I, II	3.0	3.6	1.3	1.7
SSTL 2, Class I, II	2.3	2.7	1.15	1.35
CTT 3.3	3.0	3.6	1.35	1.65
CTT 2.5	2.3	2.7	1.35	1.65
HSTL	1.4	1.6	0.68	0.9
GTL+	1.4	3.6	0.882	1.122

1. Software default setting.

sysIO DC Electrical Characteristics

Over Recommended Operating Conditions

Input/Output Standard	V_{IL}		V_{IH}		V_{OL} Max (V)	V_{OH} Min (V)	I_{OL}^2 (mA)	I_{OH}^2 (mA)
	Min (V)	Max (V)	Min (V)	Max (V)				
LVC MOS 3.3	-0.3	0.8	2.0	3.6	0.4	2.4	20, 16, 12, 8, 5.33, 4	-20, -16, -12, -8, -5.33 -4
LV TTL	-0.3	0.8	2.0	3.6	0.4	2.4	20	20
					0.2	$V_{CCO} - 0.2$	0.1	0.1
LVC MOS 2.5 ¹	-0.3	0.7	1.7	3.6	0.4	$V_{CCO} - 0.4$	8	-8
LVC MOS 2.5	-0.3	0.7	1.7	3.6	0.4	$V_{CCO} - 0.4$	16, 12, 5.33, 4	-16, -12, -5.33, -4
					0.2	$V_{CCO} - 0.2$	0.1	-0.1
LVC MOS 1.8	-0.3	0.68	1.07	3.6	0.4	$V_{CCO} - 0.4$	12, 8, 5.33, 4	-12, -8, -5.33, -4
					0.2	$V_{CCO} - 0.2$	0.1	-0.1
PCI 3.3	-0.3	1.08	1.5	3.6	$0.1V_{CCO}$	$0.9V_{CCO}$	1.5	-0.5
AGP-1X	-0.3	1.08	1.5	3.6	$0.1V_{CCO}$	$0.9V_{CCO}$	1.5	-0.5
SSTL3 class I	-0.3	$V_{REF} - 0.2$	$V_{REF} + 0.2$	3.6	0.7	$V_{CCO} - 1.1$	8	-8
SSTL3 class II	-0.3	$V_{REF} - 0.2$	$V_{REF} + 0.2$	3.6	0.5	$V_{CCO} - 0.9$	16	-16
SSTL2 class I	-0.3	$V_{REF} - 0.18$	$V_{REF} + 0.18$	3.6	0.54	$V_{CCO} - 0.62$	7.6	-7.6
SSTL2 class II	-0.3	$V_{REF} - 0.18$	$V_{REF} + 0.18$	3.6	0.35	$V_{CCO} - 0.43$	15.2	-15.2
CTT 3.3	-0.3	$V_{REF} - 0.2$	$V_{REF} + 0.2$	3.6	$V_{REF} - 0.4$	$V_{REF} + 0.4$	8	-8
CTT 2.5	-0.3	$V_{REF} - 0.2$	$V_{REF} + 0.2$	3.6	$V_{REF} - 0.4$	$V_{REF} + 0.4$	8	-8
HSTL class I	-0.3	$V_{REF} - 0.1$	$V_{REF} + 0.1$	3.6	0.4	$V_{CCO} - 0.4$	8	-8
HSTL class III	-0.3	$V_{REF} - 0.1$	$V_{REF} + 0.1$	3.6	0.4	$V_{CCO} - 0.4$	24	-8
GLT+	-0.3	$V_{REF} - 0.2$	$V_{REF} + 0.2$	3.6	0.6	N/A	36	N/A

1. Software default setting

2. The average DC current drawn by I/Os between adjacent bank GND connections, or between the last GND in an I/O bank and the end of the I/O bank, as shown in the logic signals connection table, shall not exceed 96mA.

sysIO Differential Input DC Electrical Characteristics and Operating Conditions

Symbol	Parameter	Test Conditions	Min	Max
$V_{INP} - V_{INM}$	LVDS Input voltage	—	0V	2.4V
V_{THD}	LVDS Differential input threshold	—	+/- 100mV	—
V_{IL}^1	LVPECL Input Voltage Low	$V_{CCIO} = 3.0$ to $3.6V$	$V_{CCIO} - 1.81V$	$V_{CCIO} - 1.48V$
		$V_{CCIO} = 3.3V$	1.49V	1.83V
V_{IH}^1	LVPECL Input Voltage High	$V_{CCIO} = 3.0$ to $3.6V$	$V_{CCIO} - 1.17V$	$V_{CCIO} - 0.88V$
		$V_{CCIO} = 3.3V$	2.14V	2.42V

1. V_{CCIO} is in 3.3V range.

ispMACH 5128B External Switching Characteristics

Over Recommended Operating Conditions

Parameter	Description ^{1, 2, 3}	-3		-5		-75		-10		Units
		Min.	Max.	Min.	Max.	Min.	Max.	Min.	Max.	
t _{PD}	Data propagation delay, 5-PT bypass	-	3.0	-	5.0	-	7.5	-	10.0	ns
t _{PD_PTSA}	Propagation delay	-	3.8	-	6.5	-	9.0	-	12.0	ns
t _S	GLB register setup time before clock, 5-PT bypass	1.7	-	3.0	-	5.0	-	6.5	-	ns
t _{S_PTSA}	GLB register setup time before clock	2.2	-	4.0	-	6.5	-	8.5	-	ns
t _{SIR}	GLB register setup time before clock, input register path, 5-PT bypass	2.0	-	2.5	-	3.5	-	5.0	-	ns
t _H	GLB register hold time before clock, 5-PT bypass	0.0	-	0.0	-	0.0	-	0.0	-	ns
t _{H_PTSA}	GLB register hold time before clock	0.0	-	0.0	-	0.0	-	0.0	-	ns
t _{HIR}	GLB register hold time before clock, input reg.path	0.0	-	0.0	-	0.0	-	0.0	-	ns
t _{CO}	GLB register clock-to-output delay	-	2.2	-	3.0	-	4.0	-	5.5	ns
t _R	External reset pin to output delay	-	2.5	-	5.0	-	7.5	-	10.0	ns
t _{RW}	Reset pulse duration	3.0	-	3.5	-	5.0	-	6.5	-	ns
t _{PTEN/DIS}	Input to output local product term output enable/disable	-	4.0	-	6.0	-	8.5	-	10.0	ns
t _{GPTEN/DIS}	Input to output global product term output enable/disable	-	4.2	-	7.0	-	10.0	-	12.0	ns
t _{GOE/DIS}	Global OE input to output enable/disable	-	2.5	-	3.7	-	5.5	-	7.5	ns
t _{CW}	Clock pulse duration	1.3	-	2.2	-	2.5	-	2.8	-	ns
t _{GW}	Global gate width low (for low transparent) or high (for high transparent)	1.3	-	2.2	-	2.5	-	2.8	-	ns
t _{WIR}	Input register clock width, high or low	1.3	-	2.2	-	2.5	-	2.8	-	ns
f _{MAX} ⁴	Clock frequency with internal feedback	275	-	180	-	150	-	110	-	MHz
f _{MAX} (Ext.)	Clock frequency with external feedback, 1/(t _{S_PTSA} + t _{CO})	227	-	142	-	95	-	71	-	MHz
f _{MAX} (Tog.)	Clock frequency max toggle	350	-	225	-	200	-	175	-	MHz

Timing v.1.0

1. Timing Numbers are based on default LVCMOS 2.5V, 8mA I/O buffers. Use timing adjusters provided to calculate timing for other standards.
2. Measured using standard switching circuit, assuming global routing loading of 1, worst case PTSA loading, CLK0, 1 output switching and high speed AND array.
3. Pulse widths and clock widths less than minimum will cause unknown behavior.
4. Standard 16-bit counter using GRP feedback.

ispMACH 5256B External Switching Characteristics

Over Recommended Operating Conditions

Parameter	Description ^{1, 2, 3}	-4		-5		-75		-10		Units
		Min.	Max.	Min.	Max.	Min.	Max.	Min.	Max.	
t _{PD}	Data propagation delay, 5-PT bypass	-	4.0	-	5.0	-	7.5	-	10.0	ns
t _{PD_PTSA}	Propagation delay	-	4.8	-	6.5	-	9.0	-	12.0	ns
t _S	GLB register setup time before clock, 5-PT bypass	2.1	-	3.0	-	5.0	-	6.5	-	ns
t _{S_PTSA}	GLB register setup time before clock	2.7	-	4.0	-	6.5	-	8.5	-	ns
t _{SIR}	GLB register setup time before clock, input register path, 5-PT bypass	1.9	-	2.5	-	3.5	-	5.0	-	ns
t _H	GLB register hold time before clock, 5-PT bypass	0.0	-	0.0	-	0.0	-	0.0	-	ns
t _{H_PTSA}	GLB register hold time before clock	0.0	-	0.0	-	0.0	-	0.0	-	ns
t _{HIR}	GLB register hold time before clock, input reg.path	0.0	-	0.0	-	0.0	-	0.0	-	ns
t _{CO}	GLB register clock-to-output delay	-	2.7	-	3.0	-	4.0	-	5.5	ns
t _R	External reset pin to output delay	-	3.8	-	5.0	-	7.5	-	10.0	ns
t _{RW}	Reset pulse duration	3.0	-	3.5	-	5.0	-	6.5	-	ns
t _{PTEN/DIS}	Input to output local product term output enable/disable	-	5.0	-	6.0	-	8.5	-	10.0	ns
t _{GPTEN/DIS}	Input to output global product term output enable/disable	-	5.5	-	7.0	-	10.0	-	12.0	ns
t _{GOE/DIS}	Global OE input to output enable/disable	-	3.4	-	3.7	-	5.5	-	7.5	ns
t _{CW}	Clock pulse duration	1.5	-	2.2	-	2.5	-	2.8	-	ns
t _{GW}	Global gate width low (for low transparent) or high (for high transparent)	1.5	-	2.2	-	2.5	-	2.8	-	ns
t _{WIR}	Input register clock width, high or low	1.5	-	2.2	-	2.5	-	2.8	-	ns
f _{MAX} ⁴	Clock frequency with internal feedback	250	-	180	-	150	-	110	-	MHz
f _{MAX} (Ext.)	Clock frequency with external feedback, 1/(t _{S_PTSA} + t _{CO})	185	-	142	-	95	-	71	-	MHz
f _{MAX} (Tog.)	Clock frequency max toggle	333	-	225	-	200	-	175	-	MHz

Timing v.1.3

1. Timing Numbers are based on default LVCMOS 2.5V, 8mA I/O buffers. Use timing adjusters provided to calculate timing for other standards.
2. Measured using standard switching circuit, assuming global routing loading of 1, worst case PTSA loading, CLK0, 1 output switching and high speed AND array.
3. Pulse widths and clock widths less than minimum will cause unknown behavior.
4. Standard 16-bit counter using GRP feedback.

ispMACH 5384B External Switching Characteristics

Over Recommended Operating Conditions

Parameter	Description ^{1, 2, 3}	-4		-5		-75		-10		Units
		Min.	Max.	Min.	Max.	Min.	Max.	Min.	Max.	
t _{PD}	Data propagation delay, 5-PT bypass	-	4.0	-	5.0	-	7.5	-	10.0	ns
t _{PD_PTSA}	Propagation delay	-	4.8	-	6.5	-	9.0	-	12.0	ns
t _S	GLB register setup time before clock, 5-PT bypass	2.1	-	3.0	-	5.0	-	6.5	-	ns
t _{S_PTSA}	GLB register setup time before clock	2.7	-	4.0	-	6.5	-	8.5	-	ns
t _{SIR}	GLB register setup time before clock, input register path, 5-PT bypass	1.9	-	2.5	-	3.5	-	5.0	-	ns
t _H	GLB register hold time before clock, 5-PT bypass	0.0	-	0.0	-	0.0	-	0.0	-	ns
t _{H_PTSA}	GLB register hold time before clock	0.0	-	0.0	-	0.0	-	0.0	-	ns
t _{HIR}	GLB register hold time before clock, input reg.path	0.00	-	0.0	-	0.0	-	0.0	-	ns
t _{CO}	GLB register clock-to-output delay	-	2.7	-	3.0	-	4.0	-	5.5	ns
t _R	External reset pin to output delay	-	3.8	-	5.0	-	7.5	-	10.0	ns
t _{RW}	Reset pulse duration	3.0	-	3.5	-	5.0	-	6.5	-	ns
t _{PTEN/DIS}	Input to output local product term output enable/disable	-	5.0	-	6.0	-	8.5	-	10.0	ns
t _{GPTEN/DIS}	Input to output global product term output enable/disable	-	5.5	-	7.0	-	10.0	-	12.0	ns
t _{GOE/DIS}	Global OE input to output enable/disable	-	3.4	-	3.7	-	5.5	-	7.5	ns
t _{CW}	Clock pulse duration	1.5	-	2.2	-	2.5	-	2.8	-	ns
t _{GW}	Global gate width low (for low transparent) or high (for high transparent)	1.5	-	2.2	-	2.5	-	2.8	-	ns
t _{WIR}	Input register clock width, high or low	1.5	-	2.2	-	2.5	-	2.8	-	ns
f _{MAX} ⁴	Clock frequency with internal feedback	250	-	180	-	150	-	110	-	MHz
f _{MAX} (Ext.)	Clock frequency with external feedback, 1/(t _{S_PTSA} +t _{CO})	185	-	142	-	95	-	71	-	MHz
f _{MAX} (Tog.)	Clock frequency max toggle	333	-	225	-	200	-	175	-	MHz

Timing v.1.0

1. Timing Numbers are based on default LVCMOS 2.5V, 8mA I/O buffers. Use timing adjusters provided to calculate timing for other standards.
2. Measured using standard switching circuit, assuming global routing loading of 1, worst case PTSA loading, CLK0, 1 output switching and high speed AND array.
3. Pulse widths and clock widths less than minimum will cause unknown behavior.
4. Standard 16-bit counter using GRP feedback.

ispMACH 5512B External Switching Characteristics

Over Recommended Operating Conditions

Parameter	Description ^{1, 2, 3}	-45		-75		-10		-12		Units
		Min.	Max.	Min.	Max.	Min.	Max.	Min.	Max.	
t _{PD}	Data propagation delay, 5-PT bypass	-	4.5	-	7.5	-	10.0	-	12.0	ns
t _{PD_PTSA}	Propagation delay	-	5.3	-	9.0	-	12.0	-	15.0	ns
t _S	GLB register setup time before clock, 5-PT bypass	2.5	-	5.0	-	6.5	-	7.5	-	ns
t _{S_PTSA}	GLB register setup time before clock	3.1	-	6.5	-	8.5	-	10.5	-	ns
t _{SIR}	GLB register setup time before clock, input register path, 5-PT bypass	1.7	-	3.5	-	5.0	-	5.5	-	ns
t _H	GLB register hold time before clock, 5-PT bypass	0.0	-	0.0	-	0.0	-	0.0	-	ns
t _{H_PTSA}	GLB register hold time before clock	0.0	-	0.0	-	0.0	-	0.0	-	ns
t _{HIR}	GLB register hold time before clock, input reg.path	0.0	-	0.0	-	0.0	-	0.0	-	ns
t _{CO}	GLB register clock-to-output delay	-	2.8	-	4.0	-	5.5	-	6.5	ns
t _R	External reset pin to output delay	-	4.2	-	7.5	-	10.0	-	12.0	ns
t _{RW}	Reset pulse duration	3.0	-	5.0	-	6.5	-	8.0	-	ns
t _{PTEN/DIS}	Input to output local product term output enable/disable	-	5.5	-	8.5	-	10.0	-	12.0	ns
t _{GPTEN/DIS}	Input to output global product term output enable/disable	-	6.3	-	10.0	-	12.0	-	15.0	ns
t _{GOE/DIS}	Global OE input to output enable/disable	-	3.5	-	5.5	-	7.5	-	9.0	ns
t _{CW}	Clock pulse duration	2.0	-	2.5	-	2.8	-	3.3	-	ns
t _{GW}	Global gate width low (for low transparent) or high (for high transparent)	2.0	-	2.5	-	2.8	-	3.3	-	ns
t _{WIR}	Input register clock width, high or low	2.0	-	2.5	-	2.8	-	3.3	-	ns
f _{MAX} ⁴	Clock frequency with internal feedback	200	-	150	-	110	-	90	-	MHz
f _{MAX} (Ext.)	Clock frequency with external feedback, 1/(t _{S_PTSA} + t _{CO})	169	-	95	-	71	-	58	-	MHz
f _{MAX} (Tog.)	Clock frequency max toggle	250	-	200	-	175	-	150	-	MHz

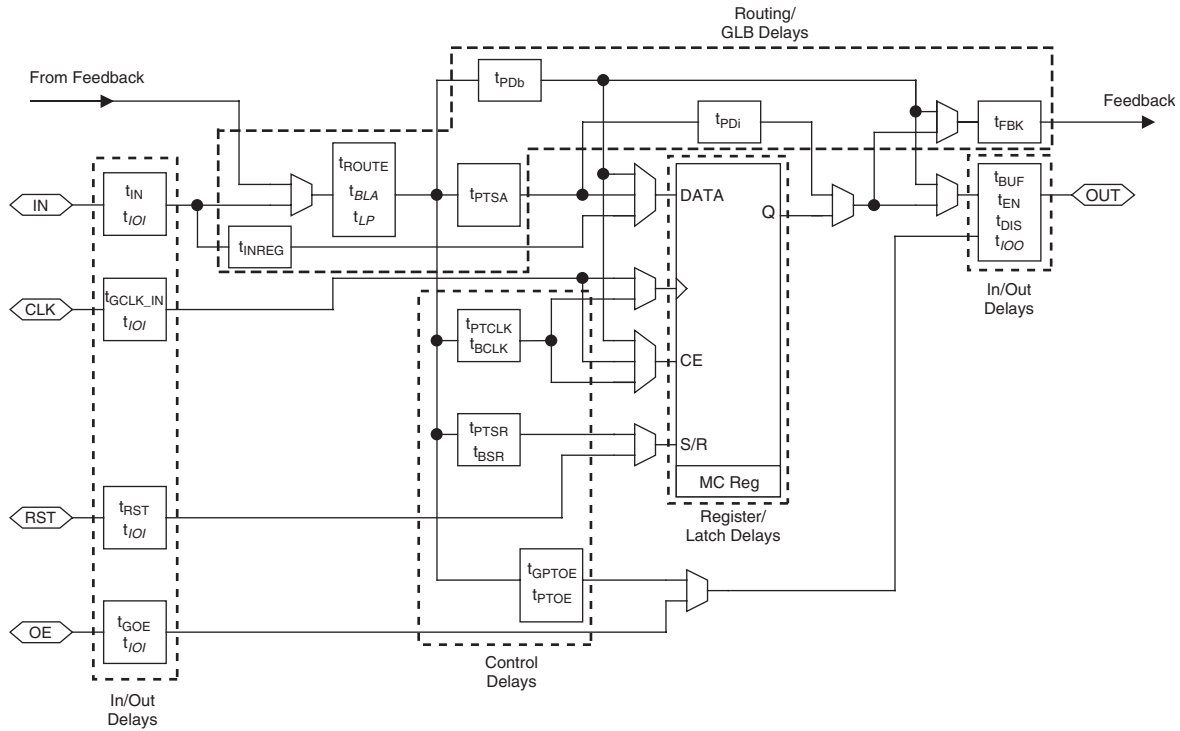
Timing v.1.1

1. Timing Numbers are based on default LVCMOS 2.5V, 8mA I/O buffers. Use timing adjusters provided to calculate timing for other standards.
2. Measured using standard switching circuit, assuming global routing loading of 1, worst case PTSA loading, CLK0 and 1 output switching and high speed AND array.
3. Pulse widths and clock widths less than minimum will cause unknown behavior.
4. Standard 16-bit counter using GRP feedback.

Timing Model

The task of determining the timing through the ispLSI 5000B family, just as any CPLD, is relatively simple. The timing model provided in Figure 8 shows the specific delay paths. Once the implementation of a given function is determined either conceptually or from the design tool report file, the delay path of the function can easily be derived from the timing model. The design tool reports the timing delays based on the same timing model for a particular design. Note that the internal timing parameters are given for reference only and are not tested. The external timing parameters are tested and guaranteed for every device.

Figure 8. ispMACH 5000B Timing Model



Note: Italicized parameters are delay adders above and beyond default conditions (i.e. GRP load of one GLB, CLK0, high-speed AND Array and VCC I/O option).

ispMACH 5128B Internal Timing Parameters¹

Over Recommended Operating Conditions

Parameter	Description	-3		-5		-75		-10		Units
		Min.	Max.	Min.	Max.	Min.	Max.	Min.	Max.	
In/Out Delays										
t _{IN}	Input Buffer Delay	-	0.30	-	0.60	-	2.00	-	2.40	ns
t _{GCLK_IN}	Global Clock Input Buffer Delay	-	1.00	-	1.50	-	1.40	-	1.90	ns
t _{GOE}	Global OE Pin Delay	-	1.60	-	2.60	-	3.00	-	4.40	ns
t _{BUF}	Delay through Output Buffer	-	0.50	-	0.80	-	1.80	-	2.50	ns
t _{EN}	Output Enable Time	-	0.90	-	1.10	-	2.50	-	3.10	ns
t _{DIS}	Output Disable Time	-	0.90	-	1.10	-	2.50	-	3.10	ns
t _{RST}	Global Rest Pin Delay	-	1.20	-	2.20	-	2.70	-	3.60	ns
Routing Delays										
t _{ROUTE}	Delay through GRP	-	1.60	-	2.50	-	2.60	-	3.70	ns
t _{PTSA}	Product Term Sharing Array	-	1.10	-	2.10	-	2.60	-	3.40	ns
t _{PDb}	5-PT Bypass Propagation Delay	-	0.60	-	1.10	-	1.10	-	1.40	ns
t _{PDi}	Macrocell Propagation Delay	-	0.30	-	0.50	-	0.00	-	0.00	ns
t _{INREG}	Input Buffer to Macrocell Register Delay	-	2.50	-	3.10	-	2.20	-	3.60	ns
t _{FBK}	Internal Feedback Delay	-	0.00	-	0.00	-	0.00	-	0.00	ns
Register/Latch Delays										
t _S	D-Register Setup Time (Global Clock)	0.20	-	0.30	-	0.70	-	0.90	-	ns
t _{S_PT}	D-Register Setup Time (Product Term Clock)	0.20	-	0.20	-	0.70	-	0.90	-	ns
t _{SL_PT}	Latch Setup Time (Product Term Clock)	0.20	-	0.20	-	0.70	-	0.90	-	ns
t _H	D-Register Hold Time	1.50	-	2.70	-	4.30	-	5.60	-	ns
t _{COi}	Register Clock to Output/Feedback Mux Time	-	0.70	-	0.70	-	0.80	-	1.10	ns
t _{CES}	Clock Enable Setup Time	3.30	-	4.30	-	4.70	-	5.00	-	ns
t _{CEH}	Clock Enable Hold Time	0.20	-	0.40	-	0.50	-	0.60	-	ns
t _{SL}	Latch Setup Time	0.20	-	0.30	-	0.70	-	0.90	-	ns
t _{HL}	Latch Hold Time	1.50	-	2.70	-	4.30	-	5.60	-	ns
t _{GOi}	Latch Gate to Output/Feedback Mux Time	-	0.70	-	0.60	-	0.80	-	1.60	ns
t _{PDLi}	Propagation Delay through Transparent Latch to Output/Feedback Mux	-	0.50	-	0.50	-	0.50	-	0.50	ns
t _{SRI}	Asynchronous Reset or Set to Output/Feedback MUX Delay	-	0.80	-	2.00	-	3.00	-	3.90	ns
t _{SRR}	Asynchronous Reset or Set Recovery Delay	1.50	-	2.70	-	4.00	-	6.00	-	ns
Control Delays										
t _{BCLK}	GLB PT Clock Delay	-	1.70	-	2.40	-	2.80	-	3.20	ns
t _{PTCLK}	Macrocell PT Clock Delay	-	1.50	-	2.10	-	2.40	-	2.70	ns
t _{BSR}	Block PT Set/Reset Delay	-	1.20	-	1.70	-	1.90	-	2.10	ns
t _{PTSR}	Macrocell PT Set/Reset Delay	-	0.80	-	1.10	-	1.20	-	1.30	ns
t _{GPTOE}	Global PT OE Delay	-	1.40	-	2.80	-	2.90	-	2.80	ns
t _{PTOE}	Macrocell PT OE Delay	-	1.20	-	1.80	-	1.40	-	0.80	ns

Timing v.1.0

1. Internal Timing Parameters are not tested and are for reference only. Refer to Timing Model in this data sheet for further details.

ispMACH 5256B Internal Timing Parameters¹

Over Recommended Operating Conditions

Parameter	Description	-4		-5		-75		-10		Units
		Min.	Max.	Min.	Max.	Min.	Max.	Min.	Max.	
In/Out Delays										
t _{IN}	Input Buffer Delay	-	0.40	-	0.60	-	2.00	-	2.40	ns
t _{GCLK_IN}	Global Clock Input Buffer Delay	-	1.20	-	1.50	-	1.40	-	1.90	ns
t _{GOE}	Global OE Pin Delay	-	2.40	-	2.60	-	3.00	-	4.40	ns
t _{BUF}	Delay through Output Buffer	-	1.00	-	0.80	-	1.80	-	2.50	ns
t _{EN}	Output Enable Time	-	1.00	-	1.10	-	2.50	-	3.10	ns
t _{DIS}	Output Disable Time	-	1.00	-	1.10	-	2.50	-	3.10	ns
t _{RST}	Global Rest Pin Delay	-	1.30	-	2.20	-	2.70	-	3.60	ns
Routing Delays										
t _{ROUTE}	Delay through GRP	-	1.80	-	2.50	-	2.60	-	3.70	ns
t _{PTSA}	Product Term Sharing Array	-	1.40	-	2.10	-	2.60	-	3.40	ns
t _{PDb}	5-PT Bypass Propagation Delay	-	0.80	-	1.10	-	1.10	-	1.40	ns
t _{PDi}	Macrocell Propagation Delay	-	0.20	-	0.50	-	0.00	-	0.00	ns
t _{INREG}	Input Buffer to Macrocell Register Delay	-	2.40	-	3.10	-	2.20	-	3.60	ns
t _{FBK}	Internal Feedback Delay	-	0.00	-	0.00	-	0.00	-	0.00	ns
Register/Latch Delays										
t _S	D-Register Setup Time (Global Clock)	0.30	-	0.30	-	0.70	-	0.90	-	ns
t _{S_PT}	D-Register Setup Time (Product Term Clock)	0.30	-	0.20	-	0.70	-	0.90	-	ns
t _{SL_PT}	Latch Setup Time (Product Term Clock)	0.30	-	0.20	-	0.70	-	0.90	-	ns
t _H	D-Register Hold Time	1.80	-	2.70	-	4.30	-	5.60	-	ns
t _{COi}	Register Clock to Output/Feedback Mux Time	-	0.50	-	0.70	-	0.80	-	1.10	ns
t _{CES}	Clock Enable Setup Time	3.90	-	4.30	-	4.70	-	5.00	-	ns
t _{CEH}	Clock Enable Hold Time	0.30	-	0.40	-	0.50	-	0.60	-	ns
t _{SL}	Latch Setup Time	0.30	-	0.30	-	0.70	-	0.90	-	ns
t _{HL}	Latch Hold Time	1.80	-	2.70	-	4.30	-	5.60	-	ns
t _{GOi}	Latch Gate to Output/Feedback Mux Time	-	0.60	-	0.60	-	0.80	-	1.60	ns
t _{PDLi}	Propagation Delay through Transparent Latch to Output/Feedback Mux	-	0.50	-	0.50	-	0.50	-	0.50	ns
t _{SRI}	Asynchronous Reset or Set to Output/Feedback MUX Delay	-	1.50	-	2.00	-	3.00	-	3.90	ns
t _{SRR}	Asynchronous Reset or Set Recovery Delay	2.00	-	2.70	-	4.00	-	6.00	-	ns
Control Delays										
t _{BCLK}	GLB PT Clock Delay	-	2.00	-	2.40	-	2.80	-	3.20	ns
t _{PTCLK}	Macrocell PT Clock Delay	-	1.80	-	2.10	-	2.40	-	2.70	ns
t _{BSR}	Block PT Set/Reset Delay	-	1.50	-	1.70	-	1.90	-	2.10	ns
t _{PTSR}	Macrocell PT Set/Reset Delay	-	1.00	-	1.10	-	1.20	-	1.30	ns
t _{GPTOE}	Global PT OE Delay	-	2.30	-	2.80	-	2.90	-	2.80	ns
t _{PTOE}	Macrocell PT OE Delay	-	1.80	-	1.80	-	1.40	-	0.80	ns

Timing v.1.3

1. Internal Timing Parameters are not tested and are for reference only. Refer to Timing Model in this data sheet for further details.

ispMACH 5384B Internal Timing Parameters¹

Over Recommended Operating Conditions

Parameter	Description	-4		-5		-75		-10		Units
		Min.	Max.	Min.	Max.	Min.	Max.	Min.	Max.	
In/Out Delays										
t _{IN}	Input Buffer Delay	-	0.40	-	0.60	-	2.00	-	2.40	ns
t _{GCLK_IN}	Global Clock Input Buffer Delay	-	1.20	-	1.50	-	1.40	-	1.90	ns
t _{GOE}	Global OE Pin Delay	-	2.40	-	2.60	-	3.00	-	4.40	ns
t _{BUF}	Delay through Output Buffer	-	1.00	-	0.80	-	1.80	-	2.50	ns
t _{EN}	Output Enable Time	-	1.00	-	1.10	-	2.50	-	3.10	ns
t _{DIS}	Output Disable Time	-	1.00	-	1.10	-	2.50	-	3.10	ns
t _{RST}	Global Rest Pin Delay	-	1.30	-	2.20	-	2.70	-	3.60	ns
Routing Delays										
t _{ROUTE}	Delay through GRP	-	1.80	-	2.50	-	2.60	-	3.70	ns
t _{PTSA}	Product Term Sharing Array	-	1.40	-	2.10	-	2.60	-	3.40	ns
t _{PDb}	5-PT Bypass Propagation Delay	-	0.80	-	1.10	-	1.10	-	1.40	ns
t _{PDi}	Macrocell Propagation Delay	-	0.20	-	0.50	-	0.00	-	0.00	ns
t _{INREG}	Input Buffer to Macrocell Register Delay	-	2.40	-	3.10	-	2.20	-	3.60	ns
t _{FBK}	Internal Feedback Delay	-	0.00	-	0.00	-	0.00	-	0.00	ns
Register/Latch Delays										
t _S	D-Register Setup Time (Global Clock)	0.30	-	0.30	-	0.70	-	0.90	-	ns
t _{S_PT}	D-Register Setup Time (Product Term Clock)	0.30	-	0.20	-	0.70	-	0.90	-	ns
t _{SL_PT}	Latch Setup Time (Product Term Clock)	0.30	-	0.20	-	0.70	-	0.90	-	ns
t _H	D-Register Hold Time	1.80	-	2.70	-	4.30	-	5.60	-	ns
t _{COi}	Register Clock to Output/Feedback MUX Time	-	0.50	-	0.70	-	0.80	-	1.10	ns
t _{CES}	Clock Enable Setup Time	3.90	-	4.30	-	4.70	-	5.00	-	ns
t _{CEH}	Clock Enable Hold Time	0.30	-	0.40	-	0.50	-	0.60	-	ns
t _{SL}	Latch Setup Time	0.30	-	0.30	-	0.70	-	0.90	-	ns
t _{HL}	Latch Hold Time	1.80	-	2.70	-	4.30	-	5.60	-	ns
t _{GOi}	Latch Gate to Output/Feedback Mux Time	-	0.60	-	0.60	-	0.80	-	1.60	ns
t _{PDLi}	Propagation Delay through Transparent Latch to Output/Feedback Mux	-	0.50	-	0.50	-	0.50	-	0.50	ns
t _{SRI}	Asynchronous Reset or Set to Output/Feedback MUX Delay	-	1.50	-	2.00	-	3.00	-	3.90	ns
t _{SRR}	Asynchronous Reset or Set Recovery Delay	2.00	-	2.70	-	4.00	-	6.00	-	ns
Control Delays										
t _{BCLK}	GLB PT Clock Delay	-	2.00	-	2.40	-	2.80	-	3.20	ns
t _{PTCLK}	Macrocell PT Clock Delay	-	1.80	-	2.10	-	2.40	-	2.70	ns
t _{BSR}	Block PT Set/Reset Delay	-	1.50	-	1.70	-	1.90	-	2.10	ns
t _{PTSR}	Macrocell PT Set/Reset Delay	-	1.00	-	1.10	-	1.20	-	1.30	ns
t _{GPTOE}	Global PT OE Delay	-	2.30	-	2.80	-	2.90	-	2.80	ns
t _{PTOE}	Macrocell PT OE Delay	-	1.80	-	1.80	-	1.40	-	0.80	ns

Timing v.1.0

1. Internal Timing Parameters are not tested and are for reference only. Refer to Timing Model in this data sheet for further details.

ispMACH 5512B Internal Timing Parameters¹

Over Recommended Operating Conditions

Parameter	Description	-45		-75		-10		-12		Units
		Min.	Max.	Min.	Max.	Min.	Max.	Min.	Max.	
In/Out Delays										
t _{IN}	Input Buffer Delay	-	0.30	-	2.00	-	2.40	-	3.20	ns
t _{GCLK_IN}	Global Clock Input Buffer Delay	-	1.50	-	1.40	-	1.90	-	2.50	ns
t _{GOE}	Global OE Pin Delay	-	2.50	-	3.00	-	4.40	-	5.50	ns
t _{BUF}	Delay through Output Buffer	-	0.60	-	1.80	-	2.50	-	2.80	ns
t _{EN}	Output Enable Time	-	1.00	-	2.50	-	3.10	-	3.50	ns
t _{DIS}	Output Disable Time	-	1.00	-	2.50	-	3.10	-	3.50	ns
t _{RST}	Global Rest Pin Delay	-	1.90	-	2.70	-	3.60	-	4.90	ns
Routing Delays										
t _{ROUTE}	Delay through GRP	-	2.50	-	2.60	-	3.70	-	4.10	ns
t _{PTSA}	Product Term Sharing Array	-	1.70	-	2.60	-	3.40	-	4.90	ns
t _{PDb}	5-PT Bypass Propagation Delay	-	1.10	-	1.10	-	1.40	-	1.90	ns
t _{PDi}	Macrocell Propagation Delay	-	0.20	-	0.00	-	0.00	-	0.00	ns
t _{INREG}	Input Buffer to Macrocell Register Delay	-	2.80	-	2.20	-	3.60	-	4.00	ns
t _{FBK}	Internal Feedback Delay	-	0.00	-	0.00	-	0.00	-	0.00	ns
Register/Latch Delays										
t _S	D-Register Setup Time (Global Clock)	0.10	-	0.70	-	0.90	-	0.80	-	ns
t _{S_PT}	D-Register Setup Time (Product Term Clock)	0.10	-	0.70	-	0.90	-	1.40	-	ns
t _{SL_PT}	Latch Setup Time (Product Term Clock)	0.10	-	0.70	-	0.90	-	1.40	-	ns
t _H	D-Register Hold Time	2.40	-	4.30	-	5.60	-	6.70	-	ns
t _{COi}	Register Clock to Output/Feedback Mux Time	-	0.70	-	0.80	-	1.10	-	1.20	ns
t _{CES}	Clock Enable Setup Time	4.10	-	4.70	-	5.00	-	5.00	-	ns
t _{CEH}	Clock Enable Hold Time	0.30	-	0.50	-	0.60	-	0.60	-	ns
t _{SL}	Latch Setup Time	0.10	-	0.70	-	0.90	-	0.80	-	ns
t _{HL}	Latch Hold Time	2.40	-	4.30	-	5.60	-	5.60	-	ns
t _{GOi}	Latch Gate to Output/Feedback Mux Time	-	0.60	-	0.80	-	1.60	-	1.60	ns
t _{PDLi}	Propagation Delay through Transparent Latch to Output/Feedback Mux	-	0.50	-	0.50	-	0.50	-	0.50	ns
t _{SRI}	Asynchronous Reset or Set to Output/Feedback Mux Delay	-	1.70	-	3.00	-	3.90	-	4.30	ns
t _{SRR}	Asynchronous Reset or Set Recovery Delay	2.30	-	4.00	-	6.00	-	7.50	-	ns
Control Delays										
t _{BCLK}	GLB PT Clock Delay	-	2.20	-	2.80	-	3.20	-	3.60	ns
t _{PTCLK}	Macrocell PT Clock Delay	-	2.00	-	2.40	-	2.70	-	3.00	ns
t _{BSR}	Block PT Set/Reset Delay	-	1.60	-	1.90	-	2.10	-	2.30	ns
t _{PTSR}	Macrocell PT Set/Reset Delay	-	1.10	-	1.20	-	1.30	-	1.40	ns
t _{GPTOE}	Global PT OE Delay	-	2.50	-	2.90	-	2.80	-	4.20	ns
t _{PTOE}	Macrocell PT OE Delay	-	1.70	-	1.40	-	0.80	-	1.20	ns

Timing v.1.1

1. Internal Timing Parameters are not tested and are for reference only. Refer to Timing Model in this data sheet for further details.

ispMACH 5128B Timing Adders

Adder Type	Base Parameter	Description	-4		-5		-75		-10		Units
			Min.	Max.	Min.	Max.	Min.	Max.	Min.	Max.	
t_{LP}	t_{ROUTE}	Low Power Adder	-	1.00	-	1.00	-	1.00	-	1.00	ns
t_{IOI} Input Adders											
LVC MOS18_in	$t_{IN}, t_{GCLK_IN}, t_{RST}, t_{GOE}$	Using LVC MOS1.8 standard	-	0.40	-	0.40	-	0.40	-	0.40	ns
LVC MOS25_in	$t_{IN}, t_{GCLK_IN}, t_{RST}, t_{GOE}$	Using LVC MOS2.5 standard	-	0.00	-	0.00	-	0.00	-	0.00	ns
LVC MOS33_in	$t_{IN}, t_{GCLK_IN}, t_{RST}, t_{GOE}$	Using LVC MOS3.3 standard	-	0.20	-	0.20	-	0.20	-	0.20	ns
PCI_in	$t_{IN}, t_{GCLK_IN}, t_{RST}, t_{GOE}$	Using PCI standard	-	1.00	-	1.00	-	1.00	-	1.00	ns
AGP_1X_in	$t_{IN}, t_{GCLK_IN}, t_{RST}, t_{GOE}$	Using AGP-1X standard	-	1.00	-	1.00	-	1.00	-	1.00	ns
SSTL3_I_in	$t_{IN}, t_{GCLK_IN}, t_{RST}, t_{GOE}$	Using SSTL3_I standard	-	0.90	-	0.90	-	0.90	-	0.90	ns
SSTL3_II_in	$t_{IN}, t_{GCLK_IN}, t_{RST}, t_{GOE}$	Using SSTL3_II standard	-	0.90	-	0.90	-	0.90	-	0.90	ns
SSTL2_I_in	$t_{IN}, t_{GCLK_IN}, t_{RST}, t_{GOE}$	Using SSTL2_I standard	-	0.90	-	0.90	-	0.90	-	0.90	ns
SSTL2_II_in	$t_{IN}, t_{GCLK_IN}, t_{RST}, t_{GOE}$	Using SSTL2_II standard	-	0.90	-	0.90	-	0.90	-	0.90	ns
CTT33_in	$t_{IN}, t_{GCLK_IN}, t_{RST}, t_{GOE}$	Using CTT3.3 standard	-	0.90	-	0.90	-	0.90	-	0.90	ns
CTT25_in	$t_{IN}, t_{GCLK_IN}, t_{RST}, t_{GOE}$	Using CTT2.5 standard	-	0.90	-	0.90	-	0.90	-	0.90	ns
HSTL_I_in	$t_{IN}, t_{GCLK_IN}, t_{RST}, t_{GOE}$	Using HSTL_I standard	-	1.00	-	1.00	-	1.00	-	1.00	ns
HSTL_III_in	$t_{IN}, t_{GCLK_IN}, t_{RST}, t_{GOE}$	Using HSTL_III standard	-	1.00	-	1.00	-	1.00	-	1.00	ns
GTL+_in	$t_{IN}, t_{GCLK_IN}, t_{RST}, t_{GOE}$	Using GTL+ standard	-	1.00	-	1.00	-	1.00	-	1.00	ns
LVDS_in	t_{GCLK_IN}	Using LVDS standard	-	0.50	-	0.50	-	0.50	-	0.50	ns
LVPECL_D_in	t_{GCLK_IN}	Using LVDS differential standard	-	1.10	-	1.10	-	1.10	-	1.10	ns
t_{IDO} Output Adders											
Slow Slew	t_{EN}, t_{BUF}	Output configured for slow slew rate	-	1.50	-	1.50	-	1.50	-	1.50	ns
LVC MOS18_4mA_out	t_{EN}, t_{DIS}, t_{BUF}	Output configured as 1.8V & 4mA Buffer	-	0.80	-	0.80	-	0.80	-	0.80	ns
LVC MOS18_5mA_out	t_{EN}, t_{DIS}, t_{BUF}	Output configured as 1.8V & 5.33mA Buffer	-	0.50	-	0.50	-	0.50	-	0.50	ns
LVC MOS18_8mA_out	t_{EN}, t_{DIS}, t_{BUF}	Output configured as 1.8V & 8mA Buffer	-	0.10	-	0.10	-	0.10	-	0.10	ns
LVC MOS18_12mA_out	t_{EN}, t_{DIS}, t_{BUF}	Output configured as 1.8V & 12mA Buffer	-	-0.10	-	-0.10	-	-0.10	-	-0.10	ns
LVC MOS25_4mA_out	t_{EN}, t_{DIS}, t_{BUF}	Output configured as 2.5V & 4mA Buffer	-	0.50	-	0.50	-	0.50	-	0.50	ns
LVC MOS25_5mA_out	t_{EN}, t_{DIS}, t_{BUF}	Output configured as 2.5V & 5.33mA Buffer	-	0.20	-	0.20	-	0.20	-	0.20	ns

Note: Open drain timing is the same as corresponding LVC MOS timing.

Timing v.1.0

ispMACH 5128B Timing Adders (Cont.)

Adder Type	Base Parameter	Description	-4		-5		-75		-10		Units
			Min.	Max.	Min.	Max.	Min.	Max.	Min.	Max.	
LVC MOS25_8mA_out	t_{EN} , t_{DIS} , t_{BUF}	Output configured as 2.5V & 8mA Buffer	-	0.00	-	0.00	-	0.00	-	0.00	ns
LVC MOS25_12mA_out	t_{EN} , t_{DIS} , t_{BUF}	Output configured as 2.5V & 12mA Buffer	-	-0.10	-	-0.10	-	-0.10	-	-0.10	ns
LVC MOS25_16mA_out	t_{EN} , t_{DIS} , t_{BUF}	Output configured as 2.5V & 16mA Buffer	-	-0.20	-	-0.20	-	-0.20	-	-0.20	ns
LVC MOS33_4A_out	t_{EN} , t_{DIS} , t_{BUF}	Output configured as 3.3V & 4mA Buffer	-	0.80	-	0.80	-	0.80	-	0.80	ns
LVC MOS33_5mA_out	t_{EN} , t_{DIS} , t_{BUF}	Output configured as 3.3V & 5.33mA Buffer	-	0.20	-	0.20	-	0.20	-	0.20	ns
LVC MOS33_8mA_out	t_{EN} , t_{DIS} , t_{BUF}	Output configured as 3.3V & 8mA Buffer	-	0.00	-	0.00	-	0.00	-	0.00	ns
LVC MOS33_12mA_out	t_{EN} , t_{DIS} , t_{BUF}	Output configured as 3.3V & 12mA Buffer	-	-0.10	-	-0.10	-	-0.10	-	-0.10	ns
LVC MOS33_16mA_out	t_{EN} , t_{DIS} , t_{BUF}	Output configured as 3.3V & 16mA Buffer	-	-0.10	-	-0.10	-	-0.10	-	-0.10	ns
LVC MOS33_20mA_out	t_{EN} , t_{DIS} , t_{BUF}	Output configured as 3.3V & 20mA Buffer	-	-0.20	-	-0.20	-	-0.20	-	-0.20	ns
PCI_out	t_{EN} , t_{DIS} , t_{BUF}	Using PCI standard	-	-0.20	-	-0.20	-	-0.20	-	-0.20	ns
AGP_1X_out	t_{EN} , t_{DIS} , t_{BUF}	Using AGP-1X standard	-	-0.20	-	-0.20	-	-0.20	-	-0.20	ns
SSTL3_I_out	t_{EN} , t_{DIS} , t_{BUF}	Using SSTL3_I standard	-	0.50	-	0.50	-	0.50	-	0.50	ns
SSTL3_II_out	t_{EN} , t_{DIS} , t_{BUF}	Using SSTL3_II standard	-	0.10	-	0.10	-	0.10	-	0.10	ns
SSTL2_I_out	t_{EN} , t_{DIS} , t_{BUF}	Using SSTL2_I standard	-	0.50	-	0.50	-	0.50	-	0.50	ns
SSTL2_II_out	t_{EN} , t_{DIS} , t_{BUF}	Using SSTL2_II standard	-	-0.10	-	-0.10	-	-0.10	-	-0.10	ns
CTT33_out	t_{EN} , t_{DIS} , t_{BUF}	Using CCT3.3 standard	-	0.80	-	0.80	-	0.80	-	0.80	ns
CTT_25_out	t_{EN} , t_{DIS} , t_{BUF}	Using CCT2.5 standard	-	0.20	-	0.20	-	0.20	-	0.20	ns
HSTL_I_out	t_{EN} , t_{DIS} , t_{BUF}	Using HSTL_I standard	-	0.10	-	0.10	-	0.10	-	0.10	ns
HSTL_III_out	t_{EN} , t_{DIS} , t_{BUF}	Using HSTL_III standard	-	0.40	-	0.40	-	0.40	-	0.40	ns
GTL+_out	t_{EN} , t_{DIS} , t_{BUF}	Using GTL+ standard	-	2.00	-	2.00	-	2.00	-	2.00	ns
t_{IOI} Input Adders											
CLK0	t_{GCLK_IN}		-	0.00	-	0.00	-	0.00	-	0.00	ns
CLK1	t_{GCLK_IN}		-	0.20	-	0.20	-	0.20	-	0.20	ns
CLK2	t_{GCLK_IN}		-	0.20	-	0.20	-	0.20	-	0.20	ns
CLK3	t_{GCLK_IN}		-	0.20	-	0.20	-	0.20	-	0.20	ns

Note: Open drain timing is the same as corresponding LVCMOS timing.

Timing v.1.0

ispMACH 5128B Timing Adders (Cont).

Adder Type	Base Parameter	-4		-5		-75		-10		Units
		Min.	Max.	Min.	Max.	Min.	Max.	Min.	Max.	
t_{BLA} Additional Block Loading Adders										
1	t _{ROUTE}	-	0.10	-	0.10	-	0.10	-	0.10	ns
2	t _{ROUTE}	-	0.10	-	0.10	-	0.10	-	0.10	ns
3	t _{ROUTE}	-	0.20	-	0.20	-	0.20	-	0.20	ns

Note: Open drain timing is the same as corresponding LVCMOS timing.

Timing v.1.0

ispMACH 5256B Timing Adders

Adder Type	Base Parameter	Description	-4		-5		-75		-10		Units
			Min.	Max.	Min.	Max.	Min.	Max.	Min.	Max.	
t_{LP}	t_{ROUTE}	Low Power Adder	-	1.00	-	1.00	-	1.00	-	1.00	ns
t_{IOI} Input Adders											
LVC MOS18_in	$t_{IN}, t_{GCLK_IN}, t_{RST}, t_{GOE}$	Using LVC MOS1.8 standard	-	0.40	-	0.40	-	0.40	-	0.40	ns
LVC MOS25_in	$t_{IN}, t_{GCLK_IN}, t_{RST}, t_{GOE}$	Using LVC MOS2.5 standard	-	0.00	-	0.00	-	0.00	-	0.00	ns
LVC MOS33_in	$t_{IN}, t_{GCLK_IN}, t_{RST}, t_{GOE}$	Using LVC MOS3.3 standard	-	0.20	-	0.20	-	0.20	-	0.20	ns
PCI_in	$t_{IN}, t_{GCLK_IN}, t_{RST}, t_{GOE}$	Using PCI standard	-	1.00	-	1.00	-	1.00	-	1.00	ns
AGP_1X_in	$t_{IN}, t_{GCLK_IN}, t_{RST}, t_{GOE}$	Using AGP-1X standard	-	1.00	-	1.00	-	1.00	-	1.00	ns
SSTL3_I_in	$t_{IN}, t_{GCLK_IN}, t_{RST}, t_{GOE}$	Using SSTL3_I standard	-	0.90	-	0.90	-	0.90	-	0.90	ns
SSTL3_II_in	$t_{IN}, t_{GCLK_IN}, t_{RST}, t_{GOE}$	Using SSTL3_II standard	-	0.90	-	0.90	-	0.90	-	0.90	ns
SSTL2_I_in	$t_{IN}, t_{GCLK_IN}, t_{RST}, t_{GOE}$	Using SSTL2_I standard	-	0.90	-	0.90	-	0.90	-	0.90	ns
SSTL2_II_in	$t_{IN}, t_{GCLK_IN}, t_{RST}, t_{GOE}$	Using SSTL2_II standard	-	0.90	-	0.90	-	0.90	-	0.90	ns
CTT33_in	$t_{IN}, t_{GCLK_IN}, t_{RST}, t_{GOE}$	Using CTT3.3 standard	-	0.90	-	0.90	-	0.90	-	0.90	ns
CTT25_in	$t_{IN}, t_{GCLK_IN}, t_{RST}, t_{GOE}$	Using CTT2.5 standard	-	0.90	-	0.90	-	0.90	-	0.90	ns
HSTL_I_in	$t_{IN}, t_{GCLK_IN}, t_{RST}, t_{GOE}$	Using HSTL_I standard	-	1.00	-	1.00	-	1.00	-	1.00	ns
HSTL_III_in	$t_{IN}, t_{GCLK_IN}, t_{RST}, t_{GOE}$	Using HSTL_III standard	-	1.00	-	1.00	-	1.00	-	1.00	ns
GTL+_in	$t_{IN}, t_{GCLK_IN}, t_{RST}, t_{GOE}$	Using GTL+ standard	-	1.00	-	1.00	-	1.00	-	1.00	ns
LVDS_in	t_{GCLK_IN}	Using LVDS standard	-	0.50	-	0.50	-	0.50	-	0.50	ns
LVPECL_D_in	t_{GCLK_IN}	Using LVDS differential standard	-	1.10	-	1.10	-	1.10	-	1.10	ns
t_{IDO} Output Adders											
Slow Slew	t_{EN}, t_{BUF}	Output configured for slow slew rate	-	1.50	-	1.50	-	1.50	-	1.50	ns
LVC MOS18_4mA_out	t_{EN}, t_{DIS}, t_{BUF}	Output configured as 1.8V & 4mA Buffer	-	0.80	-	0.80	-	0.80	-	0.80	ns
LVC MOS18_5mA_out	t_{EN}, t_{DIS}, t_{BUF}	Output configured as 1.8V & 5.33mA Buffer	-	0.50	-	0.50	-	0.50	-	0.50	ns
LVC MOS18_8mA_out	t_{EN}, t_{DIS}, t_{BUF}	Output configured as 1.8V & 8mA Buffer	-	0.10	-	0.10	-	0.10	-	0.10	ns
LVC MOS18_12mA_out	t_{EN}, t_{DIS}, t_{BUF}	Output configured as 1.8V & 12mA Buffer	-	-0.10	-	-0.10	-	-0.10	-	-0.10	ns
LVC MOS25_4mA_out	t_{EN}, t_{DIS}, t_{BUF}	Output configured as 2.5V & 4mA Buffer	-	0.50	-	0.50	-	0.50	-	0.50	ns
LVC MOS25_5mA_out	t_{EN}, t_{DIS}, t_{BUF}	Output configured as 2.5V & 5.33mA Buffer	-	0.20	-	0.20	-	0.20	-	0.20	ns

Note: Open drain timing is the same as corresponding LVC MOS timing.

Timing v.1.3

ispMACH 5256B Timing Adders (Cont.)

Adder Type	Base Parameter	Description	-4		-5		-75		-10		Units
			Min.	Max.	Min.	Max.	Min.	Max.	Min.	Max.	
LVC MOS25_8mA_out	t_{EN} , t_{DIS} , t_{BUF}	Output configured as 2.5V & 8mA Buffer	-	0.00	-	0.00	-	0.00	-	0.00	ns
LVC MOS25_12mA_out	t_{EN} , t_{DIS} , t_{BUF}	Output configured as 2.5V & 12mA Buffer	-	-0.10	-	-0.10	-	-0.10	-	-0.10	ns
LVC MOS25_16mA_out	t_{EN} , t_{DIS} , t_{BUF}	Output configured as 2.5V & 16mA Buffer	-	-0.20	-	-0.20	-	-0.20	-	-0.20	ns
LVC MOS33_4A_out	t_{EN} , t_{DIS} , t_{BUF}	Output configured as 3.3V & 4mA Buffer	-	0.80	-	0.80	-	0.80	-	0.80	ns
LVC MOS33_5mA_out	t_{EN} , t_{DIS} , t_{BUF}	Output configured as 3.3V & 5.33mA Buffer	-	0.20	-	0.20	-	0.20	-	0.20	ns
LVC MOS33_8mA_out	t_{EN} , t_{DIS} , t_{BUF}	Output configured as 3.3V & 8mA Buffer	-	0.00	-	0.00	-	0.00	-	0.00	ns
LVC MOS33_12mA_out	t_{EN} , t_{DIS} , t_{BUF}	Output configured as 3.3V & 12mA Buffer	-	-0.10	-	-0.10	-	-0.10	-	-0.10	ns
LVC MOS33_16mA_out	t_{EN} , t_{DIS} , t_{BUF}	Output configured as 3.3V & 16mA Buffer	-	-0.10	-	-0.10	-	-0.10	-	-0.10	ns
LVC MOS33_20mA_out	t_{EN} , t_{DIS} , t_{BUF}	Output configured as 3.3V & 20mA Buffer	-	-0.20	-	-0.20	-	-0.20	-	-0.20	ns
PCI_out	t_{EN} , t_{DIS} , t_{BUF}	Using PCI standard	-	-0.20	-	-0.20	-	-0.20	-	-0.20	ns
AGP_1X_out	t_{EN} , t_{DIS} , t_{BUF}	Using AGP-1X standard	-	-0.20	-	-0.20	-	-0.20	-	-0.20	ns
SSTL3_I_out	t_{EN} , t_{DIS} , t_{BUF}	Using SSTL3_I standard	-	0.50	-	0.50	-	0.50	-	0.50	ns
SSTL3_II_out	t_{EN} , t_{DIS} , t_{BUF}	Using SSTL3_II standard	-	0.10	-	0.10	-	0.10	-	0.10	ns
SSTL2_I_out	t_{EN} , t_{DIS} , t_{BUF}	Using SSTL2_I standard	-	0.50	-	0.50	-	0.50	-	0.50	ns
SSTL2_II_out	t_{EN} , t_{DIS} , t_{BUF}	Using SSTL2_II standard	-	-0.10	-	-0.10	-	-0.10	-	-0.10	ns
CTT33_out	t_{EN} , t_{DIS} , t_{BUF}	Using CCT3.3 standard	-	0.80	-	0.80	-	0.80	-	0.80	ns
CTT_25_out	t_{EN} , t_{DIS} , t_{BUF}	Using CCT2.5 standard	-	0.20	-	0.20	-	0.20	-	0.20	ns
HSTL_I_out	t_{EN} , t_{DIS} , t_{BUF}	Using HSTL_I standard	-	0.10	-	0.10	-	0.10	-	0.10	ns
HSTL_III_out	t_{EN} , t_{DIS} , t_{BUF}	Using HSTL_III standard	-	0.40	-	0.40	-	0.40	-	0.40	ns
GTL+_out	t_{EN} , t_{DIS} , t_{BUF}	Using GTL+ standard	-	2.00	-	2.00	-	2.00	-	2.00	ns
t_{IOI} Input Adders											
CLK0	t_{GCLK_IN}		-	0.00	-	0.00	-	0.00	-	0.00	ns
CLK1	t_{GCLK_IN}		-	0.20	-	0.20	-	0.20	-	0.20	ns
CLK2	t_{GCLK_IN}		-	0.20	-	0.20	-	0.20	-	0.20	ns
CLK3	t_{GCLK_IN}		-	0.20	-	0.20	-	0.20	-	0.20	ns

Note: Open drain timing is the same as corresponding LVCMOS timing.

Timing v.1.3

ispMACH 5256B Timing Adders (Cont).

Adder Type	Base Parameter	-4		-5		-75		-10		Units
		Min.	Max.	Min.	Max.	Min.	Max.	Min.	Max.	
t_{BLA} Additional Block Loading Adders										
1	t _{ROUTE}	-	0.10	-	0.10	-	0.10	-	0.10	ns
2	t _{ROUTE}	-	0.20	-	0.20	-	0.20	-	0.20	ns
3	t _{ROUTE}	-	0.30	-	0.30	-	0.30	-	0.30	ns
4	t _{ROUTE}	-	0.40	-	0.40	-	0.40	-	0.40	ns
5	t _{ROUTE}	-	0.60	-	0.60	-	0.60	-	0.60	ns
6	t _{ROUTE}	-	0.60	-	0.60	-	0.60	-	0.60	ns
7	t _{ROUTE}	-	0.60	-	0.60	-	0.60	-	0.60	ns

Note: Open drain timing is the same as corresponding LVCMOS timing.

Timing v.1.3

ispMACH 5384B Timing Adders

Adder Type	Base Parameter	Description	-4		-5		-75		-10		Units
			Min.	Max.	Min.	Max.	Min.	Max.	Min.	Max.	
t_{LP}	t_{ROUTE}	Low Power Adder	-	1.00	-	1.00	-	1.00	-	1.00	ns
t_{IOI} Input Adders											
LVC MOS18_in	$t_{IN}, t_{GCLK_IN}, t_{RST}, t_{GOE}$	Using LVC MOS1.8 standard	-	0.40	-	0.40	-	0.40	-	0.40	ns
LVC MOS25_in	$t_{IN}, t_{GCLK_IN}, t_{RST}, t_{GOE}$	Using LVC MOS2.5 standard	-	0.00	-	0.00	-	0.00	-	0.00	ns
LVC MOS33_in	$t_{IN}, t_{GCLK_IN}, t_{RST}, t_{GOE}$	Using LVC MOS3.3 standard	-	0.20	-	0.20	-	0.20	-	0.20	ns
PCI_in	$t_{IN}, t_{GCLK_IN}, t_{RST}, t_{GOE}$	Using PCI standard	-	1.00	-	1.00	-	1.00	-	1.00	ns
AGP_1X_in	$t_{IN}, t_{GCLK_IN}, t_{RST}, t_{GOE}$	Using AGP-1X standard	-	1.00	-	1.00	-	1.00	-	1.00	ns
SSTL3_I_in	$t_{IN}, t_{GCLK_IN}, t_{RST}, t_{GOE}$	Using SSTL3_I standard	-	0.90	-	0.90	-	0.90	-	0.90	ns
SSTL3_II_in	$t_{IN}, t_{GCLK_IN}, t_{RST}, t_{GOE}$	Using SSTL3_II standard	-	0.90	-	0.90	-	0.90	-	0.90	ns
SSTL2_I_in	$t_{IN}, t_{GCLK_IN}, t_{RST}, t_{GOE}$	Using SSTL2_I standard	-	0.90	-	0.90	-	0.90	-	0.90	ns
SSTL2_II_in	$t_{IN}, t_{GCLK_IN}, t_{RST}, t_{GOE}$	Using SSTL2_II standard	-	0.90	-	0.90	-	0.90	-	0.90	ns
CTT33_in	$t_{IN}, t_{GCLK_IN}, t_{RST}, t_{GOE}$	Using CTT3.3 standard	-	0.90	-	0.90	-	0.90	-	0.90	ns
CTT25_in	$t_{IN}, t_{GCLK_IN}, t_{RST}, t_{GOE}$	Using CTT2.5 standard	-	0.90	-	0.90	-	0.90	-	0.90	ns
HSTL_I_in	$t_{IN}, t_{GCLK_IN}, t_{RST}, t_{GOE}$	Using HSTL_I standard	-	1.00	-	1.00	-	1.00	-	1.00	ns
HSTL_III_in	$t_{IN}, t_{GCLK_IN}, t_{RST}, t_{GOE}$	Using HSTL_III standard	-	1.00	-	1.00	-	1.00	-	1.00	ns
GTL+_in	$t_{IN}, t_{GCLK_IN}, t_{RST}, t_{GOE}$	Using GTL+ standard	-	1.00	-	1.00	-	1.00	-	1.00	ns
LVDS_in	t_{GCLK_IN}	Using LVDS standard	-	0.70	-	0.70	-	0.70	-	0.70	ns
LVPECL_D_in	t_{GCLK_IN}	Using LVDS differential standard	-	1.20	-	1.20	-	1.20	-	1.20	ns
t_{IDO} Output Adders											
Slow Slew	t_{EN}, t_{BUF}	Output configured for slow slew rate	-	1.50	-	1.50	-	1.50	-	1.50	ns
LVC MOS18_4mA_out	t_{EN}, t_{DIS}, t_{BUF}	Output configured as 1.8V & 4mA Buffer	-	0.80	-	0.80	-	0.80	-	0.80	
LVC MOS18_5mA_out	t_{EN}, t_{DIS}, t_{BUF}	Output configured as 1.8V & 5.33mA Buffer	-	0.50	-	0.50	-	0.50	-	0.50	ns
LVC MOS18_8mA_out	t_{EN}, t_{DIS}, t_{BUF}	Output configured as 1.8V & 8mA Buffer	-	0.10	-	0.10	-	0.10	-	0.10	ns
LVC MOS18_12mA_out	t_{EN}, t_{DIS}, t_{BUF}	Output configured as 1.8V & 12mA Buffer	-	-0.10	-	-0.10	-	-0.10	-	-0.10	ns
LVC MOS25_4mA_out	t_{EN}, t_{DIS}, t_{BUF}	Output configured as 2.5V & 4mA Buffer	-	0.50	-	0.50	-	0.50	-	0.50	ns
LVC MOS25_5mA_out	t_{EN}, t_{DIS}, t_{BUF}	Output configured as 2.5V & 5.33mA Buffer	-	0.20	-	0.20	-	0.20	-	0.20	ns

Note: Open drain timing is the same as corresponding LVC MOS timing.

Timing v.1.0

ispMACH 5384B Timing Adders (Cont.)

Adder Type	Base Parameter	Description	-4		-5		-75		-10		Units
			Min.	Max.	Min.	Max.	Min.	Max.	Min.	Max.	
LVC MOS25_8mA_out	t _{EN} , t _{DIS} , t _{BUF}	Output configured as 2.5V & 8mA Buffer	-	0.00	-	0.00	-	0.00	-	0.00	ns
LVC MOS25_12mA_out	t _{EN} , t _{DIS} , t _{BUF}	Output configured as 2.5V & 12mA Buffer	-	-0.10	-	-0.10	-	-0.10	-	-0.10	ns
LVC MOS25_16mA_out	t _{EN} , t _{DIS} , t _{BUF}	Output configured as 2.5V & 16mA Buffer	-	-0.20	-	-0.20	-	-0.20	-	-0.20	ns
LVC MOS33_4mA_out	t _{EN} , t _{DIS} , t _{BUF}	Output configured as 3.3V & 4mA Buffer	-	0.80	-	0.80	-	0.80	-	0.80	ns
LVC MOS33_5mA_out	t _{EN} , t _{DIS} , t _{BUF}	Output configured as 3.3V & 5.33mA Buffer	-	0.20	-	0.20	-	0.20	-	0.20	ns
LVC MOS33_8mA_out	t _{EN} , t _{DIS} , t _{BUF}	Output configured as 3.3V & 8mA Buffer	-	0.00	-	0.00	-	0.00	-	0.00	ns
LVC MOS33_12mA_out	t _{EN} , t _{DIS} , t _{BUF}	Output configured as 3.3V & 12mA Buffer	-	-0.10	-	-0.10	-	-0.10	-	-0.10	ns
LVC MOS33_16mA_out	t _{EN} , t _{DIS} , t _{BUF}	Output configured as 3.3V & 16mA Buffer	-	-0.10	-	-0.10	-	-0.10	-	-0.10	ns
LVC MOS33_20mA_out	t _{EN} , t _{DIS} , t _{BUF}	Output configured as 3.3V & 20mA Buffer	-	-0.20	-	-0.20	-	-0.20	-	-0.20	ns
PCI_out	t _{EN} , t _{DIS} , t _{BUF}	Using PCI standard	-	-0.20	-	-0.20	-	-0.20	-	-0.20	ns
AGP_1X_out	t _{EN} , t _{DIS} , t _{BUF}	Using AGP-1X standard	-	-0.20	-	-0.20	-	-0.20	-	-0.20	ns
SSTL3_I_out	t _{EN} , t _{DIS} , t _{BUF}	Using SSTL3_I standard	-	0.50	-	0.50	-	0.50	-	0.50	ns
SSTL3_II_out	t _{EN} , t _{DIS} , t _{BUF}	Using SSTL3_II standard	-	0.10	-	0.10	-	0.10	-	0.10	ns
SSTL2_I_out	t _{EN} , t _{DIS} , t _{BUF}	Using SSTL2_I standard	-	0.50	-	0.50	-	0.50	-	0.50	ns
SSTL2_II_out	t _{EN} , t _{DIS} , t _{BUF}	Using SSTL2_II standard	-	-0.10	-	-0.10	-	-0.10	-	-0.10	ns
CTT33_out	t _{EN} , t _{DIS} , t _{BUF}	Using CCT3.3 standard	-	0.80	-	0.80	-	0.80	-	0.80	ns
CTT_25_out	t _{EN} , t _{DIS} , t _{BUF}	Using CCT2.5 standard	-	0.20	-	0.20	-	0.20	-	0.20	ns
HSTL_I_out	t _{EN} , t _{DIS} , t _{BUF}	Using HSTL_I standard	-	0.10	-	0.10	-	0.10	-	0.10	ns
HSTL_III_out	t _{EN} , t _{DIS} , t _{BUF}	Using HSTL_III standard	-	0.40	-	0.40	-	0.40	-	0.40	ns
GTL+_out	t _{EN} , t _{DIS} , t _{BUF}	Using GTL+ standard	-	2.00	-	2.00	-	2.00	-	2.00	ns
t_{IOI} Input Adders											
CLK0	t _{GCLK_IN}		-	0.00	-	0.00	-	0.00	-	0.00	ns
CLK1	t _{GCLK_IN}		-	0.20	-	0.20	-	0.20	-	0.20	ns
CLK2	t _{GCLK_IN}		-	0.20	-	0.20	-	0.20	-	0.20	ns
CLK3	t _{GCLK_IN}		-	0.20	-	0.20	-	0.20	-	0.20	ns

Note: Open drain timing is the same as corresponding LVCMOS timing.

Timing v.1.0

ispMACH 5384B Timing Adders (Cont.)

Adder Type	Base Parameter	-4		-5		-75		-10		Units
		Min.	Max.	Min.	Max.	Min.	Max.	Min.	Max.	
t_{BLA} Additional Block Loading Adders										
1	t _{ROUTE}	-	0.20	-	0.20	-	0.20	-	0.20	ns
2	t _{ROUTE}	-	0.40	-	0.40	-	0.40	-	0.40	ns
3	t _{ROUTE}	-	0.60	-	0.60	-	0.60	-	0.60	ns
4	t _{ROUTE}	-	0.80	-	0.80	-	0.80	-	0.80	ns
5	t _{ROUTE}	-	1.00	-	1.00	-	1.00	-	1.00	ns
6	t _{ROUTE}	-	1.10	-	1.10	-	1.10	-	1.10	ns
7	t _{ROUTE}	-	1.20	-	1.20	-	1.20	-	1.20	ns
8	t _{ROUTE}	-	1.20	-	1.20	-	1.20	-	1.20	ns
9	t _{ROUTE}	-	1.20	-	1.20	-	1.20	-	1.20	ns
10	t _{ROUTE}	-	1.20	-	1.20	-	1.20	-	1.20	ns
11	t _{ROUTE}	-	1.20	-	1.20	-	1.20	-	1.20	ns

Note: Open drain timing is the same as corresponding LVCMOS timing.

Timing v.1.0

ispMACH 5512B Timing Adders

Adder Type	Base Parameter	Description	-45		-75		-10		-12		Units
			Min.	Max.	Min.	Max.	Min.	Max.	Min.	Max.	
t_{LP}	t_{ROUTE}	Low Power Adder	-	1.00	-	1.00	-	1.00	-	1.00	ns
t_{IOI} Input Adders											
LVC MOS18_in	$t_{IN}, t_{GCLK_IN}, t_{RST}, t_{GOE}$	Using LVC MOS1.8 standard	-	0.30	-	0.30	-	0.30	-	0.30	ns
LVC MOS25_in	$t_{IN}, t_{GCLK_IN}, t_{RST}, t_{GOE}$	Using LVC MOS2.5 standard	-	0.00	-	0.00	-	0.00	-	0.00	ns
LVC MOS33_in	$t_{IN}, t_{GCLK_IN}, t_{RST}, t_{GOE}$	Using LVC MOS3.3 standard	-	0.20	-	0.20	-	0.20	-	0.20	ns
PCI_in	$t_{IN}, t_{GCLK_IN}, t_{RST}, t_{GOE}$	Using PCI standard	-	1.00	-	1.00	-	1.00	-	1.00	ns
AGP_1X_in	$t_{IN}, t_{GCLK_IN}, t_{RST}, t_{GOE}$	Using AGP-1X standard	-	1.00	-	1.00	-	1.00	-	1.00	ns
SSTL3_I_in	$t_{IN}, t_{GCLK_IN}, t_{RST}, t_{GOE}$	Using SSTL3_I standard	-	0.90	-	0.90	-	0.90	-	0.90	ns
SSTL3_II_in	$t_{IN}, t_{GCLK_IN}, t_{RST}, t_{GOE}$	Using SSTL3_II standard	-	0.90	-	0.90	-	0.90	-	0.90	ns
SSTL2_I_in	$t_{IN}, t_{GCLK_IN}, t_{RST}, t_{GOE}$	Using SSTL2_I standard	-	0.90	-	0.90	-	0.90	-	0.90	ns
SSTL2_II_in	$t_{IN}, t_{GCLK_IN}, t_{RST}, t_{GOE}$	Using SSTL2_II standard	-	0.90	-	0.90	-	0.90	-	0.90	ns
CTT33_in	$t_{IN}, t_{GCLK_IN}, t_{RST}, t_{GOE}$	Using CTT3.3 standard	-	0.90	-	0.90	-	0.90	-	0.90	ns
CTT25_in	$t_{IN}, t_{GCLK_IN}, t_{RST}, t_{GOE}$	Using CTT2.5 standard	-	0.90	-	0.90	-	0.90	-	0.90	ns
HSTL_I_in	$t_{IN}, t_{GCLK_IN}, t_{RST}, t_{GOE}$	Using HSTL_I standard	-	1.00	-	1.00	-	1.00	-	1.00	ns
HSTL_III_in	$t_{IN}, t_{GCLK_IN}, t_{RST}, t_{GOE}$	Using HSTL_III standard	-	1.00	-	1.00	-	1.00	-	1.00	ns
GTL+_in	$t_{IN}, t_{GCLK_IN}, t_{RST}, t_{GOE}$	Using GTL+ standard	-	1.00	-	1.00	-	1.00	-	1.00	ns
LVDS_in	t_{GCLK_IN}	Using LVDS standard	-	1.00	-	1.00	-	1.00	-	1.00	ns
LVPECL_D_in	t_{GCLK_IN}	Using LVDS differential standard	-	1.50	-	1.50	-	1.50	-	1.50	ns
t_{IOO} Output Adders											
Slow Slew	t_{EN}, t_{BUF}	Output configured for slow slew rate	-	1.50	-	1.50	-	1.50	-	1.50	ns
LVC MOS18_4mA_out	t_{EN}, t_{DIS}, t_{BUF}	Output configured as 1.8V & 4mA Buffer	-	0.80	-	0.80	-	0.80	-	0.80	ns
LVC MOS18_5mA_out	t_{EN}, t_{DIS}, t_{BUF}	Output configured as 1.8V & 5.33mA Buffer	-	0.50	-	0.50	-	0.50	-	0.50	ns
LVC MOS18_8mA_out	t_{EN}, t_{DIS}, t_{BUF}	Output configured as 1.8V & 8mA Buffer	-	0.10	-	0.10	-	0.10	-	0.10	ns
LVC MOS18_12mA_out	t_{EN}, t_{DIS}, t_{BUF}	Output configured as 1.8V & 12mA Buffer	-	-0.10	-	-0.10	-	-0.10	-	-0.10	ns
LVC MOS25_4mA_out	t_{EN}, t_{DIS}, t_{BUF}	Output configured as 2.5V & 4mA Buffer	-	0.50	-	0.50	-	0.50	-	0.50	ns
LVC MOS25_5mA_out	t_{EN}, t_{DIS}, t_{BUF}	Output configured as 2.5V & 5.33mA Buffer	-	0.20	-	0.20	-	0.20	-	0.20	ns

Note: Open drain timing is the same as corresponding LVC MOS timing.

Timing v.1.1

ispMACH 5512B Timing Adders (Cont.)

Adder Type	Base Parameter	Description	-45		-75		-10		-12		Units
			Min.	Max.	Min.	Max.	Min.	Max.	Min.	Max.	
LVC MOS25_8mA_out	t_{EN} , t_{DIS} , t_{BUF}	Output configured as 2.5V & 8mA Buffer	-	0.00	-	0.00	-	0.00	-	0.00	ns
LVC MOS25_12mA_out	t_{EN} , t_{DIS} , t_{BUF}	Output configured as 2.5V & 12mA Buffer	-	-0.10	-	-0.10	-	-0.10	-	-0.10	ns
LVC MOS25_16mA_out	t_{EN} , t_{DIS} , t_{BUF}	Output configured as 2.5V & 16mA Buffer	-	-0.20	-	-0.20	-	-0.20	-	-0.20	ns
LVC MOS33_4mA_out	t_{EN} , t_{DIS} , t_{BUF}	Output configured as 3.3V & 4mA Buffer	-	0.80	-	0.80	-	0.80	-	0.80	ns
LVC MOS33_5mA_out	t_{EN} , t_{DIS} , t_{BUF}	Output configured as 3.3V & 5.33mA Buffer	-	0.20	-	0.20	-	0.20	-	0.20	ns
LVC MOS33_8mA_out	t_{EN} , t_{DIS} , t_{BUF}	Output configured as 3.3V & 8mA Buffer	-	0.00	-	0.00	-	0.00	-	0.00	ns
LVC MOS33_12mA_out	t_{EN} , t_{DIS} , t_{BUF}	Output configured as 3.3V & 12mA Buffer	-	-0.10	-	-0.10	-	-0.10	-	-0.10	ns
LVC MOS33_16mA_out	t_{EN} , t_{DIS} , t_{BUF}	Output configured as 3.3V & 16mA Buffer	-	-0.10	-	-0.10	-	-0.10	-	-0.10	ns
LVC MOS33_20mA_out	t_{EN} , t_{DIS} , t_{BUF}	Output configured as 3.3V & 20mA Buffer	-	-0.20	-	-0.20	-	-0.20	-	-0.20	ns
PCI_out	t_{EN} , t_{DIS} , t_{BUF}	Using PCI standard	-	-0.20	-	-0.20	-	-0.20	-	-0.20	ns
AGP_1X_out	t_{EN} , t_{DIS} , t_{BUF}	Using AGP-1X standard	-	-0.20	-	-0.20	-	-0.20	-	-0.20	ns
SSTL3_I_out	t_{EN} , t_{DIS} , t_{BUF}	Using SSTL3_I standard	-	0.50	-	0.50	-	0.50	-	0.50	ns
SSTL3_II_out	t_{EN} , t_{DIS} , t_{BUF}	Using SSTL3_II standard	-	0.10	-	0.10	-	0.10	-	0.10	ns
SSTL2_I_out	t_{EN} , t_{DIS} , t_{BUF}	Using SSTL2_I standard	-	0.50	-	0.50	-	0.50	-	0.50	ns
SSTL2_II_out	t_{EN} , t_{DIS} , t_{BUF}	Using SSTL2_II standard	-	-0.10	-	-0.10	-	-0.10	-	-0.10	ns
CTT33_out	t_{EN} , t_{DIS} , t_{BUF}	Using CCT3.3 standard	-	0.80	-	0.80	-	0.80	-	0.80	ns
CTT_25_out	t_{EN} , t_{DIS} , t_{BUF}	Using CCT2.5 standard	-	0.20	-	0.20	-	0.20	-	0.20	ns
HSTL_I_out	t_{EN} , t_{DIS} , t_{BUF}	Using HSTL_I standard	-	0.10	-	0.10	-	0.10	-	0.10	ns
HSTL_III_out	t_{EN} , t_{DIS} , t_{BUF}	Using HSTL_III standard	-	0.50	-	0.50	-	0.50	-	0.50	ns
GTL+_out	t_{EN} , t_{DIS} , t_{BUF}	Using GTL+ standard	-	2.00	-	2.00	-	2.00	-	2.00	ns

Note: Open drain timing is the same as corresponding LVCMOS timing.

Timing v.1.1

ispMACH 5512B Timing Adders (Cont.)

Adder Type	Base Parameter	-45		-75		-10		-12		Units
		Min.	Max.	Min.	Max.	Min.	Max.	Min.	Max.	
t_{IOI} Input Adders										
CLK0	t _{GCLK_IN}	-	0.00	-	0.00	-	0.00	-	0.00	ns
CLK1	t _{GCLK_IN}	-	0.20	-	0.20	-	0.20	-	0.20	ns
CLK2	t _{GCLK_IN}	-	0.20	-	0.20	-	0.20	-	0.20	ns
CLK3	t _{GCLK_IN}	-	0.20	-	0.20	-	0.20	-	0.20	ns
t_{BLA} Additional Block Loading Adders										
1	t _{ROUTE}	-	0.30	-	0.30	-	0.30	-	0.30	ns
2	t _{ROUTE}	-	0.70	-	0.70	-	0.70	-	0.70	ns
3	t _{ROUTE}	-	0.90	-	0.90	-	0.90	-	0.90	ns
4	t _{ROUTE}	-	1.10	-	1.10	-	1.10	-	1.10	ns
5	t _{ROUTE}	-	1.20	-	1.20	-	1.20	-	1.20	ns
6	t _{ROUTE}	-	1.30	-	1.30	-	1.30	-	1.30	ns
7	t _{ROUTE}	-	1.50	-	1.50	-	1.50	-	1.50	ns
8	t _{ROUTE}	-	1.60	-	1.60	-	1.60	-	1.60	ns
9	t _{ROUTE}	-	1.80	-	1.80	-	1.80	-	1.80	ns
10	t _{ROUTE}	-	1.90	-	1.90	-	1.90	-	1.90	ns
11	t _{ROUTE}	-	2.10	-	2.10	-	2.10	-	2.10	ns
12	t _{ROUTE}	-	2.40	-	2.40	-	2.40	-	2.40	ns
13	t _{ROUTE}	-	2.60	-	2.60	-	2.60	-	2.60	ns
14	t _{ROUTE}	-	2.90	-	2.90	-	2.90	-	2.90	ns
15	t _{ROUTE}	-	3.00	-	3.00	-	3.00	-	3.00	ns

Note: Open drain timing is the same as corresponding LVCMOS timing.

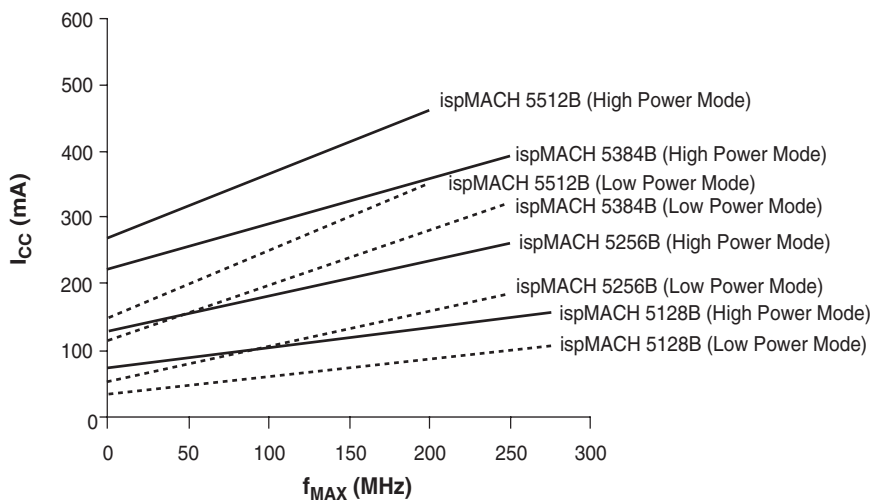
Timing v.1.1

Boundary Scan Timing Specifications

Symbol	Parameter	Min.	Max.	Units
t _{BTCP}	TCK [BSCAN test] clock pulse width	125	—	ns
t _{BTCH}	TCK [BSCAN test] pulse width high	62.5	—	ns
t _{BTCL}	TCK [BSCAN test] pulse width low	62.5	—	ns
t _{BTSU}	TCK [BSCAN test] setup time	25	—	ns
t _{BTH}	TCK [BSCAN test] hold time	25	—	ns
t _{BRF}	TCK [BSCAN test] rise and fall time	50	—	mV/ns
t _{BTCO}	TAP controller falling edge of clock to valid output	—	25	ns
t _{BTZO}	TAP controller falling edge of clock to data output disable	—	25	ns
t _{BTVO}	TAP controller falling edge of clock to data output enable	—	25	ns
t _{BVTCPSU}	BSCAN test Capture register setup time	25	—	ns
t _{BTCPH}	BSCAN test Capture register hold time	25	—	ns
t _{BTUCO}	BSCAN test Update reg, falling edge of clock to valid output	—	50	ns
t _{BTUOZ}	BSCAN test Update reg, falling edge of clock to output disable	—	50	ns
t _{BTUOV}	BSCAN test Update reg, falling edge of clock to output enable	—	50	ns

Power Consumption

ispMACH 5000B Typical I_{CC} vs. Frequency



Note: The devices are configured with maximum number of 16-bit counters, typical current at 2.5V, 25°C.

Power Estimation Coefficients

Device	K0	K1	K2	K3	K4	I _{DC} (mA)	I _{Dco} (mA)
ispMACH 5128B	0.0055	0.0055	0.005	0.273	0.091	10.6	1.2
ispMACH 5256B	0.0055	0.0055	0.005	0.2215	0.075	10.5	1.2
ispMACH 5384B	0.0055	0.0055	0.0065	0.2215	0.075	18.4	1.2
ispMACH 5512B	0.0055	0.0055	0.008	0.2215	0.075	22.9	1.2

Note: For further information about the use of these coefficients, refer to Lattice technical note number TN1023, *Power Estimation in ispMACH 5000B Devices*.

The device power, I_{DEVICE}, is calculated from the following equation:

$$I_{DEVICE} = I_{DEVICE-AC} + I_{DEVICE-DC}$$

Each term in I_{DEVICE} is further defined as:

$$I_{DEVICE-AC} = F_{AVE} [(K0 * PT_{HP}) + (K1 * PT_{LP}) + K2 * GRP_{LINES}]$$

$$I_{DEVICE-DC} = K3 * PT_{HP} + K4 * PT_{LP} + I_{DC} + I_{Dco}$$

where:

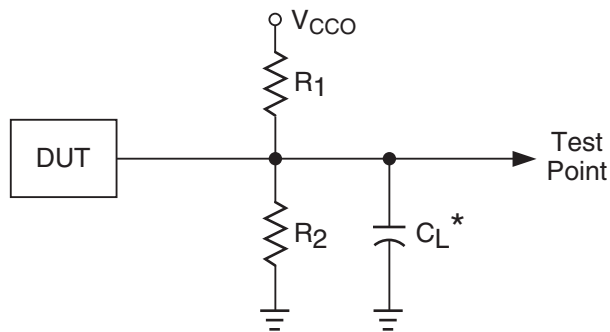
- PT_{HP} = Number of product terms in high power
- PT_{LP} = Number of product terms in low power
- F_{AVE} = Average output frequency of switching product terms in MHz
- K0 = average current per product term in high power/MHz
- K1 = average current per product term in low power/MHz
- K2 = average current per GRP line/MHz
- K3 = DC current per product term in high power
- K4 = DC current per product term in low power
- I_{DC} = Static Device Current
- I_{Dco} = Static I/O Bank Current

I_{CC} estimates are based on typical conditions (V_{CC} = 2.5V, 25°C). These values are for estimates only. Since the value of I_{CC} is sensitive to operating conditions and the program in the device, the actual I_{CC} should be verified.

Switching Test Conditions

Figure 9 shows the output test load that is used for AC testing. The specific values for resistance, capacitance, voltage, and other test conditions are shown in Table 3.

Figure 9. Output Test Load, LVTTTL and LVCMOS Standards



* C_L includes Test Fixture and Probe Capacitance.

0213A/ispm5kb

Table 3. Test Fixture Required Components

Test Condition	R_1	R_2	C_L	Timing Ref.	V_{CCO}
Default LVCMOS 2.5 I/O (L -> H, H -> L)	188	188	35pF	$V_{CCO}/2$	2.3V
Other LVCMOS Settings (L -> H, H -> L)	∞	∞	35pF	LVCMOS 3.3 = 1.5V	LVCMOS 3.3 = 3.0V
				LVCMOS 2.5 = $V_{CCO}/2$	LVCMOS 2.5 = 2.3V
				LVCMOS 1.8 = $V_{CCO}/2$	LVCMOS 1.8 = 1.65V
Default LVCMOS 2.5 I/O (Z -> H)	∞	188	35pF	$V_{CCO}/2$	2.3V
Default LVCMOS 2.5 I/O (Z -> L)	188	∞	35pF	$V_{CCO}/2$	2.3V
Default LVCMOS 2.5 I/O (H -> Z)	∞	188	5pF	$V_{OH} - 0.15$	2.3V
Default LVCMOS 2.5 I/O (L -> Z)	188	∞	5pF	$V_{OL} + 0.15$	2.3V

Output test conditions for all other interfaces are determined by the respective standards.

Signal Descriptions

Signal Names	Description
TMS	Input - This pin is the Test Mode Select input, which is used to control the IEEE 1149.1 state machine.
TCK	Input - This pin is the Test Clock input pin, used to clock the IEEE 1149.1 state machine.
TDI	Input - This pin is the IEEE 1149.1 Test Data In pin, used to load data.
TDO	Output - This pin is the IEEE 1149.1 Test Data Out pin used to shift data out.
TOE	Input - Test Output Enable pin. TOE tristates all I/O pins when a logic low is driven.
GOE0, GOE1	Input - These two pins are the Global Output Enable input pins.
RESETB	Dedicated Reset Input - This pin resets all registers in the devices. The global polarity (active high or low input) for this pin is selectable.
yzz	Input/Output – These are the general purpose I/O used by the logic array. y is the GLB reference (alpha) and z is the macrocell reference (numeric). z: 0-31
	ispMACH 5128B y: A-D, z: 0-31
	ispMACH 5256B y: A-H, z: 0-31
	ispMACH 5384B y: A-L, z: 0-31
ispMACH 5512B y: A-P, z: 0-31	
GND	Ground
NC	No connect
V _{CC}	V _{CC} - These are the power supply pins for the logic core.
GCLK0, GCLK1, GCLK2, GCLK3	Inputs - These pins are dedicated CLK inputs.
V _{REF0} , V _{REF1} , V _{REF2} , V _{REF3}	Inputs - These are the reference supplies for the I/O banks.
V _{CC00} , V _{CC01} , V _{CC02} , V _{CC03}	V _{CC} - These are the V _{CC} supplies for each I/O bank.

ispMACH 5000B Power Supply and NC Connections

Signal	128-Pin TQFP ^{1,2}	208-Pin PQFP ^{1,2}	256-Ball fpBGA ³	484-Ball fpBGA ³
VCC	13, 45, 77, 109	11, 48, 74, 115, 152, 178	F8, F9, H6, H11, J6, J11, L8, L9	B2, B6, B17, B21, C9, C14, E5, E18, F2, F21, J3, J20, P3, P20, U2, U21, Y9, Y14, AA2, AA6, AA17, AA21
VCCO0	5, 120	5256B: 18, 189, 203 5384B/5512B: 7, 18, 189, 203	C3, C7, G3	B5, D7, E2, E6, E9, F5, G4, J5
VCCO1	28, 41	41, 56, 70	K3, P3, P7	P5, U5, V6, V9, Y3,
VCCO2	56, 69	5256B: 85, 99, 122 5384B/5512B: 85, 99, 109, 122	K14, P10, P14	P18, U18, V14, V17, Y20,
VCCO3	92, 105	145, 160, 174	C10, C14, G14	B18, D16, E14, E17, E21, F18, G19, J18
VREF0	124	193	E7	A9
VREF1	37	66	M7	AA10
VREF2	61	90	R13	AA13
VREF3	100	169	A8	A15
GND	6, 20, 27, 40, 52, 57, 70, 84, 91, 104, 116, 121	5256B: 19, 20, 39, 40, 55, 69, 81, 86, 100, 123, 124, 143, 144, 159, 173, 185, 190, 204 5384B/5512B: 8, 19, 20, 39, 40, 55, 69, 81, 86, 100, 110, 123, 124, 143, 144, 159, 173, 185, 190, 204	A1, C5, C12, E3, E14, G7, G8, G9, G10, H8, H9, H10, J7, J8, J9, K7, K8, K9, K10, M3, M14, P5, P12	A1, A22, C3, C20, D4, D19, E7, E16, G5, G7, G8, G9, G10, G11, G12, G13, G14, G15, G16, G18, H7, H8, H9, H10, H11, H12, H13, H14, H15, H16, J7, J8, J9, J10, J11, J12, J13, J14, J15, J16, K7, K8, K9, K10, K11, K12, K13, K14, K15, K16, L8, L9, L10, L11, L12, L13, L14, L15, M7, M8, M9, M10, M11, M12, M13, M14, M15, M16, N7, N8, N9, N10, N11, N12, N13, N14, N15, N16, P7, P8, P9, P10, P11, P12, P13, P14, P15, P16, R7, R8, R9, R10, R11, R12, R13, R14, R15, R16, T4, T7, T8, T9, T10, T11, T12, T13, T14, T15, T16, T19, W7, W16, AB1, AB22
NC ⁴	5128B: 45, 52, 109, 116	5256B: 1, 2, 7, 8, 101, 102, 103, 104, 105, 106, 109, 110, 205, 206, 207, 208	5256B: A11, A12, A13, A14, B1, B2, B11, B12, B13, B16, C1, C2, C13, C15, C16, D14, D15, D16, E13, E15, F6, F7, F10, F11, G6, G11, H1, H7, H16, J1, J10, K6, K11, L5, L6, L7, L10, L11, M4, N2, N3, N4, N5, P1, P2, P4, P6, P15, P16, R4, R5, R6, R15, R16, T4, T5, T6 5384B: A11, A12, A13, B13, C13, H1, H7, H16, J1, J10, P6, R5, R6, T5, T6 5512B: H1, H7, H16, J1, J10	5512B: A6, A7, A8, A19, A20, A21, B7, B8, B19, B20, B22, C7, C8, C10, C16, C17, D9, D15, D18, E3, E10, F1, F3, F4, F9, F10, F16, F17, F19, F20, G1, G2, G3, G6, G17, G20, G21, G22, H1, H2, H5, H6, H17, H18, H19, H20, H21, H22, L6, L7, L16, N18, P4, AA1

1. All grounds must be electrically connected at the board level.

2. Not all grounds internally connected within the device. Pin orientation follows the conventional order from pin 1 marking of the top side view and counter-clockwise.

3. Balls for ground (GND), VCC and VCCO signals are connected within the substrate. Pin orientation A1 starts from the upper left corner of the top side view with alphabetical order ascending vertically and numerical order ascending horizontally.

4. No connects should not be connected to any active signals, VCC, VCCO, or GND.

ispMACH 5128B, 5256B Logic Signal Connections: 128 TQFP

Pin Number	Bank Number	ispMACH 5128B	ispMACH 5256B
		GLB/MC/Pad	GLB/MC/Pad
1	0	D12	H16
2	0	D10	H14
3	0	D9	H12
4	0	D8	H10
5	0	VCCO (Bank 0)	VCCO (Bank 0)
6	0	GND (Bank 0)	GND (Bank 0)
7	0	D6	H8
8	0	D5	H6
9	0	D4	H5
10	0	D2	H4
11	0	D1	H2
12	0	D0	H0
13	-	VCC	VCC
14	0	GCLK0	GCLK0
15	1	GCLK1	GCLK1
16	-	TDI	TDI
17	-	TMS	TMS
18	-	TCK	TCK
19	-	TDO	TDO
20	-	GND	GND
21	1	A0	A0
22	1	A1	A2
23	1	A2	A4
24	1	A4	A5
25	1	A5	A6
26	1	A6	A8
27	1	GND (Bank 1)	GND (Bank 1)
28	1	VCCO (Bank 1)	VCCO (Bank 1)
29	1	A8	A10
30	1	A9	A12
31	1	A10	A14
32	1	A12	A16
33	1	A14	A20
34	1	A16	B10
35	1	A17	B12
36	1	A18	B14
37	1	A20/VREF1	B16/VREF1
38	1	A21	B18
39	1	A22	B20
40	1	GND (Bank 1)	GND (Bank 1)
41	1	VCCO (Bank 1)	VCCO (Bank 1)

ispMACH 5128B, 5256B Logic Signal Connections: 128 TQFP (Cont.)

Pin Number	Bank Number	ispMACH 5128B	ispMACH 5256B
		GLB/MC/Pad	GLB/MC/Pad
42	1	A24	B21
43	1	A25	B22
44	1	A26	B24
45	-	NC	VCC
46	1	A28	B26
47	1	A29	B28
48	1	A30	B30
49	2	B0	C0
50	2	B1	C2
51	2	B2	C4
52	-	NC	GND
53	2	B4	C5
54	2	B5	C6
55	2	B6	C8
56	2	VCCO (Bank 2)	VCCO (Bank 2)
57	2	GND (Bank 2)	GND (Bank 2)
58	2	B8	C10
59	2	B9	C12
60	2	B10	C14
61	2	B12/VREF2	C16/VREF2
62	2	B13	C18
63	2	B14	C20
64	2	B16	D10
65	2	B18	D14
66	2	B20	D16
67	2	B21	D18
68	2	B22	D20
69	2	VCCO (Bank 2)	VCCO (Bank 2)
70	2	GND (Bank 2)	GND (Bank 2)
71	2	B24	D21
72	2	B25	D22
73	2	B26	D24
74	2	B28	D26
75	2	B29	D28
76	2	B30	D30
77	-	VCC	VCC
78	-	TOE	TOE
79	2	RESETB	RESETB
80	2	GOE0	GOE0
81	2	GOE1	GOE1
82	2	GCLK2	GCLK2
83	3	GCLK3	GCLK3
84	-	GND	GND

ispMACH 5128B, 5256B Logic Signal Connections: 128 TQFP (Cont.)

Pin Number	Bank Number	ispMACH 5128B	ispMACH 5256B
		GLB/MC/Pad	GLB/MC/Pad
85	3	C30	E30
86	3	C29	E28
87	3	C28	E26
88	3	C26	E24
89	3	C25	E22
90	3	C24	E21
91	3	GND (Bank 3)	GND (Bank 3)
92	3	VCCO (Bank 3)	VCCO (Bank 3)
93	3	C22	E20
94	3	C21	E18
95	3	C20	E16
96	3	C18	E14
97	3	C16	E10
98	3	C14	F20
99	3	C13	F18
100	3	C12/VREF3	F16/VREF3
101	3	C10	F14
102	3	C9	F12
103	3	C8	F10
104	3	GND (Bank 3)	GND (Bank 3)
105	3	VCCO (Bank 3)	VCCO (Bank 3)
106	3	C6	F8
107	3	C5	F6
108	3	C4	F5
109	-	NC	VCC
110	3	C2	F4
111	3	C1	F2
112	3	C0	F0
113	0	D30	G30
114	0	D29	G28
115	0	D28	G26
116	-	NC	GND
117	0	D26	G24
118	0	D25	G22
119	0	D24	G21
120	0	VCCO (Bank 0)	VCCO (Bank 0)
121	0	GND (Bank 0)	GND (Bank 0)
122	0	D22	G20
123	0	D21	G18
124	0	D20/VREF0	G16/VREF0
125	0	D18	G14
126	0	D17	G12

ispMACH 5128B, 5256B Logic Signal Connections: 128 TQFP (Cont.)

Pin Number	Bank Number	ispMACH 5128B	ispMACH 5256B
		GLB/MC/Pad	GLB/MC/Pad
127	0	D16	G10
128	0	D14	H20

ispMACH 5256B, 5384B, 5512B Logic Signal Connections: 208 PQFP

Pin Number	Bank Number	ispMACH 5256B	ispMACH 5384B	ispMACH 5512B
		GLB/MC/Pad	GLB/MC/Pad	GLB/MC/Pad
1	0	NC	K14	O30
2	0	NC	K12	O28
3	0	H30	K10	O26
4	0	H28	K8	O24
5	0	H26	K6	O22
6	0	H24	K4	O20
7	0	NC	VCCO (Bank 0)	VCCO (Bank 0)
8	0	NC	GND (Bank 0)	GND (Bank 0)
9	0	H22	K2	O18
10	0	H21	K0	O16
11	-	VCC	VCC	VCC
12	0	H20	L22	P22
13	0	H18	L20	P20
14	0	H16	L18	P18
15	0	H14	L16	P16
16	0	H12	L14	P14
17	0	H10	L12	P12
18	0	VCC (Bank 0)	VCCO (Bank 0)	VCCO (Bank 0)
19	-	GND	GND	GND
20	0	GND (Bank 0)	GND (Bank 0)	GND (Bank 0)
21	0	H8	L10	P10
22	0	H6	L8	P8
23	0	H5	L6	P6
24	0	H4	L4	P4
25	0	H2	L2	P2
26	0	H0	L0	P0
27	0	GCLK0	GCLK0	GCLK0
28	1	GCLK1	GCLK1	GCLK1
29	-	TDI	TDI	TDI
30	-	TMS	TMS	TMS
31	-	TCK	TCK	TCK
32	-	TDO	TDO	TDO

ispMACH 5256B, 5384B, 5512B Logic Signal Connections: 208 PQFP (Cont.)

Pin Number	Bank Number	ispMACH 5256B	ispMACH 5384B	ispMACH 5512B
		GLB/MC/Pad	GLB/MC/Pad	GLB/MC/Pad
33	1	A0	A0	A0
34	1	A2	A2	A2
35	1	A4	A4	A4
36	1	A5	A6	A6
37	1	A6	A8	A8
38	1	A8	A10	A10
39	1	GND (Bank 1)	GND (Bank 1)	GND (Bank 1)
40	-	GND	GND	GND
41	1	VCCO (Bank 1)	VCCO (Bank 1)	VCCO (Bank 1)
42	1	A10	A12	A12
43	1	A12	A14	A14
44	1	A14	A16	A16
45	1	A16	A18	A18
46	1	A18	A20	A20
47	1	A20	A22	A22
48	-	VCC	VCC	VCC
49	1	A21	B12	B12
50	1	A22	B14	B14
51	1	A24	B16	B16
52	1	A26	B18	B18
53	1	A28	B20	B20
54	1	A30	B21	B21
55	1	GND (Bank 1)	GND (Bank 1)	GND (Bank 1)
56	1	VCCO (Bank 1)	VCCO (Bank 1)	VCCO (Bank 1)
57	1	B0	C0	C20
58	1	B2	C2	C24
59	1	B4	C4	C26
60	1	B5	C5	C28
61	1	B6	C6	D0
62	1	B8	C8	D2
63	1	B10	C10	D4
64	1	B12	C12	D6
65	1	B14	C14	D8
66	1	B16/VREF1	C16/VREF1	D10/VREF1
67	1	B18	C18	D12
68	1	B20	C20	D16
69	1	GND (Bank 1)	GND (Bank 1)	GND (Bank 1)
70	1	VCCO (Bank 1)	VCCO (Bank 1)	VCCO (Bank 1)

ispMACH 5256B, 5384B, 5512B Logic Signal Connections: 208 PQFP (Cont.)

Pin Number	Bank Number	ispMACH 5256B	ispMACH 5384B	ispMACH 5512B
		GLB/MC/Pad	GLB/MC/Pad	GLB/MC/Pad
71	1	B21	C21	D18
72	1	B22	C22	D20
73	1	B24	C24	D22
74	-	VCC	VCC	VCC
75	1	B26	C26	D24
76	1	B28	C28	D26
77	1	B30	C30	D28
78	2	C0	D0	E0
79	2	C2	D2	E2
80	2	C4	D4	E4
81	-	GND	GND	GND
82	2	C5	D5	E6
83	2	C6	D6	E8
84	2	C8	D8	E10
85	2	VCCO (Bank 2)	VCCO (Bank 2)	VCCO (Bank 2)
86	2	GND (Bank 2)	GND (Bank 2)	GND (Bank 2)
87	2	C10	D10	E12
88	2	C12	D12	E16
89	2	C14	D14	E18
90	2	C16/VREF2	D16/VREF2	E20/VREF2
91	2	C18	D18	E22
92	2	C20	D20	E24
93	2	C21	D21	E26
94	2	C22	D22	E28
95	2	C24	D24	F0
96	2	C26	D26	F2
97	2	C28	D28	F4
98	2	C30	D30	F6
99	2	VCCO (Bank 2)	VCCO (Bank 2)	VCCO (Bank 2)
100	2	GND (Bank 2)	GND (Bank 2)	GND (Bank 2)
101	2	NC	E4	G4
102	2	NC	E6	G6
103	2	NC	E8	G8
104	2	NC	E10	G10
105	2	NC	E20	G20
106	2	NC	E22	G22
107	2	D0	E24	G24
108	2	D2	E26	G26
109	2	NC	VCCO (Bank 2)	VCCO (Bank 2)

ispMACH 5256B, 5384B, 5512B Logic Signal Connections: 208 PQFP (Cont.)

Pin Number	Bank Number	ispMACH 5256B	ispMACH 5384B	ispMACH 5512B
		GLB/MC/Pad	GLB/MC/Pad	GLB/MC/Pad
110	2	NC	GND (Bank 2)	GND (Bank 2)
111	2	D4	E28	G28
112	2	D5	E30	G30
113	2	D6	F0	H0
114	2	D8	F2	H2
115	-	VCC	VCC	VCC
116	2	D10	F8	H8
117	2	D12	F10	H10
118	2	D14	F12	H12
119	2	D16	F14	H14
120	2	D18	F16	H16
121	2	D20	F18	H18
122	2	VCCO (Bank 2)	VCCO (Bank 2)	VCCO (Bank 2)
123	-	GND	GND	GND
124	2	GND (Bank 2)	GND (Bank 2)	GND (Bank 2)
125	2	D21	F20	H20
126	2	D22	F22	H22
127	2	D24	F24	H24
128	2	D26	F26	H26
129	2	D28	F28	H28
130	2	D30	F30	H30
131	-	TOE	TOE	TOE
132	2	RESETB	RESETB	RESETB
133	2	GOE0	GOE0	GOE0
134	2	GOE1	GOE1	GOE1
135	2	GCLK2	GCLK2	GCLK2
136	3	GCLK3	GCLK3	GCLK3
137	3	E30	G30	I30
138	3	E28	G28	I28
139	3	E26	G26	I26
140	3	E24	G24	I24
141	3	E22	G22	I22
142	3	E21	G20	I20
143	3	GND (Bank 3)	GND (Bank 3)	GND (Bank 3)
144	-	GND	GND	GND
145	3	VCCO (Bank 3)	VCCO (Bank 3)	VCCO (Bank 3)
146	3	E20	G18	I18
147	3	E18	G16	I16
148	3	E16	G14	I14

ispMACH 5256B, 5384B, 5512B Logic Signal Connections: 208 PQFP (Cont.)

Pin Number	Bank Number	ispMACH 5256B	ispMACH 5384B	ispMACH 5512B
		GLB/MC/Pad	GLB/MC/Pad	GLB/MC/Pad
149	3	E14	G12	I12
150	3	E12	G10	I10
151	3	E10	G8	I8
152	-	VCC	VCC	VCC
153	3	E8	H18	J0
154	3	E6	H16	K30
155	3	E5	H14	K28
156	3	E4	H12	K26
157	3	E2	H10	K24
158	3	E0	H8	K22
159	3	GND (Bank 3)	GND (Bank 3)	GND (Bank 3)
160	3	VCCO (Bank 3)	VCCO (Bank 3)	VCCO (Bank 3)
161	3	F30	I30	L30
162	3	F28	I28	L28
163	3	F26	I26	L26
164	3	F24	I24	L24
165	3	F22	I22	L22
166	3	F21	I21	L21
167	3	F20	I20	L20
168	3	F18	I18	L18
169	3	F16/VREF3	I16/VREF3	L16/VREF3
170	3	F14	I14	L14
171	3	F12	I12	L12
172	3	F10	I10	L10
173	3	GND (Bank 3)	GND (Bank 3)	GND (Bank 3)
174	3	VCCO (Bank 3)	VCCO (Bank 3)	VCCO (Bank 3)
175	3	F8	I8	L8
176	3	F6	I6	L6
177	3	F5	I5	L5
178	-	VCC	VCC	VCC
179	3	F4	I4	L4
180	3	F2	I2	L2
181	3	F0	I0	L0
182	0	G30	J30	M30
183	0	G28	J28	M28
184	0	G26	J26	M26
185	-	GND	GND	GND
186	0	G24	J24	M24
187	0	G22	J22	M22
188	0	G21	J21	M21

ispMACH 5256B, 5384B, 5512B Logic Signal Connections: 208 PQFP (Cont.)

Pin Number	Bank Number	ispMACH 5256B	ispMACH 5384B	ispMACH 5512B
		GLB/MC/Pad	GLB/MC/Pad	GLB/MC/Pad
189	0	VCCO (Bank 0)	VCCO (Bank 0)	VCCO (Bank 0)
190	0	GND (Bank 0)	GND (Bank 0)	GND (Bank 0)
191	0	G20	J20	M20
192	0	G18	J18	M18
193	0	G16/VREF0	J16/VREF0	M16/VREF0
194	0	G14	J14	M14
195	0	G12	J12	M12
196	0	G10	J10	M10
197	0	G8	J8	M8
198	0	G6	J6	M6
199	0	G5	J5	M5
200	0	G4	J4	M4
201	0	G2	J2	M2
202	0	G0	J0	M0
203	0	VCCO (Bank 0)	VCCO (Bank 0)	VCCO (Bank 0)
204	0	GND (Bank 0)	GND (Bank 0)	GND (Bank 0)
205	0	NC	K26	N8
206	0	NC	K24	N6
207	0	NC	K22	N5
208	0	NC	K20	N4

ispMACH 5256B, 5384B, 5512B Logic Signal Connections: 256 fpBGA

Ball Number	Bank Number	ispMACH 5256B GLB/MC/Pad	ispMACH 5384B GLB/MC/Pad	ispMACH 5512B GLB/MC/Pad
-	0	VCCO (Bank 0)	VCCO (Bank 0)	VCCO (Bank 0)
-	0	GND (Bank 0)	GND (Bank 0)	GND (Bank 0)
-	-	VCC	VCC	VCC
-	-	GND	GND	GND
B2	0	NC	K26	N8
B1	0	NC	K24	N6
C2	0	NC	K22	N5
C1	0	NC	K20	N4
F7	0	NC	K14	O30
F6	0	NC	K12	O28
E5	0	H30	K10	O26
D4	0	H28	K8	O24
D3	0	H26	K6	O22
D2	0	H24	K4	O20

ispMACH 5256B, 5384B, 5512B Logic Signal Connections: 256 fpBGA (Cont.)

Ball Number	Bank Number	ispMACH 5256B GLB/MC/Pad	ispMACH 5384B GLB/MC/Pad	ispMACH 5512B GLB/MC/Pad
-	-	NC	GND	GND
-	-	NC	VCC	VCC
-	0	-	VCCO (Bank 0)	VCCO (Bank 0)
-	0	-	GND (Bank 0)	GND (Bank 0)
D1	0	H22	K2	O18
E4	0	H21	K0	O16
G6	0	NC	L30	P30
F5	0	H20	L22	P22
E2	0	H18	L20	P20
E1	0	H16	L18	P18
F4	0	H14	L16	P16
F3	0	H12	L14	P14
F2	0	H10	L12	P12
-	-	GND	GND	GND
-	-	VCC	VCC	VCC
-	0	VCCO (Bank 0)	VCCO (Bank 0)	VCCO (Bank 0)
-	0	GND (Bank 0)	GND (Bank 0)	GND (Bank 0)
G5	0	H8	L10	P10
G4	0	H6	L8	P8
F1	0	H5	L6	P6
G2	0	H4	L4	P4
G1	0	H2	L2	P2
H5	0	H0	L0	P0
H1	0	NC	NC	NC
H7	0	NC	NC	NC
H4	0	GCLK0	GCLK0	GCLK0
J4	1	GCLK1	GCLK1	GCLK1
H3	-	TDI	TDI	TDI
H2	-	TMS	TMS	TMS
J3	-	TCK	TCK	TCK
J1	1	NC	NC	NC
J2	-	TDO	TDO	TDO
-	-	VCC	VCC	VCC
-	-	GND	GND	GND
-	-	VCC	VCC	VCC
-	-	GND	GND	GND
K1	1	A0	A0	A0
K2	1	A2	A2	A2
L1	1	A4	A4	A4
J5	1	A5	A6	A6
L2	1	A6	A8	A8
K4	1	A8	A10	A10
-	1	GND (Bank 1)	GND (Bank 1)	GND (Bank 1)

ispMACH 5256B, 5384B, 5512B Logic Signal Connections: 256 fpBGA (Cont.)

Ball Number	Bank Number	ispMACH 5256B GLB/MC/Pad	ispMACH 5384B GLB/MC/Pad	ispMACH 5512B GLB/MC/Pad
-	1	VCCO (Bank 1)	VCCO (Bank 1)	VCCO (Bank 1)
M1	1	A10	A12	A12
L3	1	A12	A14	A14
L4	1	A14	A16	A16
K5	1	A16	A18	A18
M2	1	A18	A20	A20
N1	1	A20	A22	A22
K6	1	NC	A26	A26
L5	1	NC	A28	A28
N2	1	NC	A30	A30
L6	1	NC	B0	B0
L7	1	NC	B2	B2
-	-	NC	GND	GND
-	-	NC	VCC	VCC
-	1	NC	GND (Bank 1)	GND (Bank 1)
-	1	NC	VCCO (Bank 1)	VCCO (Bank 1)
P1	1	NC	B4	B4
P2	1	NC	B5	B5
N3	1	NC	B6	B6
R4	1	NC	B8	B8
R1	1	A21	B12	B12
T1	1	A22	B14	B14
T2	1	A24	B16	B16
R2	1	A26	B18	B18
T3	1	A28	B20	B20
R3	1	A30	B21	B21
P4	1	NC	B22	B22
-	1	GND (Bank 1)	GND (Bank 1)	GND (Bank 1)
-	1	VCCO (Bank 1)	VCCO (Bank 1)	VCCO (Bank 1)
-	-	VCC	VCC	VCC
-	-	GND	GND	GND
T4	1	NC	B24	B24
N4	1	NC	B26	B26
M4	1	NC	B28	B28
N5	1	NC	B30	B30
R5	1	NC	NC	C0
T5	1	NC	NC	C2
T6	1	NC	NC	C12
R6	1	NC	NC	C16
P6	1	NC	NC	C18
-	1	NC	GND (Bank 1)	GND (Bank 1)
-	1	NC	VCCO (Bank 1)	VCCO (Bank 1)
M5	1	B0	C0	C20

ispMACH 5256B, 5384B, 5512B Logic Signal Connections: 256 fpBGA (Cont.)

Ball Number	Bank Number	ispMACH 5256B GLB/MC/Pad	ispMACH 5384B GLB/MC/Pad	ispMACH 5512B GLB/MC/Pad
T7	1	B2	C2	C24
T8	1	B4	C4	C26
R8	1	B5	C5	C28
M6	1	B6	C6	D0
N6	1	B8	C8	D2
R7	1	B10	C10	D4
T9	1	B12	C12	D6
T10	1	B14	C14	D8
M7	1	B16/VREF1	C16/VREF1	D10/VREF1
N7	1	B18	C18	D12
P8	1	B20	C20	D16
-	1	GND (Bank 1)	GND (Bank 1)	GND (Bank 1)
-	1	VCCO (Bank 1)	VCCO (Bank 1)	VCCO (Bank 1)
-	-	VCC	VCC	VCC
-	-	GND	GND	GND
R9	1	B21	C21	D18
N8	1	B22	C22	D20
M8	1	B24	C24	D22
T11	1	B26	C26	D24
T12	1	B28	C28	D26
R10	1	B30	C30	D28
P9	2	C0	D0	E0
R11	2	C2	D2	E2
T13	2	C4	D4	E4
N9	2	C5	D5	E6
M9	2	C6	D6	E8
R12	2	C8	D8	E10
-	-	GND	GND	GND
-	-	VCC	VCC	VCC
-	2	VCCO (Bank 2)	VCCO (Bank 2)	VCCO (Bank 2)
-	2	GND (Bank 2)	GND (Bank 2)	GND (Bank 2)
P11	2	C10	D10	E12
N10	2	C12	D12	E16
M10	2	C14	D14	E18
R13	2	C16/VREF2	D16/VREF2	E20/VREF2
T14	2	C18	D18	E22
R14	2	C20	D20	E24
M11	2	C21	D21	E26
N11	2	C22	D22	E28
P13	2	C24	D24	F0
T15	2	C26	D26	F2
T16	2	C28	D28	F4
N12	2	C30	D30	F6

ispMACH 5256B, 5384B, 5512B Logic Signal Connections: 256 fpBGA (Cont.)

Ball Number	Bank Number	ispMACH 5256B GLB/MC/Pad	ispMACH 5384B GLB/MC/Pad	ispMACH 5512B GLB/MC/Pad
-	-	GND	GND	GND
-	-	VCC	VCC	VCC
-	2	VCCO (Bank 2)	VCCO (Bank 2)	VCCO (Bank 2)
-	2	GND (Bank 2)	GND (Bank 2)	GND (Bank 2)
L10	2	NC	E4	G4
L11	2	NC	E6	G6
K11	2	NC	E8	G8
R15	2	NC	E10	G10
P15	2	NC	E18	G18
R16	2	NC	E20	G20
P16	2	NC	E22	G22
N14	2	D0	E24	G24
N13	2	D2	E26	G26
-	2	NC	VCCO (Bank 2)	VCCO (Bank 2)
-	2	NC	GND (Bank 2)	GND (Bank 2)
-	-	NC	VCC	VCC
-	-	NC	GND	GND
N15	2	D4	E28	G28
N16	2	D5	E30	G30
M16	2	D6	F0	H0
M12	2	D8	F2	H2
M13	2	D10	F8	H8
M15	2	D12	F10	H10
L16	2	D14	F12	H12
L15	2	D16	F14	H14
L13	2	D18	F16	H16
L14	2	D20	F18	H18
-	2	VCCO (Bank 2)	VCCO (Bank 2)	VCCO (Bank 2)
-	2	GND (Bank 2)	GND (Bank 2)	GND (Bank 2)
L12	2	D21	F20	H20
K13	2	D22	F22	H22
K15	2	D24	F24	H24
K16	2	D26	F26	H26
J16	2	D28	F28	H28
K12	2	D30	F30	H30
-	-	GND	GND	GND
-	-	VCC	VCC	VCC
-	-	GND	GND	GND
-	-	VCC	VCC	VCC
J13	-	TOE	TOE	TOE
J14	2	RESETB	RESETB	RESETB
J15	2	GOE0	GOE0	GOE0
H15	2	GOE1	GOE1	GOE1

ispMACH 5256B, 5384B, 5512B Logic Signal Connections: 256 fpBGA (Cont.)

Ball Number	Bank Number	ispMACH 5256B GLB/MC/Pad	ispMACH 5384B GLB/MC/Pad	ispMACH 5512B GLB/MC/Pad
H14	2	GCLK2	GCLK2	GCLK2
H13	3	GCLK3	GCLK3	GCLK3
H16	3	NC	NC	NC
J10	3	NC	NC	NC
J12	3	E30	G30	I30
G16	3	E28	G28	I28
G15	3	E26	G26	I26
H12	3	E24	G24	I24
G12	3	E22	G22	I22
G13	3	E21	G20	I20
-	3	GND (Bank 3)	GND (Bank 3)	GND (Bank 3)
-	3	VCCO (Bank 3)	VCCO (Bank 3)	VCCO (Bank 3)
-	-	VCC	VCC	VCC
-	-	GND	GND	GND
F16	3	E20	G18	I18
F15	3	E18	G16	I16
F13	3	E16	G14	I14
F14	3	E14	G12	I12
F12	3	E12	G10	I10
E16	3	E10	G8	I8
G11	3	NC	G6	I6
F11	3	NC	G4	I4
F10	3	NC	G2	I2
B11	3	NC	G0	I0
E13	3	NC	H30	J14
B12	3	NC	H28	J12
-	3	NC	GND (Bank 3)	GND (Bank 3)
-	3	NC	VCCO (Bank 3)	VCCO (Bank 3)
-	-	NC	VCC	VCC
-	-	NC	GND	GND
E15	3	NC	H26	J10
D15	3	NC	H24	J8
D16	3	NC	H20	J2
E12	3	E8	H18	J0
A16	3	E6	H16	K30
B15	3	E5	H14	K28
A15	3	E4	H12	K26
D13	3	E2	H10	K24
B14	3	E0	H8	K22
B16	3	NC	H6	K21
-	-	GND	GND	GND
-	-	VCC	VCC	VCC
-	3	GND (Bank 3)	GND (Bank 3)	GND (Bank 3)

ispMACH 5256B, 5384B, 5512B Logic Signal Connections: 256 fpBGA (Cont.)

Ball Number	Bank Number	ispMACH 5256B GLB/MC/Pad	ispMACH 5384B GLB/MC/Pad	ispMACH 5512B GLB/MC/Pad
-	3	VCCO (Bank 3)	VCCO (Bank 3)	VCCO (Bank 3)
C16	3	NC	H5	K20
C15	3	NC	H4	K18
D14	3	NC	H2	K16
A14	3	NC	H0	K14
C13	3	NC	NC	K12
B13	3	NC	NC	K10
-	-	VCC	VCC	VCC
-	-	GND	GND	GND
A13	3	NC	NC	K4
A12	3	NC	NC	K2
A11	3	NC	NC	K0
-	3	NC	GND (Bank 3)	GND (Bank 3)
-	3	NC	VCCO (Bank 3)	VCCO (Bank 3)
A10	3	F30	I30	L30
C11	3	F28	I28	L28
A9	3	F26	I26	L26
D12	3	F24	I24	L24
D11	3	F22	I22	L22
B10	3	F21	I21	L21
B9	3	F20	I20	L20
E11	3	F18	I18	L18
A8	3	F16/VREF3	I16/VREF3	L16/VREF3
D10	3	F14	I14	L14
E10	3	F12	I12	L12
A7	3	F10	I10	L10
-	3	GND (Bank 3)	GND (Bank 3)	GND (Bank 3)
-	3	VCCO (Bank 3)	VCCO (Bank 3)	VCCO (Bank 3)
-	-	VCC	VCC	VCC
-	-	GND	GND	GND
C9	3	F8	I8	L8
E9	3	F6	I6	L6
D9	3	F5	I5	L5
B8	3	F4	I4	L4
A6	3	F2	I2	L2
B7	3	F0	I0	L0
C8	0	G30	J30	M30
B6	0	G28	J28	M28
A5	0	G26	J26	M26
D8	0	G24	J24	M24
E8	0	G22	J22	M22
B5	0	G21	J21	M21
-	-	GND	GND	GND

ispMACH 5256B, 5384B, 5512B Logic Signal Connections: 256 fpBGA (Cont.)

Ball Number	Bank Number	ispMACH 5256B GLB/MC/Pad	ispMACH 5384B GLB/MC/Pad	ispMACH 5512B GLB/MC/Pad
-	-	VCC	VCC	VCC
-	0	VCCO (Bank 0)	VCCO (Bank 0)	VCCO (Bank 0)
-	0	GND (Bank 0)	GND (Bank 0)	GND (Bank 0)
A4	0	G20	J20	M20
D7	0	G18	J18	M18
E7	0	G16/VREF0	J16/VREF0	M16/VREF0
C6	0	G14	J14	M14
B4	0	G12	J12	M12
A3	0	G10	J10	M10
D6	0	G8	J8	M8
E6	0	G6	J6	M6
A2	0	G5	J5	M5
B3	0	G4	J4	M4
C4	0	G2	J2	M2
D5	0	G0	J0	M0
-	-	GND	GND	GND
-	-	VCC	VCC	VCC

ispMACH 5512B Logic Signal Connections: 484 fpBGA

Ball Number	Bank Number	ispMACH 5512B GLB/MC/Pad
-	0	VCCO (Bank 0)
-	0	GND (Bank 0)
-	-	VCC
-	-	GND
C2	0	N8
C1	0	N6
D1	0	N5
D2	0	N4
D3	0	N2
E1	0	N0
-	0	VCCO (Bank 0)
-	0	GND (Bank 0)
J1	0	O30
K1	0	O28
H3	0	O26
J2	0	O24
H4	0	O22
K2	0	O20
-	-	GND
-	-	VCC
-	0	VCCO (Bank 0)

ispMACH 5512B Logic Signal Connections: 484 fpBGA (Cont.)

Ball Number	Bank Number	ispMACH 5512B GLB/MC/Pad
-	0	GND (Bank 0)
J6	0	O18
L1	0	O16
K3	0	O14
J4	0	O12
L2	0	O10
M1	0	O8
K6	0	O6
K4	0	O4
L3	0	O2
K5	0	O0
-	-	GND
-	-	VCC
-	0	VCCO (Bank 0)
-	0	GND (Bank 0)
N1	0	P30
M2	0	P28
P1	0	P26
L4	0	P24
N2	0	P22
M3	0	P20
L5	0	P18
R1	0	P16
P2	0	P14
N3	0	P12
-	-	GND
-	-	VCC
-	0	VCCO (Bank 0)
-	0	GND (Bank 0)
M6	0	P10
M5	0	P8
M4	0	P6
N4	0	P4
N6	0	P2
N5	0	P0
P6	0	GCLK0
R6	1	GCLK1
R2	-	TDI
T1	-	TMS
R3	-	TCK
R4	-	TDO
-	-	VCC
-	-	GND

ispMACH 5512B Logic Signal Connections: 484 fpBGA (Cont.)

Ball Number	Bank Number	ispMACH 5512B GLB/MC/Pad
-	-	VCC
-	-	GND
-	-	VCC
-	-	GND
R5	1	A0
T2	1	A2
T5	1	A4
T3	1	A6
U1	1	A8
U4	1	A10
-	1	GND (Bank 1)
-	1	VCCO (Bank 1)
V1	1	A12
U3	1	A14
V5	1	A16
V2	1	A18
W1	1	A20
V3	1	A22
W2	1	A24
Y1	1	A26
Y2	1	A28
W3	1	A30
AA3	1	B0
W4	1	B2
-	-	GND
-	-	VCC
-	1	GND (Bank 1)
-	1	VCCO (Bank 1)
W5	1	B4
Y4	1	B5
T6	1	B6
Y5	1	B8
U6	1	B10
AA4	1	B12
W6	1	B14
V4	1	B16
U7	1	B18
AB2	1	B20
V7	1	B21
AA5	1	B22
-	1	GND (Bank 1)
-	1	VCCO (Bank 1)
-	-	VCC

ispMACH 5512B Logic Signal Connections: 484 fpBGA (Cont.)

Ball Number	Bank Number	ispMACH 5512B GLB/MC/Pad
-	-	GND
AB3	1	B24
Y6	1	B26
AB4	1	B28
Y7	1	B30
AB5	1	C0
V8	1	C2
AA7	1	C4
Y8	1	C8
AB6	1	C10
W8	1	C12
AA8	1	C16
Y10	1	C18
-	1	GND (Bank 1)
-	1	VCCO (Bank 1)
U8	1	C20
AB7	1	C24
U9	1	C26
AA9	1	C28
W9	1	D0
AB8	1	D2
U10	1	D4
AB9	1	D6
V11	1	D8
AA10	1	D10/VREF1
V10	1	D12
AB10	1	D16
-	1	GND (Bank 1)
-	1	VCCO (Bank 1)
-	-	VCC
-	-	GND
W10	1	D18
W11	1	D20
U11	1	D22
AA11	1	D24
V12	1	D26
AB11	1	D28
-	-	GND
-	-	VCC
-	-	VCC
-	-	GND
-	-	VCC
-	-	GND

ispMACH 5512B Logic Signal Connections: 484 fpBGA (Cont.)

Ball Number	Bank Number	ispMACH 5512B GLB/MC/Pad
W12	2	E0
Y11	2	E2
Y12	2	E4
AB12	2	E6
U12	2	E8
AA12	2	E10
-	-	GND
-	-	VCC
-	2	VCCO (Bank 2)
-	2	GND (Bank 2)
Y13	2	E12
AB13	2	E16
W13	2	E18
AA13	2	E20/VREF2
U13	2	E22
AB14	2	E24
V13	2	E26
AA14	2	E28
U14	2	F0
AB15	2	F2
Y15	2	F4
AB16	2	F6
-	2	VCCO (Bank 2)
-	2	GND (Bank 2)
AA15	2	F8
W14	2	F10
AB17	2	F12
Y16	2	F16
AA16	2	F18
Y17	2	F20
AB18	2	F22
V15	2	F24
AB19	2	F26
W15	2	F28
AB20	2	G0
AA18	2	G2
-	-	GND
-	-	VCC
-	2	VCCO (Bank 2)
-	2	GND (Bank 2)
U15	2	G4
W17	2	G6
U16	2	G8

ispMACH 5512B Logic Signal Connections: 484 fpBGA (Cont.)

Ball Number	Bank Number	ispMACH 5512B GLB/MC/Pad
AA19	2	G10
V16	2	G12
AB21	2	G14
Y18	2	G16
W18	2	G18
AA20	2	G20
W19	2	G22
Y19	2	G24
V19	2	G26
-	2	VCCO (Bank 2)
-	2	GND (Bank 2)
-	-	VCC
-	-	GND
Y21	2	G28
W20	2	G30
AA22	2	H0
W21	2	H2
Y22	2	H4
V20	2	H6
V21	2	H8
W22	2	H10
V18	2	H12
U20	2	H14
V22	2	H16
U19	2	H18
-	2	VCCO (Bank 2)
-	2	GND (Bank 2)
U17	2	H20
U22	2	H22
T20	2	H24
T21	2	H26
T17	2	H28
R20	2	H30
-	-	GND
-	-	VCC
-	-	GND
-	-	VCC
-	-	GND
-	-	VCC
T18	-	TOE
R19	2	RESETB
R18	2	GOE0
R17	2	GOE1

ispMACH 5512B Logic Signal Connections: 484 fpBGA (Cont.)

Ball Number	Bank Number	ispMACH 5512B GLB/MC/Pad
P17	2	GCLK2
P19	3	GCLK3
R21	3	I30
T22	3	I28
P21	3	I26
N20	3	I24
R22	3	I22
N21	3	I20
-	3	GND (Bank 3)
-	3	VCCO (Bank 3)
-	-	VCC
-	-	GND
M18	3	I18
N19	3	I16
P22	3	I14
M20	3	I12
N22	3	I10
N17	3	I8
M19	3	I6
M21	3	I4
L19	3	I2
L20	3	I0
-	3	GND (Bank 3)
-	3	VCCO (Bank 3)
-	-	VCC
-	-	GND
M17	3	J30
M22	3	J28
K20	3	J26
L18	3	J24
L21	3	J22
K19	3	J20
L22	3	J18
K17	3	J16
K22	3	J14
L17	3	J12
-	3	GND (Bank 3)
-	3	VCCO (Bank 3)
-	-	VCC
-	-	GND
K21	3	J10
K18	3	J8
J17	3	J6

ispMACH 5512B Logic Signal Connections: 484 fpBGA (Cont.)

Ball Number	Bank Number	ispMACH 5512B GLB/MC/Pad
J19	3	J4
J22	3	J2
J21	3	J0
-	3	GND (Bank 3)
-	3	VCCO (Bank 3)
F22	3	K30
E22	3	K28
E19	3	K26
E20	3	K24
D22	3	K22
D21	3	K21
-	-	GND
-	-	VCC
-	3	GND (Bank 3)
-	3	VCCO (Bank 3)
D20	3	K20
C22	3	K18
C18	3	K16
C19	3	K14
D17	3	K12
C21	3	K10
-	3	GND (Bank 3)
-	3	VCCO (Bank 3)
-	3	GND (Bank 3)
-	3	VCCO (Bank 3)
-	-	VCC
-	-	GND
B16	3	K8
D14	3	K6
A18	3	K5
F15	3	K4
A17	3	K2
B15	3	K0
-	3	GND (Bank 3)
-	3	VCCO (Bank 3)
A16	3	L30
F14	3	L28
C15	3	L26
D13	3	L24
E15	3	L22
F13	3	L21
B14	3	L20
E13	3	L18

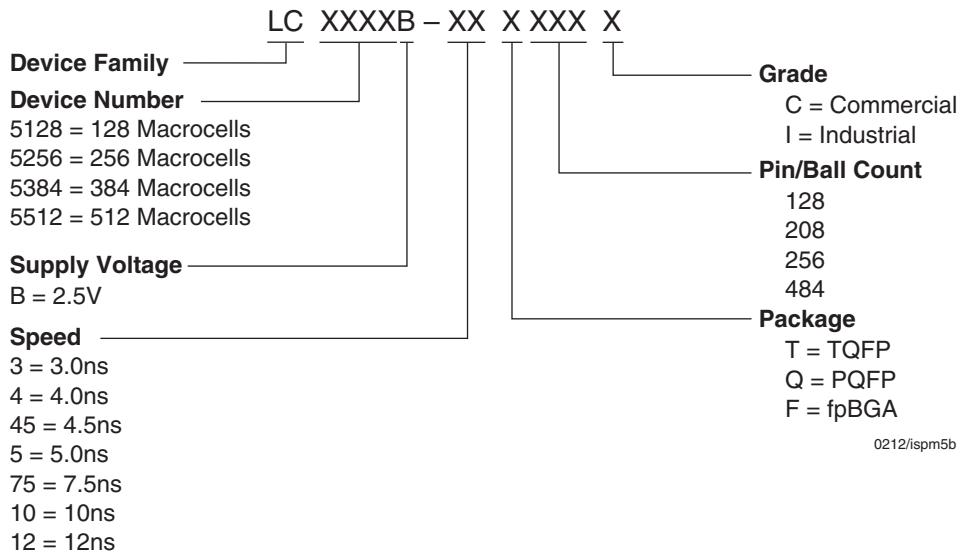
ispMACH 5512B Logic Signal Connections: 484 fpBGA (Cont.)

Ball Number	Bank Number	ispMACH 5512B GLB/MC/Pad
A15	3	L16/VREF3
D12	3	L14
A14	3	L12
B13	3	L10
-	3	GND (Bank 3)
-	3	VCCO (Bank 3)
-	-	VCC
-	-	GND
A13	3	L8
B12	3	L6
C13	3	L5
A12	3	L4
C12	3	L2
A11	3	L0
-	-	GND
-	-	VCC
-	-	GND
-	-	VCC
-	-	VCC
-	-	GND
D11	0	M30
B11	0	M28
E12	0	M26
C11	0	M24
F12	0	M22
B10	0	M21
-	-	GND
-	-	VCC
-	0	VCCO (Bank 0)
-	0	GND (Bank 0)
A10	0	M20
D10	0	M18
A9	0	M16/VREF0
E11	0	M14
B9	0	M12
F11	0	M10
E8	0	M8
A5	0	M6
F8	0	M5
C6	0	M4
D8	0	M2
A3	0	M0
-	-	GND

ispMACH 5512B Logic Signal Connections: 484 fpBGA (Cont.)

Ball Number	Bank Number	ispMACH 5512B GLB/MC/Pad
-	-	VCC
-	0	VCCO (Bank 0)
-	0	GND (Bank 0)
A2	0	N30
A4	0	N28
F7	0	N26
C5	0	N24
F6	0	N22
B3	0	N21
-	0	VCCO (Bank 0)
-	0	GND (Bank 0)
B4	0	N20
D5	0	N18
B1	0	N16
D6	0	N14
C4	0	N12
E4	0	N10

Part Number Description



0212/ispm5b

Ordering Information

Commercial

Device	Part Number	Macrocells	Voltage	t _{PD}	Package	Pin/Ball Count	I/O	Grade
LC5128B	LC5128B-3T128C	128	2.5	3.0	TQFP	128	92	C
	LC5128B-5T128C	128	2.5	5.0	TQFP	128	92	C
	LC5128B-75T128C	128	2.5	7.5	TQFP	128	92	C
LC5256B	LC5256B-4T128C	256	2.5	4.0	TQFP	128	92	C
	LC5256B-4Q208C	256	2.5	4.0	PQFP	208	144	C
	LC5256B-4F256C	256	2.5	4.0	fpBGA	256	144	C
	LC5256B-5T128C	256	2.5	5.0	TQFP	128	92	C
	LC5256B-5Q208C	256	2.5	5.0	PQFP	208	144	C
	LC5256B-5F256C	256	2.5	5.0	fpBGA	256	144	C
	LC5256B-75T128C	256	2.5	7.5	TQFP	128	92	C
	LC5256B-75Q208C	256	2.5	7.5	PQFP	208	144	C
	LC5256B-75F256C	256	2.5	7.5	fpBGA	256	144	C
LC5384B	LC5384B-4Q208C	384	2.5	4.0	PQFP	208	156	C
	LC5384B-4F256C	384	2.5	4.0	fpBGA	256	186	C
	LC5384B-5Q208C	384	2.5	5.0	PQFP	208	156	C
	LC5384B-5F256C	384	2.5	5.0	fpBGA	256	186	C
	LC5384B-75Q208C	384	2.5	7.5	PQFP	208	156	C
	LC5384B-75F256C	384	2.5	7.5	fpBGA	256	186	C

Commercial (Cont.)

Device	Part Number	Macrocells	Voltage	t _{PD}	Package	Pin/Ball Count	I/O	Grade
LC5512B	LC5512B-45Q208C	512	2.5	4.5	PQFP	208	156	C
	LC5512B-45F256C	512	2.5	4.5	fpBGA	256	196	C
	LC5512B-45F484C	512	2.5	4.5	fpBGA	484	256	C
	LC5512B-75Q208C	512	2.5	7.5	PQFP	208	156	C
	LC5512B-75F256C	512	2.5	7.5	fpBGA	256	196	C
	LC5512B-75F484C	512	2.5	7.5	fpBGA	484	256	C
	LC5512B-10Q208C	512	2.5	10	PQFP	208	156	C
	LC5512B-10F256C	512	2.5	10	fpBGA	256	196	C
	LC5512B-10F484C	512	2.5	10	fpBGA	484	256	C

Note: The speed grade for these devices are dual marked. For example, the commercial grade -4xxxxC is also marked with the industrial grade -5xxxxI. The commercial grade is always one speed grade faster than the associated dual mark industrial grade.

Industrial

Device	Part Number	Macrocells	Voltage	t _{PD}	Package	Pin/Ball Count	I/O	Grade
LC5128B	LC5128B-5T128I	128	2.5	5.0	TQFP	128	92	I
	LC5128B-75T128I	128	2.5	7.5	TQFP	128	92	I
	LC5128B-10T128I	128	2.5	10	TQFP	128	92	I
LC5256B	LC5256B-5T128I	256	2.5	5.0	TQFP	128	92	I
	LC5256B-5Q208I	256	2.5	5.0	PQFP	208	144	I
	LC5256B-5F256I	256	2.5	5.0	fpBGA	256	144	I
	LC5256B-75T128I	256	2.5	7.5	TQFP	128	92	I
	LC5256B-75Q208I	256	2.5	7.5	PQFP	208	144	I
	LC5256B-75F256I	256	2.5	7.5	fpBGA	256	144	I
	LC5256B-10T128I	256	2.5	10	TQFP	128	92	I
	LC5256B-10Q208I	256	2.5	10	PQFP	208	144	I
LC5384B	LC5384B-5Q208I	384	2.5	5.0	PQFP	208	156	I
	LC5384B-5F256I	384	2.5	5.0	fpBGA	256	186	I
	LC5384B-75Q208I	384	2.5	7.5	PQFP	208	156	I
	LC5384B-75F256I	384	2.5	7.5	fpBGA	256	186	I
	LC5384B-10Q208I	384	2.5	10	PQFP	208	156	I
	LC5384B-10F256I	384	2.5	10	fpBGA	256	186	I
LC5512B	LC5512B-75Q208I	512	2.5	7.5	PQFP	208	156	I
	LC5512B-75F256I	512	2.5	7.5	fpBGA	256	196	I
	LC5512B-75F484I	512	2.5	7.5	fpBGA	484	256	I
	LC5512B-10Q208I	512	2.5	10	PQFP	208	156	I
	LC5512B-10F256I	512	2.5	10	fpBGA	256	196	I
	LC5512B-10F484I	512	2.5	10	fpBGA	484	256	I
	LC5512B-12Q208I	512	2.5	12	PQFP	208	156	I
	LC5512B-12F256I	512	2.5	12	fpBGA	256	196	I
LC5512B-12F484I	512	2.5	12	fpBGA	484	256	I	

Note: The speed grade for these devices are dual marked. For example, the commercial grade -4xxxxC is also marked with the industrial grade -5xxxxI. The commercial grade is always one speed grade faster than the associated dual mark industrial grade.

For Further Information

In addition to this data sheet, the following technical notes may be helpful when designing with the ispMACH 5000B family:

- *sysIO Design and Usage Guidelines* (TN1000)
- *Power Estimation in ispMACH 5000B Devices* (TN1023)