

January 2002

## The ispGD X Family

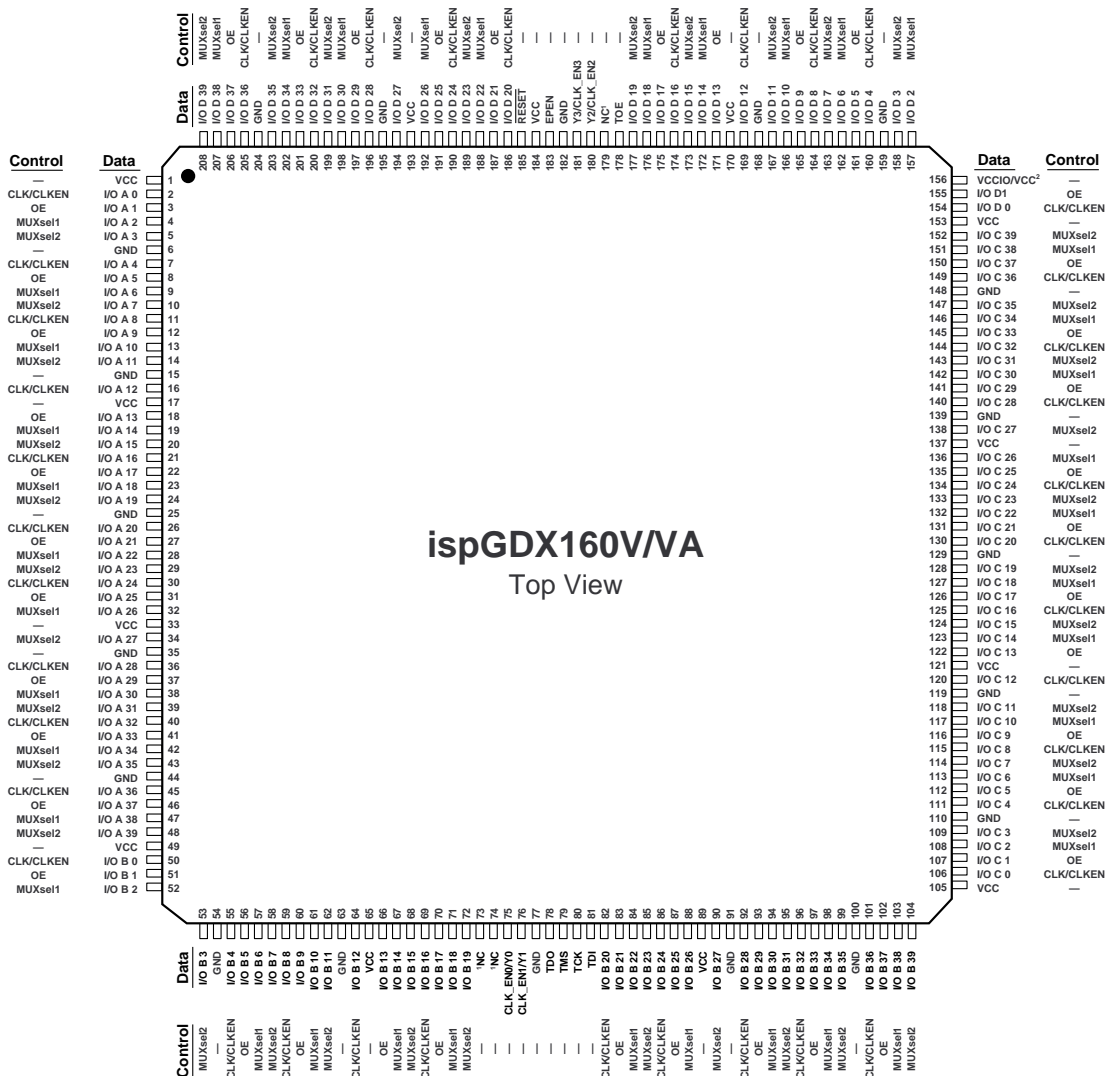
### Introduction

The ispGD X Family is available in core voltages of 5V and 3.3V. The 3.3V ispGD XV Family is a functional superset of the 5V ispGD X, adding new features, greater I/O options, a core voltage of 3.3V and individual programmable 3.3V or 2.5V output levels.

### Architecture

The architecture of the ispGD X device families consists of a series of programmable I/O cells interconnected by a Global Routing Pool (GRP). The GRP is a proprietary interconnect structure from Lattice Semiconductor, pioneered in the ispLSI<sup>®</sup> Family, that allows any input to be connected to any one or more outputs on the device. Unlike ispLSI devices, there are no programmable logic arrays on ispGD X devices. Control signals for Output Enables (OE), Clocks and MUX Controls must come from designated sets of I/O pins.

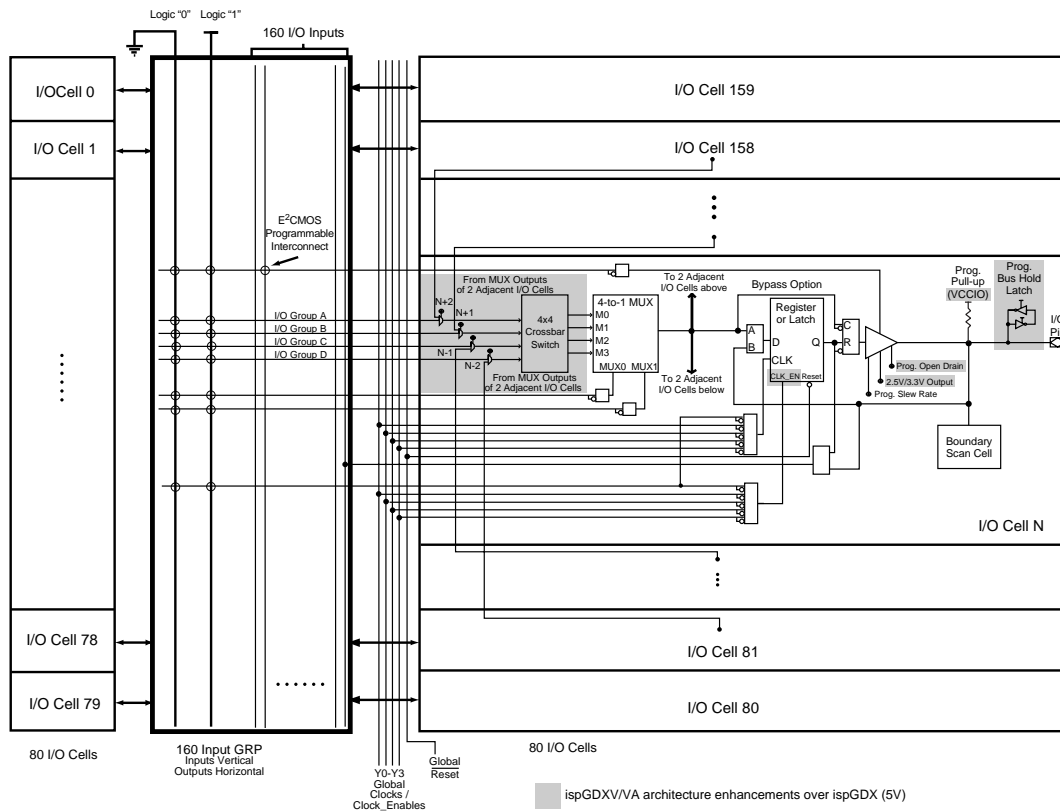
Figure 1. ispGD X160V/VA Pinout



Each I/O cell drives a unique pin. The I/O cells include a programmable flow-through latch or register that can be placed in the input or output path and bypassed for combinatorial outputs. Each I/O cell has individual, programmable tri-state control (OE), register or latch clock (CLK) and programmable polarity. The OE control for each I/O pin is independent and may be driven via the GRP by one of the designated I/O-OE pins. Using the individual tri-state control, it is possible to emulate open-drain output functionality for wired-OR bus applications.

Each I/O cell also contains a 4:1 dynamic MUX controlled by two select lines called MUX0 and MUX1. As shown in Figure 2, when both register/latch control muxes select the “A” path, the register/latch gets its inputs from the 4:1 mux and drives the I/O output. When selecting the “B” path the register/latch is directly driven by the I/O input while its output feeds the GRP. The programmable polarity clock to the latch or register can be connected to any I/O in the I/O clock set (one-quarter of total I/Os) or to one of the dedicated clock input pins (Yx). Use of the dedicated clock inputs gives minimum clock-to-output delays and minimizes delay variation with fanout. Combinatorial output mode may be implemented by a dedicated architecture bit and bypass MUX. I/O cell polarity can be programmed as active high or active low. Finally, outputs may be set to fixed HIGH or LOW logic levels to simulate Jumper or DIP Switch functions.

Figure 2. ispGDX/V I/O Cell and GRP Detail (160-I/O Device)

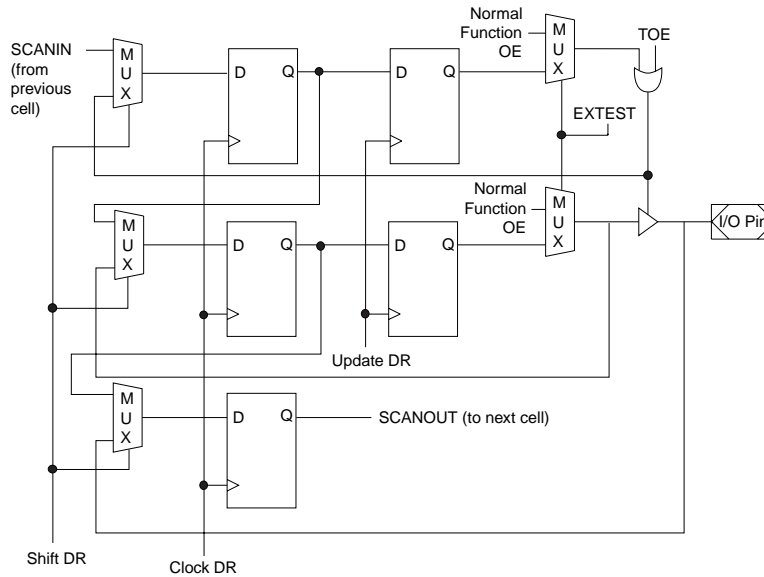


Device output buffers have 24mA IOL drive as well as independently programmable output slew rate to reduce overall ground bounce and switching noise. IEEE1149.1-compliant Boundary Scan test is supported by dedicated registers at each I/O pin (Figure 3).

ispGDX in-system programming is supported through the Test Access Port (TAP) via a special set of private commands (Boundary Scan protocol) or through the Lattice ISP protocol. The programming protocol is selected by the BSCAN/ispEN pin. ispGDXVA programming is supported through the TAP controller port. The EPEN signal, when high, enables the TAP controller port for programming and test for ispGDXVA devices.

The ispGDXV Family offers a programmable MUX width for MUX chaining and allows up to 16:1 multiplexing. Other features include a bus hold latch and clock enable.

Figure 3. ispGDX Boundary Scan I/O Register Cell



### The ispGDS Family

The ispGDS architecture features a programmable switch matrix surrounded by two banks of programmable I/O macrocells. The I/O cells in each device are divided equally into two banks (Bank A and Bank B). Each I/O macrocell can be configured as an input, an inverting or non-inverting output or a fixed TTL HIGH or LOW output. The switch matrix connects the I/O banks, allowing an I/O cell in one bank to be connected to any of the I/O cells in the other bank. A single I/O cell configured as an input can drive one or more I/O cells in the other bank. Inputs to the MUX (called MUXA, MUXB, MUXC, and MUXD) come from I/O signals found in the GRP. Each MUX data input can be accessed by one quarter of the total I/Os. MUX0 and MUX1 can be driven by designated I/O pins called the MUXsel pins. MUXsel inputs can be chosen from designated pins (Figure 4).

Figure 4. ispGDS22 Functional Block Diagram

