



PALCE20V8 Family

EE CMOS 24-Pin Universal Programmable Array Logic

DISTINCTIVE CHARACTERISTICS

- ◆ Pin and function compatible with all PAL[®] 20V8 devices
 - ◆ Electrically erasable CMOS technology provides reconfigurable logic and full testability
 - ◆ High-speed CMOS technology
 - 5-ns propagation delay for "-5" version
 - 7.5-ns propagation delay for "-7" version
 - ◆ Direct plug-in replacement for a wide range of 24-pin PAL devices
 - ◆ Programmable enable/disable control
 - ◆ Outputs individually programmable as registered or combinatorial
 - ◆ Peripheral Component Interconnect (PCI) compliant
 - ◆ Preloadable output registers for testability
 - ◆ Automatic register reset on power-up
 - ◆ Cost-effective 24-pin plastic SKINNY DIP and 28-pin PLCC packages
 - ◆ Extensive third-party software and programmer support
 - ◆ Fully tested for 100% programming and functional yields and high reliability
 - ◆ Programmable output polarity
 - ◆ 5-ns version utilizes a split leadframe for improved performance
-

GENERAL DESCRIPTION

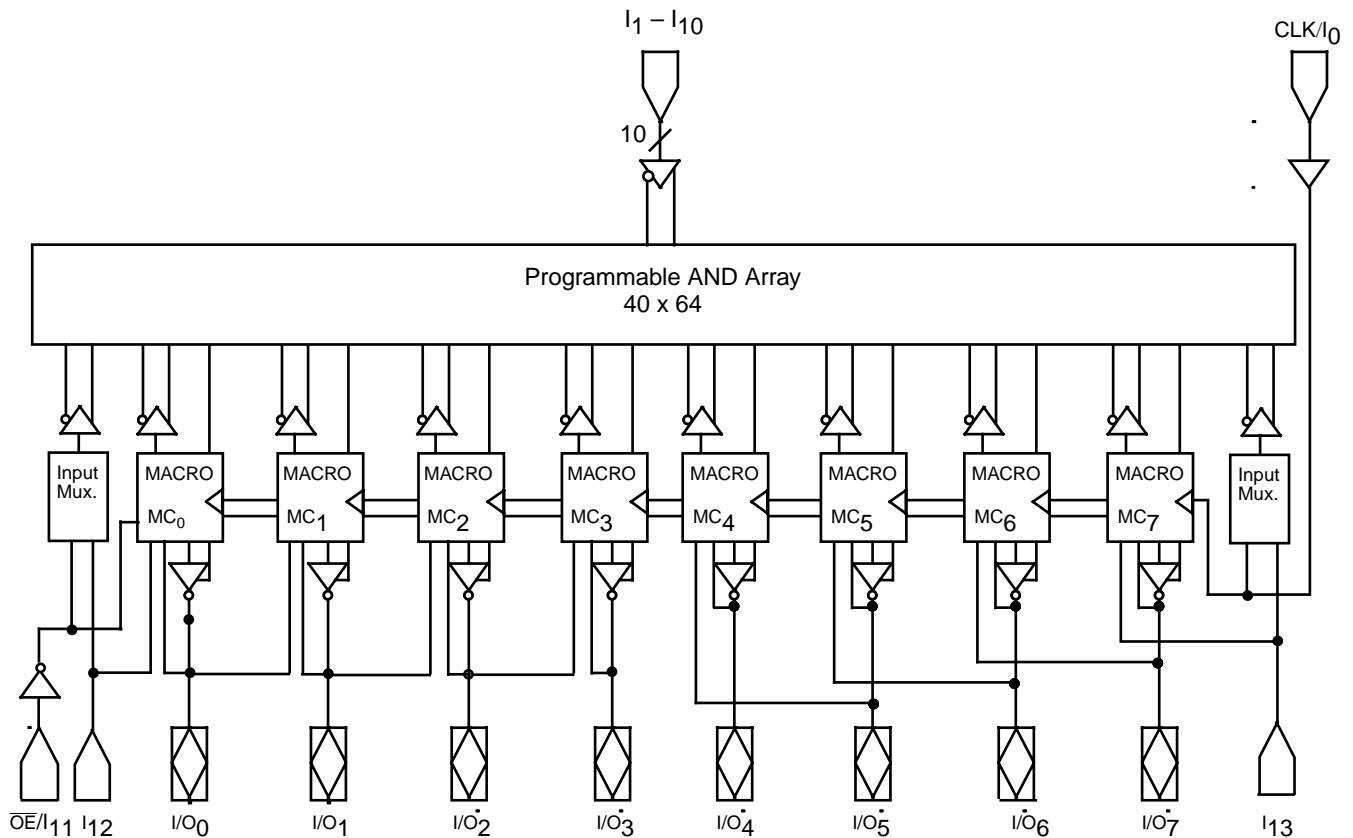
The PALCE20V8 is an advanced PAL device built with low-power, high-speed, electrically-erasable CMOS technology. Its macrocells provide a universal device architecture. The PALCE20V8 is fully compatible with the GAL20V8 and can directly replace PAL20R8 series devices and most 24-pin combinatorial PAL devices.

Device logic is automatically configured according to the user's design specification. A design is implemented using any of a number of popular design software packages, allowing automatic creation of a programming file based on Boolean or state equations. Design software also verifies the design and can provide test vectors for the finished device. Programming can be accomplished on standard PAL device programmers.

The PALCE20V8 utilizes the familiar sum-of-products (AND/OR) architecture that allows users to implement complex logic functions easily and efficiently. Multiple levels of combinatorial logic can always be reduced to sum-of-products form, taking advantage of the very wide input gates available in PAL devices. The equations are programmed into the device through floating-gate cells in the AND logic array that can be erased electrically.

The fixed OR array allows up to eight data product terms per output for logic functions. The sum of these products feeds the output macrocell. Each macrocell can be programmed as registered or combinatorial with an active-high or active-low output. The output configuration is determined by two global bits and one local bit controlling four multiplexers in each macrocell.

BLOCK DIAGRAM



16491E

FUNCTIONAL DESCRIPTION

The PALCE20V8 is a universal PAL device. It has eight independently configurable macrocells (MC₀-MC₇). Each macrocell can be configured as a registered output, combinatorial output, combinatorial I/O, or dedicated input. The programming matrix implements a programmable AND logic array, which drives a fixed OR logic array. Buffers for device inputs have complementary outputs to provide user-programmable input signal polarity. Pins 1 and 13 serve either as array inputs or as clock (CLK) and output enable (\overline{OE}) for all flip-flops.

Unused input pins should be tied directly to V_{CC} or GND. Product terms with all bits unprogrammed (disconnected) assume the logical HIGH state, and product terms with both true and complement of any input signal connected assume a logical LOW state.

The programmable functions on the PALCE20V8 are automatically configured from the user's design specification, which can be in a number of formats. The design specification is processed

CONFIGURATION OPTIONS

Each macrocell can be configured as one of the following: registered output, combinatorial output, combinatorial I/O or dedicated input. In the registered output configuration, the output buffer is enabled by the \overline{OE} pin. In the combinatorial configuration, the buffer is either controlled by a product term or always enabled. In the dedicated input configuration, the buffer is always disabled. A macrocell configured as a dedicated input derives the input signal from an adjacent I/O.

The macrocell configurations are controlled by the configuration control word. It contains 2 global bits (SG0 and SG1) and 16 local bits (SL0₀ through SL0₇ and SL1₀ through SL1₇). SG0 determines whether registers will be allowed. SG1 determines whether the PALCE20V8 will emulate a PAL20R8 family or a combinatorial device. Within each macrocell, SL0_x, in conjunction with SG1, selects the configuration of the macrocell and SL1_x sets the output as either active low or active high.

The configuration bits work by acting as control inputs for the multiplexers in the macrocell. There are four multiplexers: a product term input, an enable select, an output select, and a feedback select multiplexer. SG1 and SL0_x are the control signals for all four multiplexers. In MC₀ and MC₇, SG0 replaces SG1 on the feedback multiplexer.

These configurations are summarized in Table 1 and illustrated in Figure 2.

If the PALCE20V8 is configured as a combinatorial device, the CLK and \overline{OE} pins may be available as inputs to the array. If the device is configured with registers, the CLK and \overline{OE} pins cannot be used as data inputs.

Registered Output Configuration

The control bit settings are SG0 = 0, SG1 = 1 and SL0_x = 0. There is only one registered configuration. All eight product terms are available as inputs to the OR gate. Data polarity is determined by SL1_x. SL1_x is an input to the exclusive-OR gate which is the D input to the flip-flop. SL1_x is programmed as 1 for inverted output or 0 for non-inverted output. The flip-flop is loaded on the LOW-to-HIGH transition of CLK. The feedback path is from Q on the register. The output buffer is enabled by \overline{OE} .

Combinatorial Configurations

The PALCE20V8 has three combinatorial output configurations: dedicated output in a non-registered device, I/O in a non-registered device and I/O in a registered device.

Dedicated Output in a Non-Registered Device

The control settings are SG0 = 1, SG1 = 0, and SL0_x = 0. All eight product terms are available to the OR gate. Although the macrocell is a dedicated output, the feedback is used, with the exception of pins 18(21) and 19(23). Pins 18(21) and 19(23) do not use feedback in this mode.

Note:

1. The pin number without parentheses refers to the SKINNY DIP package. The pin number in parentheses refers to the PLCC package.

Dedicated Input in a Non-Registered Device

The control bit settings are $SG0 = 1$, $SG1 = 0$ and $SL0_x = 1$. The output buffer is disabled. The feedback signal is an adjacent I/O pin.

Combinatorial I/O in a Non-Registered Device

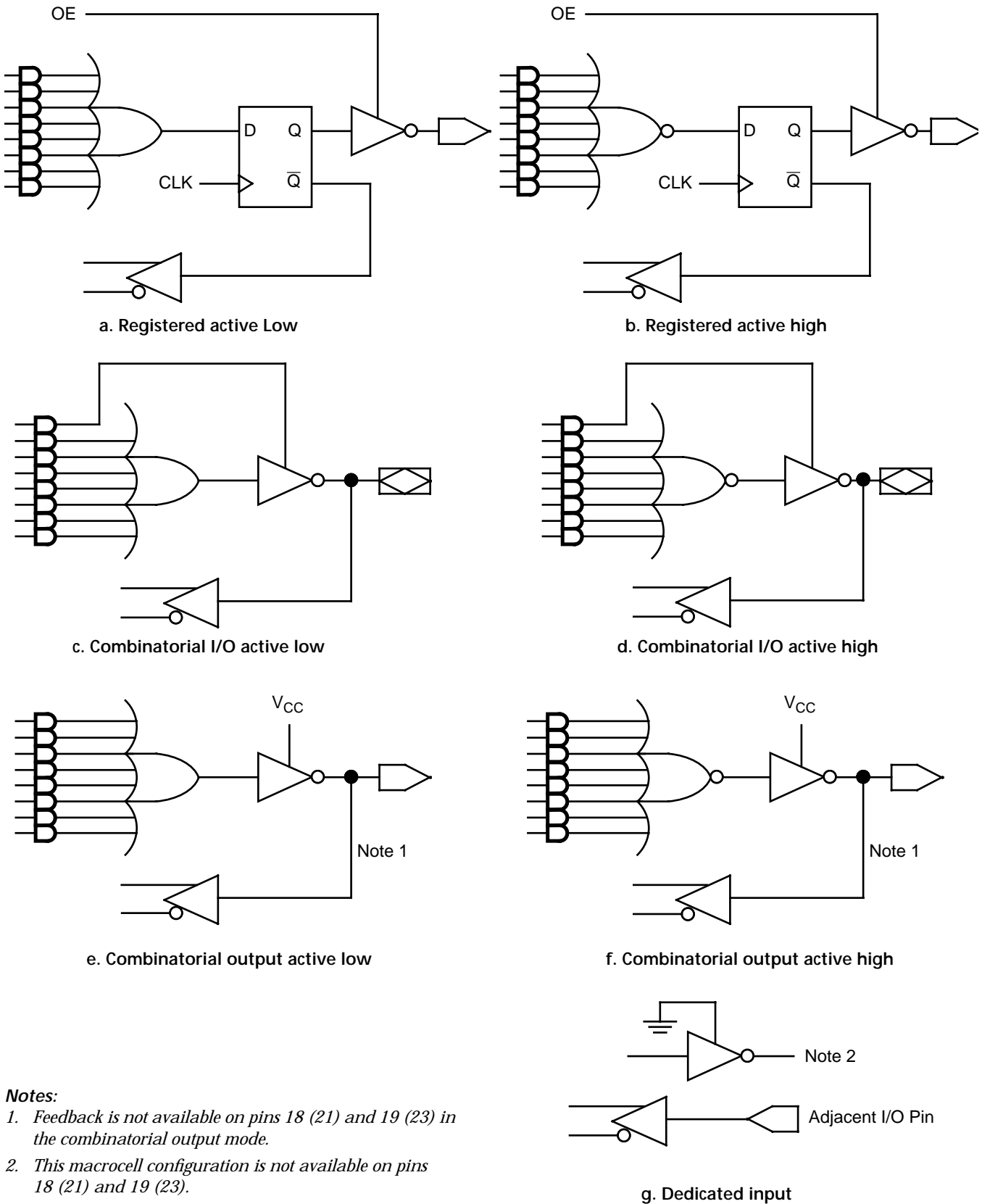
The control settings are $SG0 = 1$, $SG1 = 1$, and $SL0_x = 1$. Only seven product terms are available to the OR gate. The eighth product term is used to enable the output buffer. The signal at the I/O pin is fed back to the AND array via the feedback multiplexer. This allows the pin to be used as an input.

Combinatorial I/O in a Registered Device

The control bit settings are $SG0=0, SG1=1$ and $SL0_x = 1$. Only seven product terms are available to the OR gate. The eighth product term is used as the output enable. The feedback signal is the corresponding I/O signal.

Table 1. Macrocell Configuration

| SG0 | SG1 | SL0 _x | Cell Configuration | Devices Emulated | SG0 | SG1 | SL0 _x | Cell Configuration | Devices Emulated |
|-----------------------|-----|------------------|--------------------|---------------------|--------------------------|-----|------------------|----------------------|---------------------------|
| Device Uses Registers | | | | | Device Uses No Registers | | | | |
| 0 | 1 | 0 | Registered Output | PAL20R8, 20R6, 20R4 | 1 | 0 | 0 | Combinatorial Output | PAL20L2, 18L4, 16L6, 14L8 |
| 0 | 1 | 1 | Combinatorial I/O | PAL20R6, 20R4 | 1 | 0 | 1 | Input | PAL20L2, 18L4, 16L6 |
| | | | | | 1 | 1 | 1 | Combinatorial I/O | PAL20L8 |



Notes:

1. Feedback is not available on pins 18 (21) and 19 (23) in the combinatorial output mode.
2. This macrocell configuration is not available on pins 18 (21) and 19 (23).

Figure 2. Macrocell Configurations

16491E

Power-Up Reset

All flip-flops power up to a logic LOW for predictable system initialization. Outputs of the PALCE20V8 depend on whether they are selected as registered or combinatorial. If registered is selected, the output will be HIGH. If combinatorial is selected, the output will be a function of the logic.

Register Preload

The register on the PALCE20V8 can be preloaded from the output pins to facilitate functional testing of complex state machine designs. This feature allows direct loading of arbitrary states, making it unnecessary to cycle through long test vector sequences to reach a desired state. In addition, transitions from illegal states can be verified by loading illegal states and observing proper recovery.

Security Bit

A security bit is provided on the PALCE20V8 as a deterrent to unauthorized copying of the array configuration patterns. Once programmed, this bit defeats readback and verification of the programmed pattern by a device programmer, securing proprietary designs from competitors. The bit can only be erased in conjunction with the array during an erase cycle.

Electronic Signature Word

An electronic signature word is provided in the PALCE20V8. It consists of 64 bits of programmable memory that can contain any user-defined data. The signature data is always available to the user independent of the security bit.

Programming and Erasing

The PALCE20V8 can be programmed on standard logic programmers. It also may be erased to reset a previously configured device back to its unprogrammed state. Erasure is automatically performed by the programming hardware. No special erase operation is required.

Quality and Testability

The PALCE20V8 offers a very high level of built-in quality. The erasability of the device provides a direct means of verifying performance of all AC and DC parameters. In addition, this verifies complete programmability and functionality of the device to provide the highest programming and post-programming functional yields in the industry.

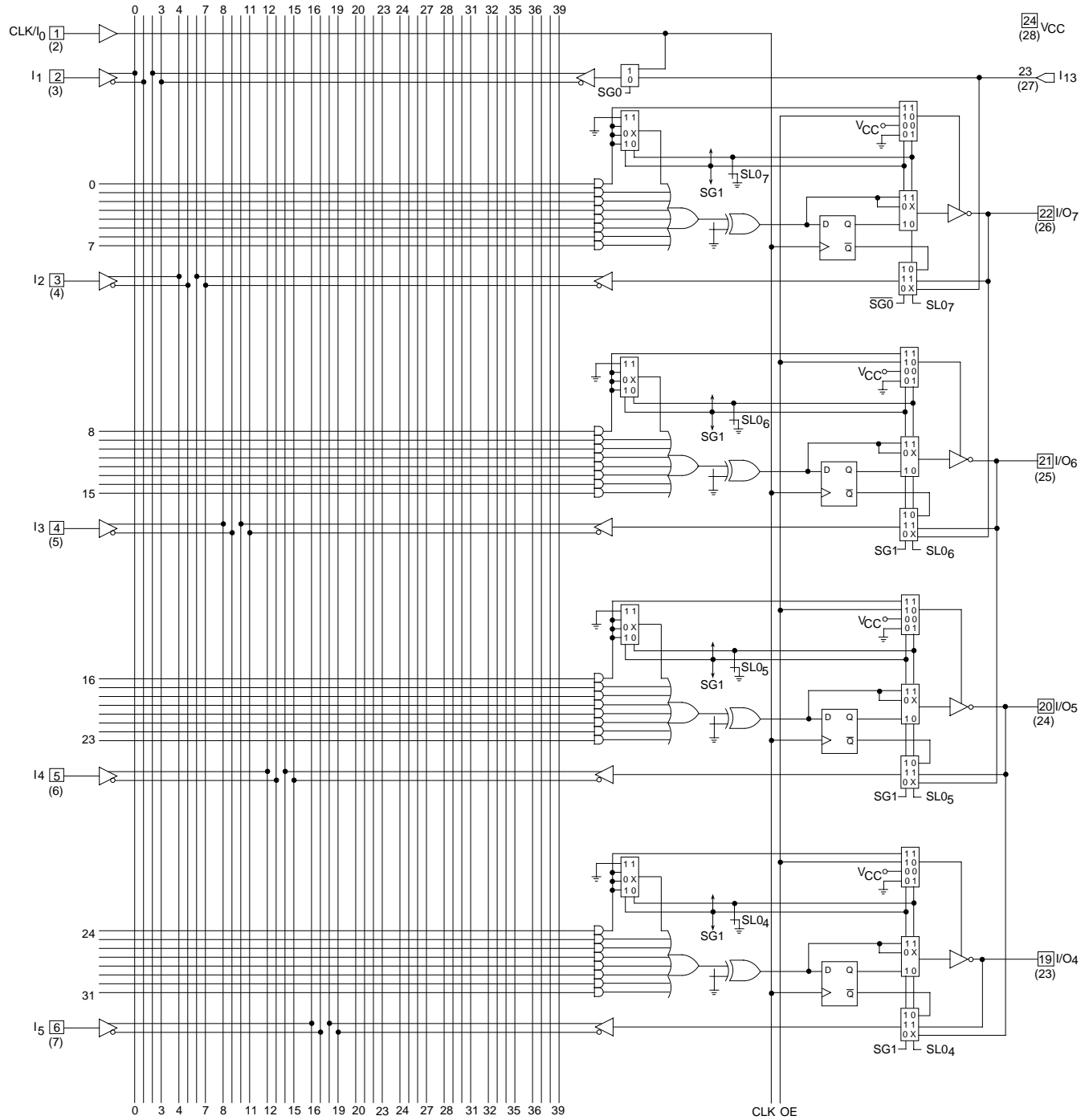
Technology

The high-speed PALCE20V8H is fabricated with Vantis' advanced electrically erasable (EE) CMOS process. The array connections are formed with proven EE cells. Inputs and outputs are designed to be compatible with TTL devices. This technology provides strong input clamp diodes, output slew-rate control, and a grounded substrate for clean switching.

PCI Compliance

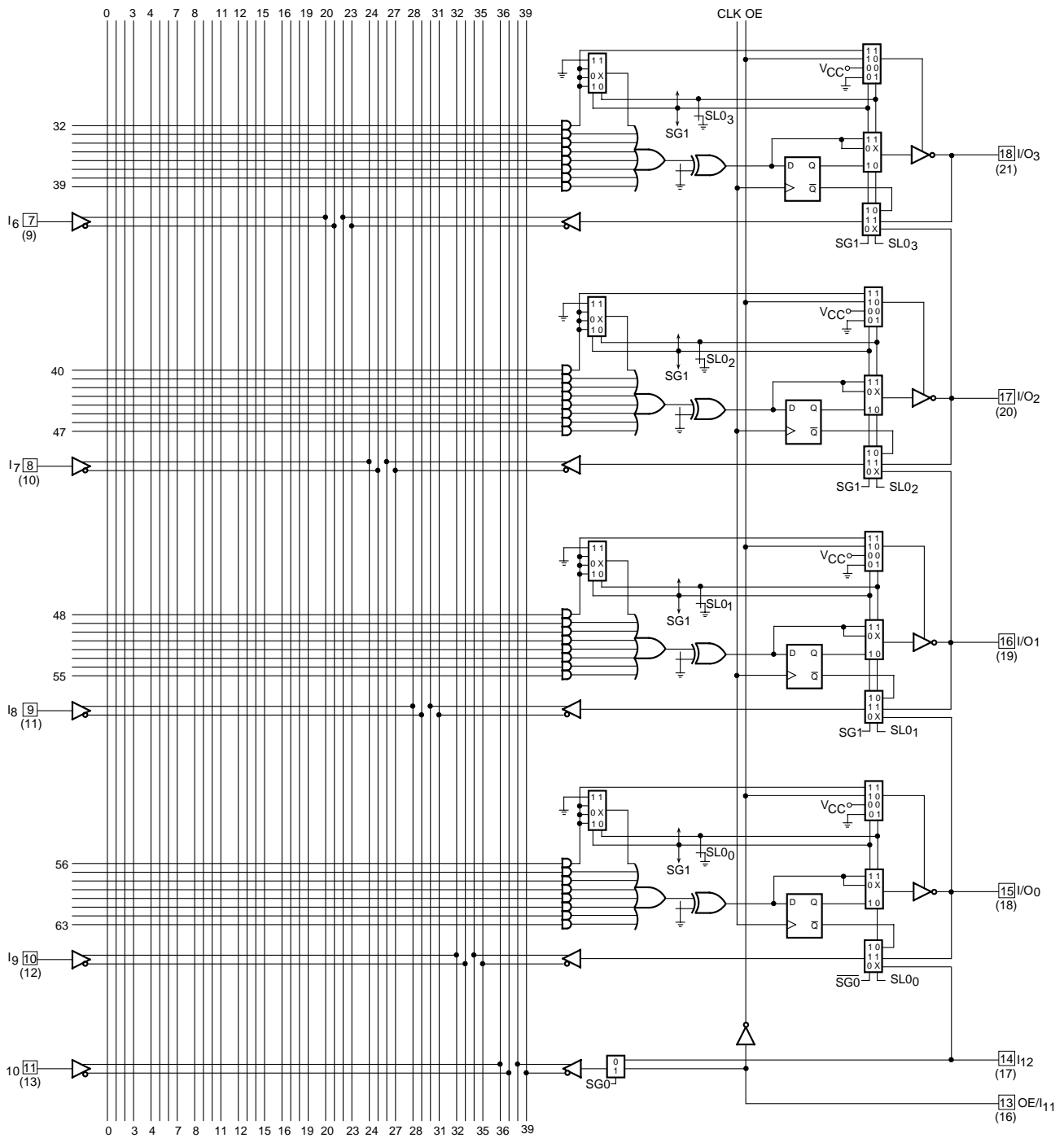
PALCE20V8H devices in the -5/-7/-10 speed grades are fully compliant with the *PCI Local Bus Specification* published by the PCI Special Interest Group. The PALCE20V8H's predictable timing ensures compliance with the PCI AC specifications independent of the design. On the other hand, in CPLD and FPGA architectures without predictable timing, PCI compliance is dependent upon routing and product term distribution.

LOGIC DIAGRAM



16491E

LOGIC DIAGRAM (CONTINUED)



ABSOLUTE MAXIMUM RATINGS

Storage Temperature -65°C to +150°C
 Ambient Temperature
 with Power Applied -55°C to +125°C
 Supply Voltage
 with Respect to Ground -0.5 V to +7.0 V
 DC Input Voltage -0.5 V to $V_{CC} + 0.5$ V
 DC Output or I/O
 Pin Voltage -0.5 V to $V_{CC} + 0.5$ V
 Static Discharge Voltage 2001 V
 Latchup Current ($T_A = 0^\circ\text{C}$ to 75°C) 100 mA

Stresses above those listed under Absolute Maximum Ratings may cause permanent device failure. Functionality at or above these limits is not implied. Exposure to Absolute Maximum Ratings for extended periods may affect device reliability. Programming conditions may differ.

OPERATING RANGES

Commercial (C) Devices

Ambient Temperature (T_A) Operating
 in Free Air 0°C to $+75^\circ\text{C}$
 Supply Voltage (V_{CC})
 with Respect to Ground +4.75 V to +5.25 V
Operating ranges define those limits between which the functionality of the device is guaranteed.

DC CHARACTERISTICS OVER COMMERCIAL OPERATING RANGES

| Parameter Symbol | Parameter Description | Test Description | Min | Max | Unit |
|--------------------|---------------------------------------|---|-----|------|---------------|
| V_{OH} | Output HIGH Voltage | $I_{OH} = -3.2$ mA, $V_{IN} = V_{IH}$ or V_{IL} , $V_{CC} = \text{Min}$ | 2.4 | | V |
| V_{OL} | Output LOW Voltage | $I_{OL} = 24$ mA, $V_{IN} = V_{IH}$ or V_{IL} , $V_{CC} = \text{Min}$ | | 0.5 | V |
| V_{IH} | Input HIGH Voltage | Guaranteed Input Logical HIGH Voltage for all Inputs (Note 1) | 2.0 | | V |
| V_{IL} | Input LOW Voltage | Guaranteed Input Logical LOW Voltage for all Inputs (Note 1) | | 0.8 | V |
| I_{IH} | Input HIGH Leakage Current | $V_{IN} = 5.25$ V, $V_{CC} = \text{Max}$ (Note 2) | | 10 | μA |
| I_{IL} | Input LOW Leakage Current | $V_{IN} = 0$ V, $V_{CC} = \text{Max}$ (Note 2) | | -100 | μA |
| I_{OZH} | Off-State Output Leakage Current HIGH | $V_{OUT} = 5.25$ V, $V_{CC} = \text{Max}$ $V_{IN} = V_{IH}$ or V_{IL} (Note 2) | | 10 | μA |
| I_{OZL} | Off-State Output Leakage Current LOW | $V_{OUT} = 0$ V, $V_{CC} = \text{Max}$ $V_{IN} = V_{IH}$ or V_{IL} (Note 2) | | -100 | μA |
| I_{SC} | Output Short-Circuit Current | $V_{OUT} = 0.5$ V, $V_{CC} = \text{Max}$ (Note 3) | -30 | -150 | mA |
| I_{CC} (Static) | Supply Current for -5 | Outputs Open ($I_{OUT} = 0$ mA), $V_{IN} = 0$ V $V_{CC} = \text{Max}$ | | 125 | mA |
| I_{CC} (Dynamic) | Supply Current for -7 and -10 | Outputs Open ($I_{OUT} = 0$ mA), $V_{CC} = \text{Max}$, $f = 25$ MHz | | 115 | mA |

Notes:

1. These are absolute values with respect to device ground, and all overshoots due to system or tester noise are included.
2. I/O pin leakage is the worst case of I_{IL} and I_{OZL} (or I_{IH} and I_{OZH}).
3. Not more than one output should be shorted at a time, and the duration of the short-circuit should not exceed one second. $V_{OUT} = 0.5$ V has been chosen to avoid test problems caused by tester ground degradation.

CAPACITANCE ¹

| Parameter Symbol | Parameter Description | Test Conditions | | Typ | Unit |
|------------------|-----------------------|--------------------------|--|-----|------|
| C_{IN} | Input Capacitance | $V_{IN} = 2.0\text{ V}$ | $V_{CC} = 5.0\text{ V}, T_A = 25^\circ\text{C},$ $f = 1\text{ MHz}$ | 5 | pF |
| C_{OUT} | Output Capacitance | $V_{OUT} = 2.0\text{ V}$ | | 8 | pF |

Note:

1. These parameters are not 100% tested, but are evaluated at initial characterization and at any time the design is modified where capacitance may be affected.

SWITCHING CHARACTERISTICS OVER COMMERCIAL OPERATING RANGES ¹

| Parameter Symbol | Parameter Description | | -5 | | -7 | | -10 | | Unit |
|------------------|--|---------------------------------|-----------------------------|-----|------------------|-----|------------------|-----|------|
| | | | Min ² | Max | Min ² | Max | Min ² | Max | |
| t_{PD} | Input or Feedback to Combinatorial Output | | 1 | 5 | 3 | 7.5 | 3 | 10 | ns |
| t_S | Setup Time from Input or Feedback to Clock | | 3 | | 5 | | 7.5 | | ns |
| t_H | Hold Time | | 0 | | 0 | | 0 | | ns |
| t_{CO} | Clock to Output | | 1 | 4 | 1 | 5 | 3 | 7.5 | ns |
| t_{SKEWR} | Skew Between Registered Outputs (Note 3) | | | 1 | | 1 | | 1 | ns |
| t_{WL} | Clock Width | LOW | 3 | | 4 | | 6 | | ns |
| t_{WH} | | HIGH | 3 | | 4 | | 6 | | ns |
| f_{MAX} | Maximum Frequency (Note 4) | External Feedback | $1/(t_S + t_{CO})$ | | 142.8 | | 100 | | MHz |
| | | Internal Feedback (t_{CNT}) | $1/(t_S + t_{CF})$ (Note 5) | | 166 | | 125 | | MHz |
| | | No Feedback | $1/(t_{WH} + t_{WL})$ | | 166 | | 125 | | MHz |
| t_{PZX} | \overline{OE} to Output Enable | | 1 | 6 | 1 | 6 | 2 | 10 | ns |
| t_{PXZ} | \overline{OE} to Output Disable | | 1 | 5 | 1 | 6 | 2 | 10 | ns |
| t_{EA} | Input to Output Enable Using Product Term Control | | 2 | 6 | 3 | 9 | 3 | 10 | ns |
| t_{ER} | Input to Output Disable Using Product Term Control | | 2 | 5 | 3 | 9 | 3 | 10 | ns |

Notes:

1. See "Switching Test Circuit" for test conditions.
2. Output delay minimums for t_{PD} , t_{CO} , t_{PZX} , t_{PXZ} , t_{EA} , and t_{ER} are defined under best case conditions. Future process improvements may alter these values; therefore, minimum values are recommended for simulation purposes only.
3. Skew testing takes into account pattern and switching direction differences between outputs that have equal loading.
4. These parameters are not 100% tested, but are calculated at initial characterization and at any time the design is modified where frequency may be affected.
5. t_{CF} is a calculated value and is not guaranteed. t_{CF} can be found using the following equation:
 $t_{CF} = 1/f_{MAX}$ (internal feedback) - t_S .

ABSOLUTE MAXIMUM RATINGS

Storage Temperature -65°C to +150°C
 Ambient Temperature
 with Power Applied -55°C to +125°C
 Supply Voltage
 with Respect to Ground -0.5 V to +7.0 V
 DC Input Voltage -0.5 V to $V_{CC} + 0.5$ V
 DC Output or I/O
 Pin Voltage -0.5 V to $V_{CC} + 0.5$ V
 Static Discharge Voltage 2001 V
 Latchup Current ($T_A = 0^\circ\text{C}$ to 75°C) 100 mA

Stresses above those listed under Absolute Maximum Ratings may cause permanent device failure. Functionality at or above these limits is not implied. Exposure to Absolute Maximum Ratings for extended periods may affect device reliability. Programming conditions may differ.

OPERATING RANGES

Commercial (C) Devices

Ambient Temperature (T_A)
 Operating in Free Air 0°C to $+75^\circ\text{C}$
 Supply Voltage (V_{CC})
 with Respect to Ground +4.75 V to +5.25 V

Operating ranges define those limits between which the functionality of the device is guaranteed.

DC CHARACTERISTICS OVER COMMERCIAL OPERATING RANGES

| Parameter Symbol | Parameter Description | Test Description | Min | Max | Unit |
|-----------------------|---------------------------------------|---|-----|------|---------------|
| V_{OH} | Output HIGH Voltage | $I_{OH} = -3.2$ mA, $V_{IN} = V_{IH}$ or V_{IL} , $V_{CC} = \text{Min}$ | 2.4 | | V |
| V_{OL} | Output LOW Voltage | $I_{OL} = 24$ mA, $V_{IN} = V_{IH}$ or V_{IL} , $V_{CC} = \text{Min}$ | | 0.5 | V |
| V_{IH} | Input HIGH Voltage | Guaranteed Input Logical HIGH Voltage for all Inputs (Note 1) | 2.0 | | V |
| V_{IL} | Input LOW Voltage | Guaranteed Input Logical LOW Voltage for all Inputs (Note 1) | | 0.8 | V |
| I_{IH} | Input HIGH Leakage Current | $V_{IN} = 5.25$ V, $V_{CC} = \text{Max}$ (Note 2) | | 10 | μA |
| I_{IL} | Input LOW Leakage Current | $V_{IN} = 0$ V, $V_{CC} = \text{Max}$ (Note 2) | | -100 | μA |
| I_{OZH} | Off-State Output Leakage Current HIGH | $V_{OUT} = 5.25$ V, $V_{CC} = \text{Max}$ $V_{IN} = V_{IH}$ or V_{IL} (Note 2) | | 10 | μA |
| I_{OZL} | Off-State Output Leakage Current LOW | $V_{OUT} = 0$ V, $V_{CC} = \text{Max}$ $V_{IN} = V_{IH}$ or V_{IL} (Note 2) | | -100 | μA |
| I_{SC} | Output Short-Circuit Current | $V_{OUT} = 0.5$ V, $V_{CC} = \text{Max}$ (Note 3) | -30 | -150 | mA |
| I_{CC} (Dynamic) | Supply Current for -10 | Outputs Open ($I_{OUT} = 0$ mA), $V_{CC} = \text{Max}$, $f = 15$ MHz (Note 4) | | 55 | mA |

Notes:

1. These are absolute values with respect to device ground, and all overshoots due to system or tester noise are included.
2. I/O pin leakage is the worst case of I_{IL} and I_{OZL} (or I_{IH} and I_{OZH}).
3. Not more than one output should be shorted at a time, and the duration of the short-circuit should not exceed one second. $V_{OUT} = 0.5$ V has been chosen to avoid test problems caused by tester ground degradation.
4. This parameter is guaranteed worst case under test conditions. Refer to the I_{CC} vs. frequency graph for typical measurements.

CAPACITANCE ¹

| Parameter Symbol | Parameter Description | Test Conditions | | Typ | Unit |
|------------------|-----------------------|--------------------------|--|-----|------|
| C_{IN} | Input Capacitance | $V_{IN} = 2.0\text{ V}$ | $V_{CC} = 5.0\text{ V}, T_A = 25^\circ\text{C},$ $f = 1\text{ MHz}$ | 5 | pF |
| C_{OUT} | Output Capacitance | $V_{OUT} = 2.0\text{ V}$ | | 8 | pF |

Note:

1. These parameters are not 100% tested, but are evaluated at initial characterization and at any time the design is modified where capacitance may be affected.

SWITCHING CHARACTERISTICS OVER COMMERCIAL OPERATING RANGES ¹

| Parameter Symbol | Parameter Description | | -10 | | Unit |
|------------------|--|---------------------------------|---------------------------|------|------|
| | | | Min ² | Max | |
| t_{PD} | Input or Feedback to Combinatorial Output | | 3 | 10 | ns |
| t_S | Setup Time from Input or Feedback to Clock | | 7.5 | | ns |
| t_H | Hold Time | | 0 | | ns |
| t_{CO} | Clock to Output | | 3 | 7.5 | ns |
| t_{WL} | Clock Width | LOW | 6 | | ns |
| t_{WH} | | HIGH | 6 | | ns |
| f_{MAX} | Maximum Frequency (Note 3) | External Feedback | $1/(t_S+t_{CO})$ | 66.7 | MHz |
| | | Internal Feedback (t_{CNT}) | $1/(t_S+t_{CF})$ (Note 4) | 71.4 | MHz |
| | | No Feedback | $1/(t_{WH}+t_{WL})$ | 83.3 | MHz |
| t_{PZX} | \overline{OE} to Output Enable | | 2 | 10 | ns |
| t_{PXZ} | \overline{OE} to Output Disable | | 2 | 10 | ns |
| t_{EA} | Input to Output Enable Using Product Term Control | | 3 | 10 | ns |
| t_{ER} | Input to Output Disable Using Product Term Control | | 3 | 10 | ns |

Notes:

1. See "Switching Test Circuit" for test conditions.
2. Output delay minimums for t_{PD} , t_{CO} , t_{PZX} , t_{PXZ} , t_{EA} , and t_{ER} are defined under best case conditions. Future process improvements may alter these values; therefore, minimum values are recommended for simulation purposes only.
3. These parameters are not 100% tested, but are calculated at initial characterization and at any time the design is modified where frequency may be affected.
4. t_{CF} is a calculated value and is not guaranteed. t_{CF} can be found using the following equation:
 $t_{CF} = 1/f_{MAX}$ (internal feedback) - t_S .

ABSOLUTE MAXIMUM RATINGS

Storage Temperature -65°C to +150°C
 Ambient Temperature
 with Power Applied -55°C to +125°C
 Supply Voltage
 with Respect to Ground -0.5 V to +7.0 V
 DC Input Voltage -0.5 V to $V_{CC} + 0.5$ V
 DC Output or I/O
 Pin Voltage -0.5 V to $V_{CC} + 0.5$ V
 Static Discharge Voltage 2001 V
 Latchup Current ($T_A = 0^\circ\text{C}$ to 75°C) 100 mA

Stresses above those listed under Absolute Maximum Ratings may cause permanent device failure. Functionality at or above these limits is not implied. Exposure to Absolute Maximum Ratings for extended periods may affect device reliability. Programming conditions may differ.

OPERATING RANGES

Commercial (C) Devices

Ambient Temperature (T_A) Operating
 in Free Air 0°C to $+75^\circ\text{C}$
 Supply Voltage (V_{CC})
 with Respect to Ground +4.75 V to +5.25 V
Operating ranges define those limits between which the functionality of the device is guaranteed.

DC CHARACTERISTICS OVER COMMERCIAL OPERATING RANGES

| Parameter Symbol | Parameter Description | Test Description | Min | Max | Unit |
|------------------|---------------------------------------|---|-----|------|---------------|
| V_{OH} | Output HIGH Voltage | $I_{OH} = -3.2$ mA, $V_{IN} = V_{IH}$ or V_{IL} , $V_{CC} = \text{Min}$ | 2.4 | | V |
| V_{OL} | Output LOW Voltage | $I_{OL} = 24$ mA, $V_{IN} = V_{IH}$ or V_{IL} , $V_{CC} = \text{Min}$ | | 0.5 | V |
| V_{IH} | Input HIGH Voltage | Guaranteed Input Logical HIGH Voltage for all Inputs (Note 1) | 2.0 | | V |
| V_{IL} | Input LOW Voltage | Guaranteed Input Logical LOW Voltage for all Inputs (Note 1) | | 0.8 | V |
| I_{IH} | Input HIGH Leakage Current | $V_{IN} = 5.25$ V, $V_{CC} = \text{Max}$ (Note 2) | | 10 | μA |
| I_{IL} | Input LOW Leakage Current | $V_{IN} = 0$ V, $V_{CC} = \text{Max}$ (Note 2) | | -100 | μA |
| I_{OZH} | Off-State Output Leakage Current HIGH | $V_{OUT} = 5.25$ V, $V_{CC} = \text{Max}$ $V_{IN} = V_{IH}$ or V_{IL} (Note 2) | | 10 | μA |
| I_{OZL} | Off-State Output Leakage Current LOW | $V_{OUT} = 0$ V, $V_{CC} = \text{Max}$ $V_{IN} = V_{IH}$ or V_{IL} (Note 2) | | -100 | μA |
| I_{SC} | Output Short-Circuit Current | $V_{OUT} = 0.5$ V, $V_{CC} = \text{Max}$ (Note 3) | -30 | -150 | mA |
| I_{CC} | Supply Current | Outputs Open ($I_{OUT} = 0$ mA), $V_{CC} = \text{Max}$, $f = 15$ MHz | H | 90 | mA |
| | | | Q | 55 | |

Notes:

- These are absolute values with respect to device ground, and all overshoots due to system or tester noise are included.
- I/O pin leakage is the worst case of I_{IL} and I_{OZL} (or I_{IH} and I_{OZH}).
- Not more than one output should be shorted at a time, and the duration of the short-circuit should not exceed one second. $V_{OUT} = 0.5$ V has been chosen to avoid test problems caused by tester ground degradation.

CAPACITANCE ¹

| Parameter Symbol | Parameter Description | Test Conditions | | Typ | Unit |
|------------------|-----------------------|--------------------------|--|-----|------|
| C_{IN} | Input Capacitance | $V_{IN} = 2.0\text{ V}$ | $V_{CC} = 5.0\text{ V}, T_A = 25^\circ\text{C},$ $f = 1\text{ MHz}$ | 5 | pF |
| C_{OUT} | Output Capacitance | $V_{OUT} = 2.0\text{ V}$ | | 8 | pF |

Note:

1. These parameters are not 100% tested, but are evaluated at initial characterization and at any time the design is modified where capacitance may be affected.

SWITCHING CHARACTERISTICS OVER COMMERCIAL OPERATING RANGES ¹

| Parameter Symbol | Parameter Description | | -15 | | -25 | | Unit |
|------------------|--|---------------------------------|---------------------------|-----|------|------|------|
| | | | Min | Max | Min | Max | |
| t_{PD} | Input or Feedback to Combinatorial Output | | | 15 | | 25 | ns |
| t_S | Setup Time from Input or Feedback to Clock | | 12 | | 15 | | ns |
| t_H | Hold Time | | 0 | | 0 | | ns |
| t_{CO} | Clock to Output | | | 10 | | 12 | ns |
| t_{WL} | Clock Width | LOW | 8 | | 12 | | ns |
| t_{WH} | | HIGH | 8 | | 12 | | ns |
| f_{MAX} | Maximum Frequency (Note 2) | External Feedback | $1/(t_S+t_{CO})$ | | 45.5 | 37 | MHz |
| | | Internal Feedback (f_{CNT}) | $1/(t_S+t_{CF})$ (Note 3) | | 50 | 40 | MHz |
| | | No Feedback | $1/(t_{WH}+t_{WL})$ | | 62.5 | 41.6 | MHz |
| t_{PZX} | \overline{OE} to Output Enable | | | 15 | | 20 | ns |
| t_{PXZ} | \overline{OE} to Output Disable | | | 15 | | 20 | ns |
| t_{EA} | Input to Output Enable Using Product Term Control | | | 15 | | 25 | ns |
| t_{ER} | Input to Output Disable Using Product Term Control | | | 15 | | 25 | ns |

Notes:

1. See "Switching Test Circuit" for test conditions.
2. These parameters are not 100% tested, but are calculated at initial characterization and at any time the design is modified where frequency may be affected.
3. t_{CF} is a calculated value and is not guaranteed. t_{CF} can be found using the following equation:
 $t_{CF} = 1/f_{MAX}$ (internal feedback) - t_S .

ABSOLUTE MAXIMUM RATINGS

Storage Temperature -65°C to +150°C
 Ambient Temperature
 with Power Applied -55°C to +125°C
 Supply Voltage
 with Respect to Ground -0.5 V to +7.0 V
 DC Input Voltage -0.5 V to $V_{CC} + 0.5$ V
 DC Output or I/O
 Pin Voltage -0.5 V to $V_{CC} + 0.5$ V
 Static Discharge Voltage 2001 V
 Latchup Current ($T_A = -40^\circ\text{C}$ to $+85^\circ\text{C}$) 100 mA

Stresses above those listed under Absolute Maximum Ratings may cause permanent device failure. Functionality at or above these limits is not implied. Exposure to Absolute Maximum Ratings for extended periods may affect device reliability. Programming conditions may differ.

OPERATING RANGES

Industrial (I) Devices

Ambient Temperature (T_A) Operating
 in Free Air -40°C to +85°C
 Supply Voltage (V_{CC})
 with Respect to Ground +4.5 V to +5.5 V

Operating ranges define those limits between which the functionality of the device is guaranteed.

DC CHARACTERISTICS OVER INDUSTRIAL OPERATING RANGES

| Parameter Symbol | Parameter Description | Test Description | Min | Max | Unit |
|------------------|---------------------------------------|---|-----|------|---------------|
| V_{OH} | Output HIGH Voltage | $I_{OH} = -3.2$ mA, $V_{IN} = V_{IH}$ or V_{IL} , $V_{CC} = \text{Min}$ | 2.4 | | V |
| V_{OL} | Output LOW Voltage | $I_{OL} = 24$ mA, $V_{IN} = V_{IH}$ or V_{IL} , $V_{CC} = \text{Min}$ | | 0.5 | V |
| V_{IH} | Input HIGH Voltage | Guaranteed Input Logical HIGH Voltage for all Inputs (Note 1) | 2.0 | | V |
| V_{IL} | Input LOW Voltage | Guaranteed Input Logical LOW Voltage for all Inputs (Note 1) | | 0.8 | V |
| I_{IH} | Input HIGH Leakage Current | $V_{IN} = 5.5$ V, $V_{CC} = \text{Max}$ (Note 2) | | 10 | μA |
| I_{IL} | Input LOW Leakage Current | $V_{IN} = 0$ V, $V_{CC} = \text{Max}$ (Note 2) | | -100 | μA |
| I_{OZH} | Off-State Output Leakage Current HIGH | $V_{OUT} = 5.5$ V, $V_{CC} = \text{Max}$, $V_{IN} = V_{IH}$ or V_{IL} (Note 2) | | 10 | μA |
| I_{OZL} | Off-State Output Leakage Current LOW | $V_{OUT} = 0$ V, $V_{CC} = \text{Max}$, $V_{IN} = V_{IH}$ or V_{IL} (Note 2) | | -100 | μA |
| I_{SC} | Output Short-Circuit Current | $V_{OUT} = 0.5$ V, $V_{CC} = \text{Max}$ (Note 3) | -30 | -150 | mA |
| I_{CC} | Supply Current | Outputs Open ($I_{OUT} = 0$ mA), $V_{CC} = \text{Max}$, $f = 15$ MHz | H | 130 | mA |
| | | | Q | 65 | |

Notes:

1. These are absolute values with respect to device ground, and all overshoots due to system or tester noise are included.
2. I/O pin leakage is the worst case of I_{IL} and I_{OZL} (or I_{IH} and I_{OZH}).
3. Not more than one output should be shorted at a time, and the duration of the short-circuit should not exceed one second. $V_{OUT} = 0.5$ V has been chosen to avoid test problems caused by tester ground degradation.

CAPACITANCE ¹

| Parameter Symbol | Parameter Description | Test Conditions | | Typ | Unit |
|------------------|-----------------------|--------------------------|--|-----|------|
| C_{IN} | Input Capacitance | $V_{IN} = 2.0\text{ V}$ | $V_{CC} = 5.0\text{ V}, T_A = 25^\circ\text{C},$ $f = 1\text{ MHz}$ | 5 | pF |
| C_{OUT} | Output Capacitance | $V_{OUT} = 2.0\text{ V}$ | | 8 | pF |

Note:

1. These parameters are not 100% tested, but are evaluated at initial characterization and at any time the design is modified where capacitance may be affected.

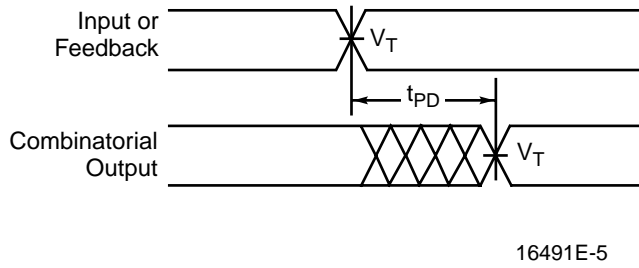
SWITCHING CHARACTERISTICS OVER INDUSTRIAL OPERATING RANGES ¹

| Parameter Symbol | Parameter Description | | -15 | | -20 | | -25 | | Unit |
|------------------|--|---------------------------------|---------------------------|------|-----|------|-----|------|------|
| | | | Min | Max | Min | Max | Min | Max | |
| t_{PD} | Input or Feedback to Combinatorial Output | | | 15 | | 20 | | 25 | ns |
| t_S | Setup Time from Input or Feedback to Clock | | 12 | | 13 | | 15 | | ns |
| t_H | Hold Time | | 0 | | 0 | | 0 | | ns |
| t_{CO} | Clock to Output | | | 10 | | 11 | | 12 | ns |
| t_{WL} | Clock Width | LOW | 8 | | 10 | | 12 | | ns |
| t_{WH} | | HIGH | 8 | | 10 | | 12 | | ns |
| f_{MAX} | Maximum Frequency (Note 2) | External Feedback | $1/(t_S+t_{CO})$ | 45.5 | | 41.6 | | 37 | MHz |
| | | Internal Feedback (f_{CNT}) | $1/(t_S+t_{CF})$ (Note 3) | 50 | | 45.4 | | 40 | MHz |
| | | No Feedback | $1/(t_{WH}+t_{WL})$ | 62.5 | | 50.0 | | 41.6 | MHz |
| t_{PZX} | \overline{OE} to Output Enable | | | 15 | | 18 | | 20 | ns |
| t_{PXZ} | \overline{OE} to Output Disable | | | 15 | | 18 | | 20 | ns |
| t_{EA} | Input to Output Enable Using Product Term Control | | | 15 | | 18 | | 25 | ns |
| t_{ER} | Input to Output Disable Using Product Term Control | | | 15 | | 18 | | 25 | ns |

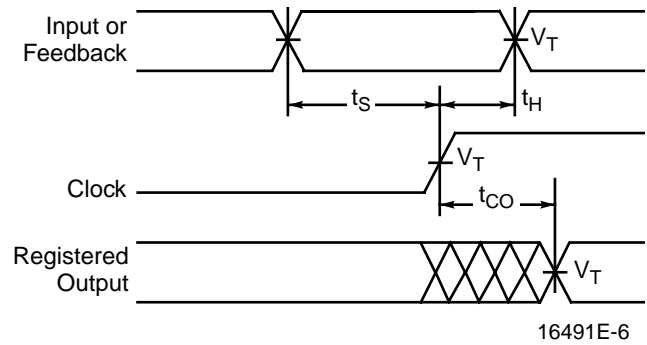
Notes:

1. See "Switching Test Circuit" for test conditions.
2. These parameters are not 100% tested, but are calculated at initial characterization and at any time the design is modified where frequency may be affected.
3. t_{CF} is a calculated value and is not guaranteed. t_{CF} can be found using the following equation:
 $t_{CF} = 1/f_{MAX}$ (internal feedback) - t_S

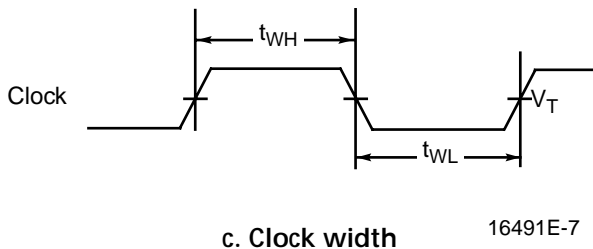
SWITCHING WAVEFORMS



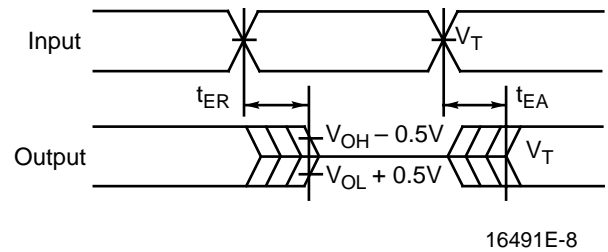
a. Combinatorial output



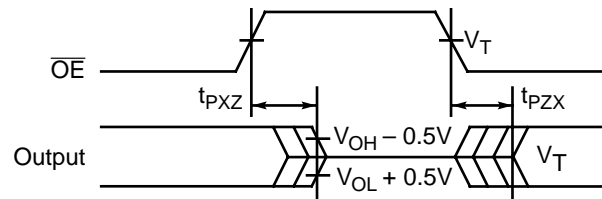
b. Registered output



c. Clock width



d. Input to output disable/enable



e. \overline{OE} to output disable/enable

Notes:

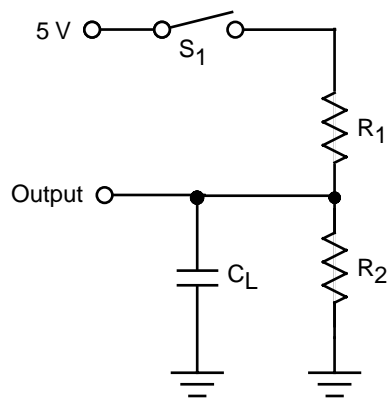
1. $V_T = 1.5\text{ V}$
2. Input pulse amplitude 0 V to 3.0 V.
3. Input rise and fall times 2 ns to 5 ns typical.

KEY TO SWITCHING WAVEFORMS

| WAVEFORM | INPUTS | OUTPUTS |
|----------|----------------------------------|---|
| | Must be Steady | Will be Steady |
| | May Change from H to L | Will be Changing from H to L |
| | May Change from L to H | Will be Changing from L to H |
| | Don't Care, Any Change Permitted | Changing, State Unknown |
| | Does Not Apply | Center Line is High-Impedance "Off" State |

KS000010-PAL

SWITCHING TEST CIRCUIT

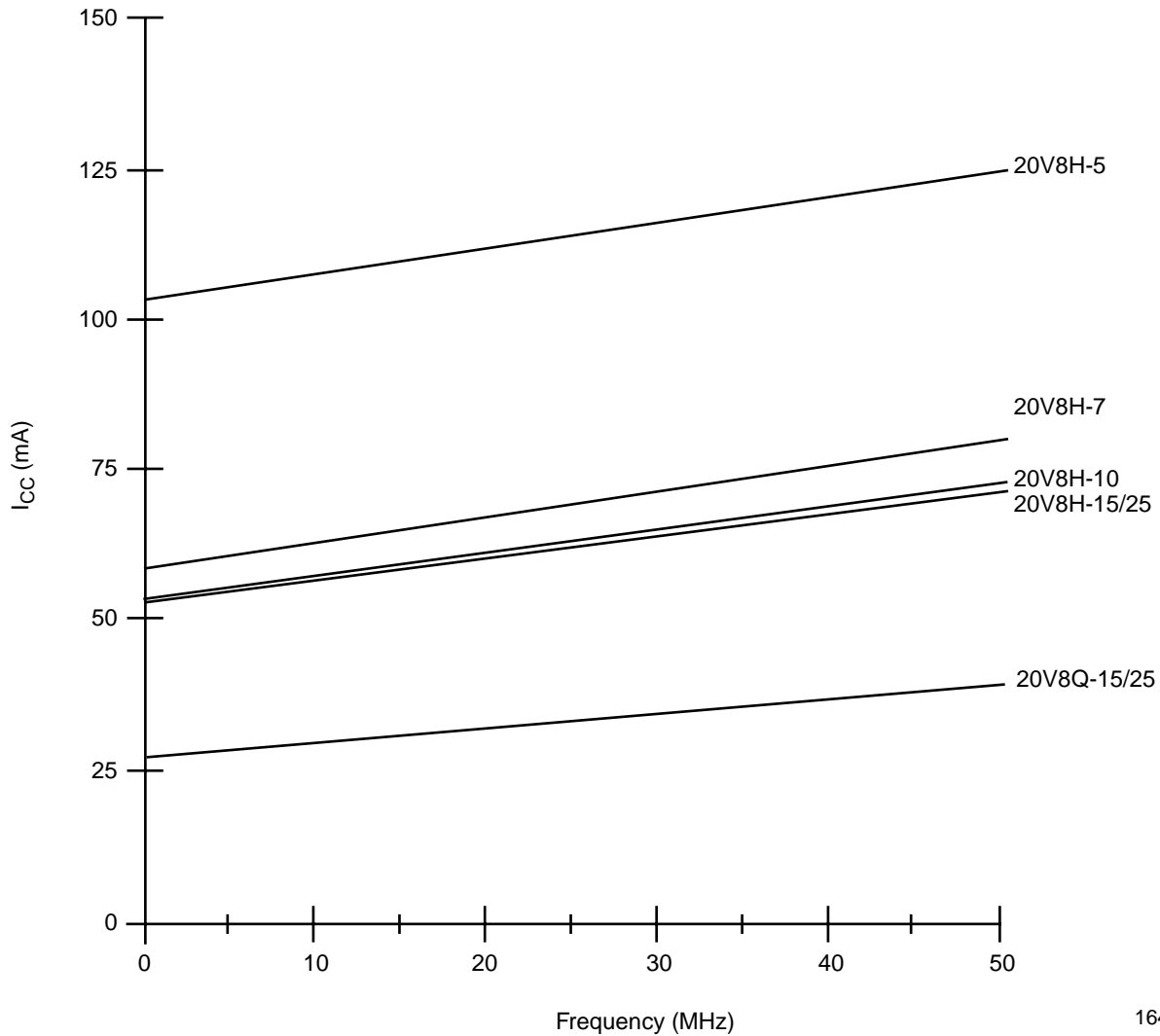


16491E-10

| Specification | S ₁ | C _L | Commercial | | Measured Output Value |
|------------------------------------|------------------------------|----------------|----------------|----------------|--|
| | | | R ₁ | R ₂ | |
| t _{PD} , t _{CO} | Closed | 50 pF | 200 Ω | 390 Ω | 1.5 V |
| t _{PZX} , t _{EA} | Z → H: Open Z → L: Closed | | | | 1.5 V |
| t _{PXZ} , t _{ER} | H → Z: Open L → Z: Closed | 5 pF | | H-5: 200 Ω | H → Z: V _{OH} - 0.5 V L → Z: V _{OL} + 0.5 V |

TYPICAL I_{CC} CHARACTERISTICS

$V_{CC} = 5\text{ V}$, $T_A = 25^\circ\text{C}$



16491E-11

I_{CC} vs. Frequency

The selected "typical" pattern utilized 50% of the device resources. Half of the macrocells were programmed as registered, and the other half were programmed as combinatorial. Half of the available product terms were used for each macrocell. On any vector, half of the outputs were switching.

By utilizing 50% of the device, a midpoint is defined for I_{CC} . From this midpoint, a designer may scale the I_{CC} graphs up or down to estimate the I_{CC} requirements for a particular design.

ENDURANCE CHARACTERISTICS

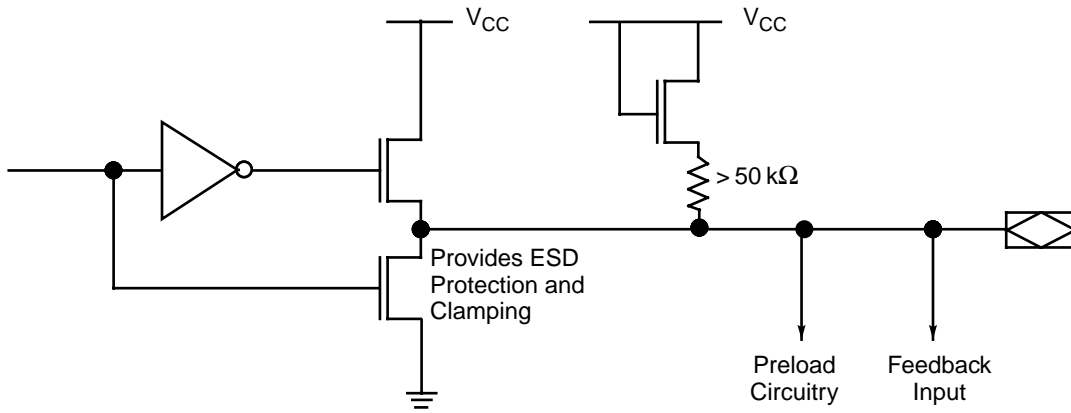
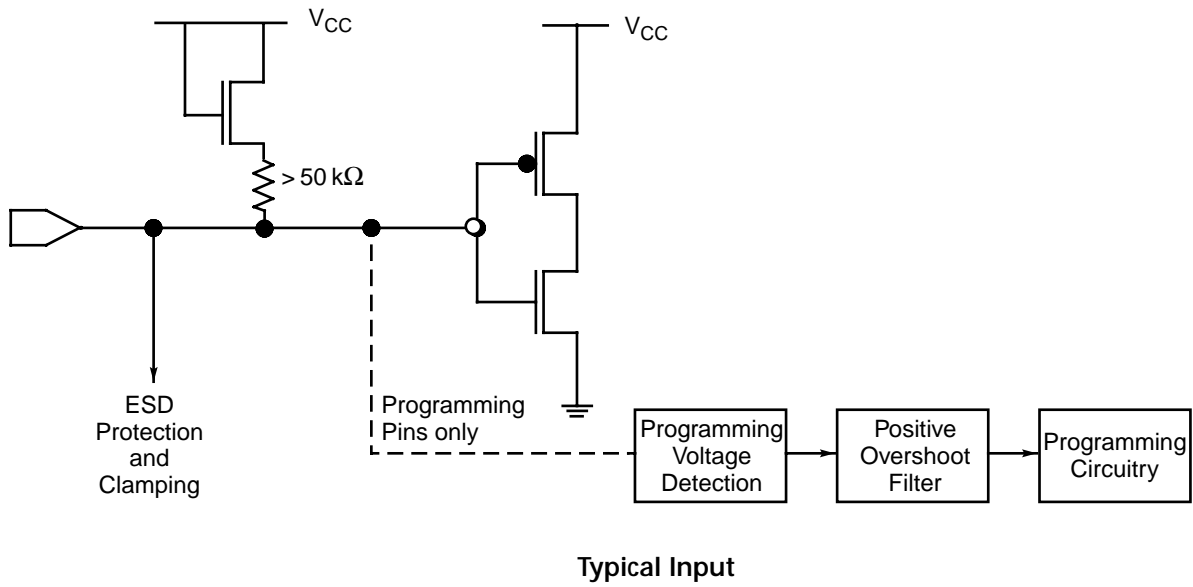
The PALCE20V8 is manufactured using Vantis' advanced electrically-erasable (EE) CMOS process. This technology uses an EE cell to replace the fuse link used in bipolar parts. As a result, the device can be erased and reprogrammed—a feature which allows 100% testing at the factory.

| Symbol | Parameter | Test Conditions | Value | Unit |
|----------|---------------------------------|-------------------------------|-------|--------|
| t_{DR} | Min Pattern Data Retention Time | Max Storage Temperature | 10 | Years |
| | | Max Operating Temperature | 20 | Years |
| N | Max Reprogramming Cycles | Normal Programming Conditions | 100 | Cycles |

ROBUSTNESS FEATURES

The PALCE20V8X-X/5 have some unique features that make them extremely robust, especially when operating in high-speed design environments. Pull-up resistors on inputs and I/O pins cause unconnected pins to default to a known state. Input clamping circuitry limits negative overshoot, eliminating the possibility of false clocking caused by subsequent ringing. A special noise filter makes the programming circuitry completely insensitive to any positive overshoot that has a pulse width of less than about 100 ns for the /5 versions.

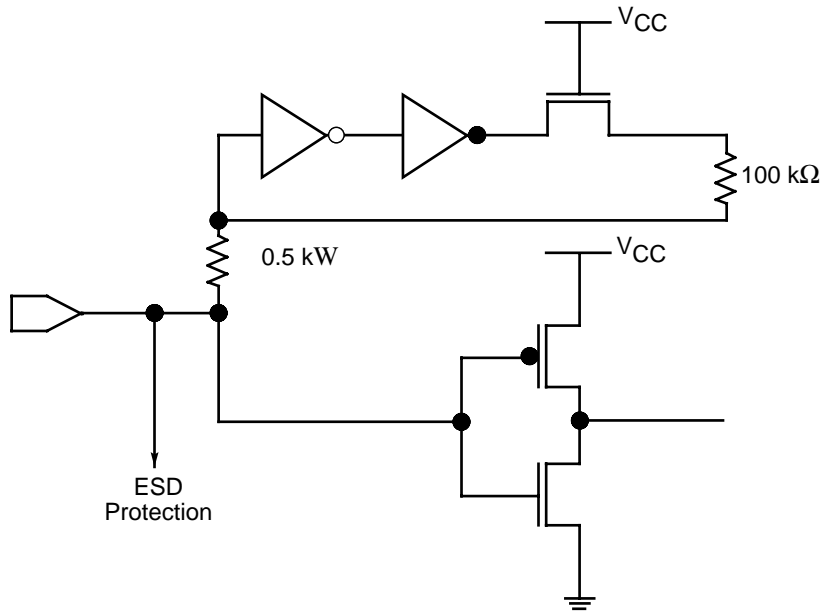
INPUT/OUTPUT EQUIVALENT SCHEMATICS FOR PALCE20V8H-7 AND PALCE20V8H-5



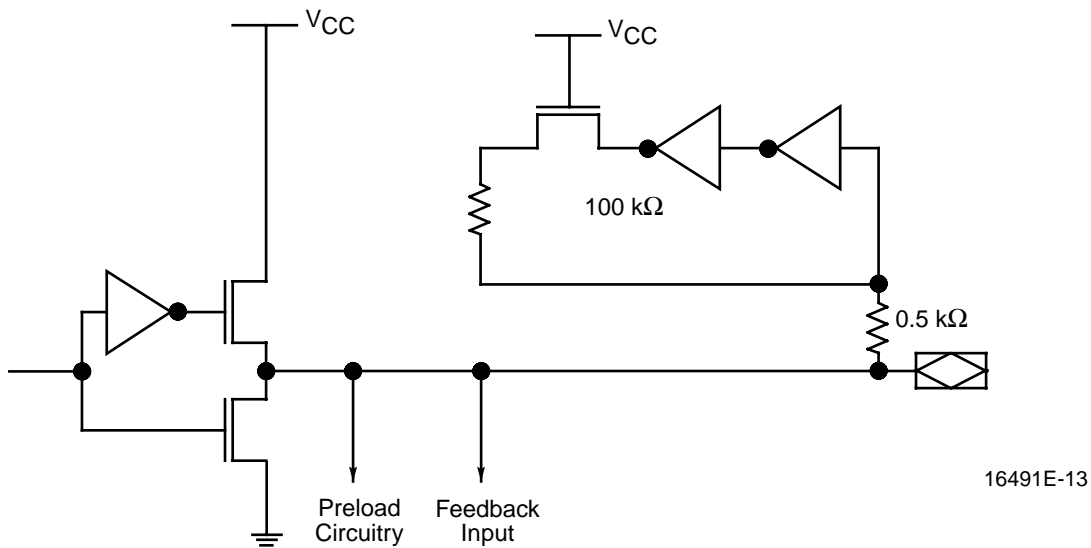
16491E-12

| Device | Rev Letter |
|--------------|------------|
| PALCE20V8H-7 | A |
| PALCE20V8H-5 | A |

INPUT/OUTPUT EQUIVALENT SCHEMATICS FOR /4 VERSIONS



Input



I/O

16491E-13

Topside Marking:

Lattice/Vantis CMOS PLDs are marked on top of the package in the following manner:

PALCEXXX

Datecode (3 numbers) Lot ID (4 characters)--(Rev Letter)

The Lot ID and Rev Letter are separated by two spaces.

| Device | Rev Letter |
|----------------|------------|
| PALCE20V8H-10 | M |
| PALCE20V8H-15 | L, M |
| PALCE20V8H-15 | M |
| PALCE20V8H--25 | M |
| PALCE20V8H-25 | M |

POWER-UP RESET

The PALCE20V8 has been designed with the capability to reset during system power-up. Following power-up, all flip-flops will be reset to LOW. The output state will be HIGH independent of the logic polarity. This feature provides extra flexibility to the designer and is especially valuable in simplifying state machine initialization. A timing diagram and parameter table are shown below. Due to the synchronous operation of the power-up reset and the wide range of ways V_{CC} can rise to its steady state, two conditions are required to ensure a valid power-up reset. These conditions are:

- ◆ The V_{CC} rise must be monotonic.
- ◆ Following reset, the clock input must not be driven from LOW to HIGH until all applicable input and feedback setup times are met.

| Parameter Symbol | Parameter Descriptions | Min | Max | Unit |
|------------------|------------------------------|-------------------------------|------|------|
| t_{PR} | Power-Up Reset Time | | 1000 | ns |
| t_S | Input or Feedback Setup Time | See Switching Characteristics | | |
| t_{WL} | Clock Width LOW | | | |

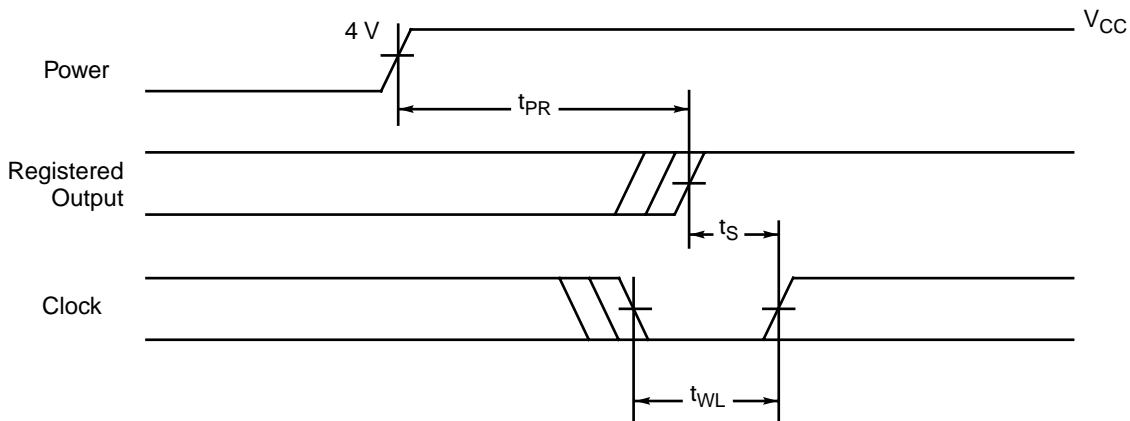


Figure 2. Power-Up Reset Waveform

16491E-15

TYPICAL THERMAL CHARACTERISTICS

Measured at 25°C ambient. These parameters are not tested.

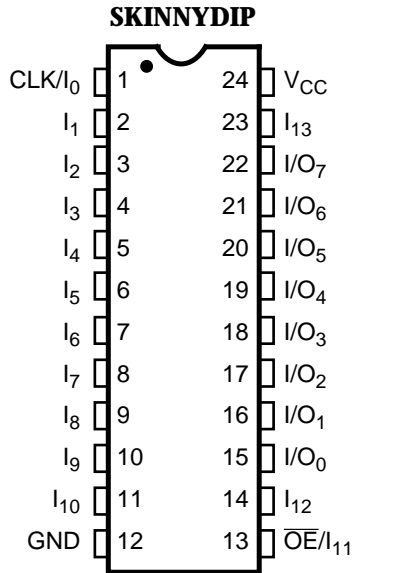
| Parameter Symbol | Parameter Description | | Typ | | Unit |
|------------------|--|-------------|------|------|------|
| | | | PDID | PLCC | |
| θ_{jc} | Thermal impedance, junction to case | | 19 | 19 | °C/W |
| θ_{ja} | Thermal impedance, junction to ambient | | 73 | 55 | °C/W |
| θ_{jma} | Thermal impedance, junction to ambient with air flow | 200 lfm air | 61 | 45 | °C/W |
| | | 400 lfm air | 53 | 41 | °C/W |
| | | 600 lfm air | 50 | 38 | °C/W |
| | | 800 lfm air | 47 | 36 | °C/W |

Plastic θ_{jc} Considerations

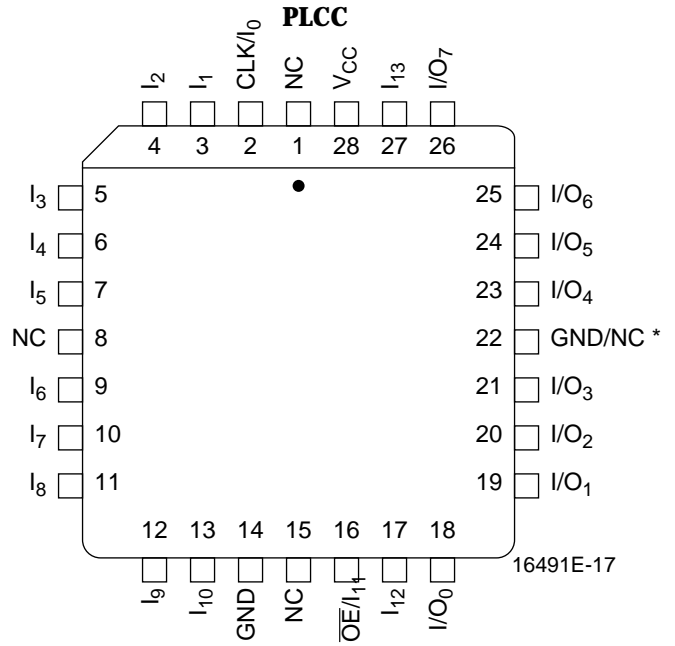
The data listed for plastic θ_{jc} are for reference only and are not recommended for use in calculating junction temperatures. The heat-flow paths in plastic-encapsulated devices are complex, making the θ_{jc} measurement relative to a specific location on the package surface. Tests indicate this measurement reference point is directly below the die-attach area on the bottom center of the package. Furthermore, θ_{jc} tests on packages are performed in a constant-temperature bath, keeping the package surface at a constant temperature. Therefore, the measurements can only be used in a similar environment.

CONNECTION DIAGRAMS

Top View



Note:
Pin 1 is marked for orientation.



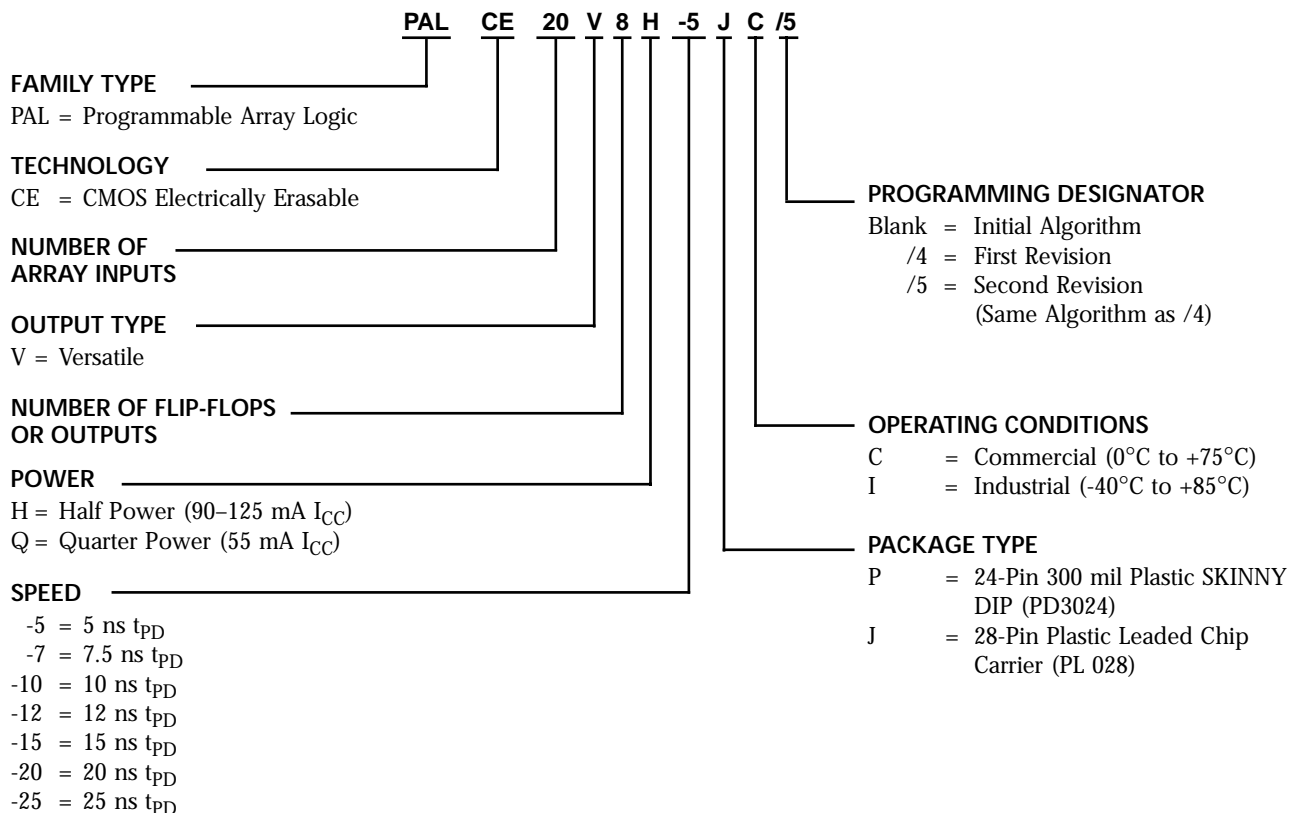
PIN DESIGNATIONS

- | | |
|--------------------|----------------------------------|
| CLK = Clock | NC = No Connect |
| GND = Ground | OE = Output Enable |
| I = Input | V _{CC} = Supply Voltage |
| I/O = Input/Output | |

ORDERING INFORMATION

Commercial and Industrial Products

Lattice/Vantis programmable logic products for commercial and industrial applications are available with several ordering options. The order number (Valid Combination) is formed by a combination of:



| Valid Combinations | | |
|--------------------|----------------|----|
| PALCE20V8H-5 | JC | /5 |
| PALCE20V8H-7 | PC, JC | |
| PALCE20V8H-10 | | |
| PALCE20V8H-15 | PC, JC, PI, JI | /4 |
| PALCE20V8Q-15 | PC, JC | |
| PALCE20V8Q-20 | PI, JI | |
| PALCE20V8H-25 | PC, JC, PI, JI | |
| PALCE20V8Q-25 | | |

Valid Combinations

Valid Combinations list configurations planned to be supported in volume for this device. Consult the local Lattice/Vantis sales office to confirm availability of specific valid combinations and to check on newly released combinations.