

ORCA[®] ORT4622 Field-Programmable System Chip (FPSC) Four-Channel x 622 Mb/s Backplane Transceiver

Discontinued Product (PCN#03-08). Contact Rochester Electronics for Availability.
www.latticesemi.com/sales/discontinueddevicessales.cfm

Introduction

Lattice has developed a solution for designers who need the many advantages of FPGA-based design implementation, coupled with high-speed serial backplane data transfer. The 622 Mb/s backplane transceiver offers a clockless, high-speed interface for interdevice communication on a board or across a backplane. The built-in clock recovery of the ORT4622 allows for higher system performance, easier-to-design clock domains in a multiboard system, and fewer signals on the backplane. Network designers will benefit from the backplane transceiver as a network termination device. The backplane transceiver offers SONET scrambling/descrambling of data and streamlined SONET framing, pointer moving, and transport overhead handling, plus the programmable logic to terminate the network into proprietary systems. For non-SONET applications, all SONET functionality is hidden from the user and no prior networking knowledge is required.

Embedded Core Features

- Implemented in an *ORCA* Series 3 FPGA array.
- Allows wide range of applications for SONET network termination application as well as generic data moving for high-speed backplane data transfer.
- No knowledge of SONET/SDH needed in generic applications. Simply supply data, 78 MHz clock, and a frame pulse.
- High-speed interface (HSI) function for clock/data recovery serial backplane data transfer without external clocks.

- HSI function uses Lattice's proven 622 Mb/s serial interface core.
- Four-channel HSI function provides 622 Mb/s serial interface per channel for a total chip bandwidth of 2.5 Gb/s (full duplex).
- LVDS I/Os compliant with *EIA*^{*}-644, support hot insertion.
- 8:1 data multiplexing/demultiplexing for 77.76 MHz byte-wide data processing in FPGA logic.
- On-chip phase-lock loop (PLL) clock meets B jitter tolerance specification of ITU-T Recommendation G.958 (0.6 UI-P at 250 kHz).
- Powerdown option of HSI receiver on a per-channel basis.
- Highly efficient implementation with only 3% overhead vs. 25% for 8B10B coding.
- In-Band management and configuration.
- Streamlined pointer processor (pointer mover) for 8 kHz frame alignment to system clocks.
- Built-in boundary scan (*IEEE*[†] 1149.1 JTAG).
- FIFOs align incoming data across all four channels for STS-48 (2.5 Gb/s) operation (in quad STS-12 format).
- 1 + 1 protection supports STS-12/STS-48 redundancy by either software or hardware control for protection switching applications.

* *EIA* is a registered trademark of Electronic Industries Association.

† *IEEE* is a registered trademark of The Institute of Electrical and Electronics Engineers, Inc.

Table 1. *ORCA* ORT4622 Available FPGA Logic

Device	Usable System Gates [‡]	Number of LUTs	Number of Registers	Max User RAM	Max User I/Os	Array Size	Number of PFUs
ORT4622	60K—120K	4032	5304	64K	259	18 x 28	504

‡ The embedded core and interface are not included in the above gate counts. The usable gate count range from a logic-only gate count to a gate count assuming 30% of the PFUs/SLICs being used as RAMs. The logic-only gate count includes each PFU/SLIC (counted as 108 gates per PFU/SLIC), including 12 gates pre-LUT/FF pair (eight per PFU), and 12 gates per SLC/FF pair (one per PFU). Each of the four PIOs per PIC is counted as 16 gates (two FFs, fast-capture latch, output logic, CLK drivers, and I/O buffers). PFUs used as RAM are counted at four gates per bit, with each PFU capable of implementing a 32 x 4 RAM (or 512 gates) per PFU.

Table of Contents

Contents	Page	Contents	Page
Introduction	1	Power Supply Decoupling LC Circuit	41
Embedded Core Features	1	LVDS I/O	42
FPSC Highlights	3	LVDS Receiver Buffer Requirements	43
Software Support	3	Timing Characteristics	44
Description	4	Description	44
What Is an FPSC?	4	PFU Timing	45
FPSC Overview	4	PLC Timing	45
FPSC Gate Counting	4	SLIC Timing	45
FPGA/Embedded Core Interface	4	PIO Timing	45
ispLEVER Development System	4	Special Function Timing	45
FPSC Design Kit	5	Clock Timing	45
FPGA Logic Overview	5	Configuration Timing	45
PLC Logic	5	Readback Timing	45
PIC Logic	6	Input/Output Buffer Measurement Conditions	
System Features	6	(on-LVDS Buffer)	55
Routing	6	FPGA Output Buffer Characteristics	56
Configuration	6	LVDS Buffer Characteristics	57
More Series 3 Information	6	Termination Resistor	57
ORT4622 Overview	7	LVDS Driver Buffer Capabilities	57
Device Layout	7	Estimating Power Dissipation	58
Backplane Transceiver Interface	7	ORT4622 Clock Power	58
HSI Interface	9	Pin Information	59
STM Macrocell	9	Package Thermal Characteristics Summary	74
CPU Interface	9	Θ JA	74
FPGA Interface	9	ψ JC	74
FPSC Configuration	11	Θ JC	74
Generic Backplane Transceiver		Θ JB	74
Application	11	FPGA Maximum Junction Temperature	74
Backplane Transceiver Core Detailed Description	12	Package Thermal Characteristics	75
HSI Macro	12	Package Coplanarity	75
STM Transmitter (FPGA -> Backplane)	14	Package Parasitics	75
STM Receiver (Backplane -> FPGA)	18	Package Outline Diagrams	77
Powerdown Mode	24	Terms and Definitions	77
Redundancy and Protection Switching	24	432-Pin EBGA	78
Memory Map	25	Ordering Information	79
Definition of Register Types	25		
Memory Map Overview	26		
Powerup Sequencing for ORT4622 Device	34		
FPGA Configuration Data Format	35		
Using ispLEVER to Generate Configuration RAM			
Data	35		
FPGA Configuration Data Frame	35		
Bit Stream Error Checking	37		
FPGA Configuration Modes	37		
Absolute Maximum Ratings	38		
Recommend Operating Conditions	38		
Electrical Characteristics	39		
HSI Circuit Specifications	40		
Input Data	40		
Jitter Tolerance	40		
Generated Output Jitter	40		
PLL	40		
Input Reference Clock	40		

Discontinued Product (PCN#03-08). Contact Rochester Electronics for Availability.
www.latticesemi.com/sales/discontinueddevicessales.cfm

Embedded Core Features (continued)

- Pseudo-SONET protocol including A1/A2 framing.
- SONET scrambling and descrambling for required ones density (optional).
- Selected transport overhead (TOH) bytes insertion and extraction for interdevice communication via the TOH serial link.

FPSC Highlights

- Implemented as an embedded core in the *ORCA* Series 3+ FPSC architecture.
- Allows the user to integrate the core with up to 120K gates of programmable logic (all in one device) and provides up to 242 user I/Os in addition to the embedded core I/O pins.
- FPGA portion retains all of the features of the *ORCA* Series 3 FPGA architecture:
 - High-performance, cost-effective, 0.25 μm , 5-level metal technology.
 - Twin-quad programmable function unit (PFU) architecture with eight 16-bit look-up tables (LUTs) per PFU, organized in two nibbles for use in nibble- or byte-wide functions. Allows for mixed arithmetic and logic functions in a single PFU.
 - Softwired LUTs (SWL) allow fast cascading of up to three levels of LUT logic in a single PFU.
 - Supplemental logic and interconnect cell (SLIC) provides 3-statable buffers, up to 10-bit decoder, and *PAL**-like AND-OR-INVERT (AOI) in each programmable logic cell (PLC).
 - Up to three ExpressCLK inputs allow extremely fast clocking of signals on- and off-chip plus access to internal general clock routing.
 - Dual-use microprocessor interface (MPI) can be used for configuration, as well as for a general-purpose interface to the FPGA. Glueless interface to *i960*† and *PowerPC*‡ processors with user-configurable address space provided.
 - Programmable clock manager (PCM) adjusts clock phase and duty cycle for input clock rates from 5 MHz to 120 MHz. The PCM may be com-

— bined with FPGA logic to create complex functions, such as digital phase-locked loops, frequency counters, and frequency synthesizers or clock doublers. Two PCMs are provided per device.

- True internal 3-state, bidirectional buses with simple control provided by the SLIC.
- 32 x 4 RAM per PFU, configurable as single or dual port. Create large, fast RAM/ROM blocks (128 x 8 in only eight PFUs) using the SLIC decoders as bank drivers.
- Built-in boundary scan (*IEEE*1149.1 JTAG) and TS_ALL testability function to 3-state all I/O pins.

- High-speed, on-chip interface provided between FPGA logic and embedded core to reduce bottlenecks typically found when interfacing off-chip.

Software Support

- Supported by ispLEVER software and third-party CAE tools for implementing *ORCA* Series 3+ devices and simulation/timing analysis with the embedded core functions.
- Embedded core configuration options and simulation netlists generated by FPSC Configuration Manager utility.

* *PAL* is a trademark of Advanced Micro Devices, Inc.

† *i960* is a registered trademark of Intel Corporation.

‡ *PowerPC* is a registered trademark of International Business Machines Corporation.

Description

What Is an FPSC?

FPSCs, or field-programmable system chips, are devices that combine field-programmable logic with ASIC or mask-programmed logic on a single device. FPSCs provide the time to market and flexibility of FPGAs, the design effort savings of using soft intellectual property (IP) cores, and the speed, design density, and economy of ASICs.

FPSC Overview

Lattice's Series 3+ FPSCs are created from Series 3 *ORCA* FPGAs. To create a Series 3+ FPSC, several rows of programmable logic cells (see FPGA Logic Overview section for FPGA logic details) are removed from a Series 3 *ORCA* FPGA, and the area is replaced with an embedded logic core. Other than replacing some FPGA gates with ASIC gates, at greater than 10:1 efficiency, none of the FPGA functionality is changed—all of the Series 3 FPGA capability is retained: MPI, PCMs, boundary scan, etc. The rows of programmable logic are replaced at the bottom of the device, allowing pins on the bottom and sides of the replaced rows to be used as I/O pins for the embedded core. The remainder of the device pins retain their FPGA functionality as do special function FPGA pins within the embedded core area.

FPSC Gate Counting

The total gate count for an FPSC is the sum of its embedded core (standard-cell/ASIC gates) and its FPGA gates. Because FPGA gates are generally expressed as a usable range with a nominal value, the total FPSC gate count is sometimes expressed in the same manner. Standard-cell ASIC gates are, however, 10 to 25 times more silicon area efficient than FPGA gates. Therefore, an FPSC with an embedded function is gate equivalent to an FPGA with a much larger gate count.

FPGA/Embedded Core Interface

The interface between the FPGA logic and the embedded core is designed to look like FPGA I/Os from the FPGA side, simplifying interface signal routing and providing a unified approach with general FPGA design. Effectively, the FPGA is designed as if signals were going off of the device to the embedded core, but the on-chip interface is much faster than going off-chip and requires less power. All of the delays for the interface are precharacterized and accounted for in ispLEVER software.

Clock spines also can pass across the FPGA/embedded core boundary. This allows for fast, low-skew clocking between the FPGA and the embedded core. Many of the special signals from the FPGA, such as DONE and global set/reset, are also available to the embedded core, making it possible to fully integrate the embedded core with the FPGA as a system.

For even greater system flexibility, FPGA configuration RAMs are available for use by the embedded core. This allows for user-programmable options in the embedded core, in turn allowing for greater flexibility. Multiple embedded core configurations may be designed into a single device with user-programmable control over which configurations are implemented, as well as the capability to change core functionality simply by reconfiguring the device.

ispLEVER Development System

ispLEVER software is used to process a design from a netlist to a configured FPSC. This system is used to map a design onto the *ORCA* architecture and then place and route it using ispLEVER software's timing-driven tools. The development system also includes interfaces to, and libraries for, other popular CAE tools for design entry, synthesis, simulation, and timing analysis.

The ispLEVER Development System interfaces to front-end design entry tools and provides the tools to produce a configured FPSC. In the design flow, the user defines the functionality of the FPGA portion of the FPSC and embedded core settings at two points in the design flow: at design entry and at the bit stream generation stage. Following design entry, the development system's map, place, and route tools translate the netlist into a routed FPSC. A static timing analysis tool is provided to determine device speed, and a back-annotated netlist can be created to allow simulation.

Description (continued)

Timing and simulation output files from ispLEVER are also compatible with many third-party analysis tools. Its bit stream generator is then used to generate the configuration data which is loaded into the FPSC's internal configuration RAM.

When using the bit stream generator, the user selects options that affect the functionality of the FPSC. Combined with the front-end tools, ispLEVER produces configuration data that implements the various logic and routing options discussed in this data sheet.

FPSC Design Kit

Development is facilitated by an FPSC design kit which, together with ispLEVER and third-party synthesis and simulation engines, provides all software and documentation required to design and verify an FPSC implementation. Included in the kit are the FPSC configuration manager, HDL gate-level structural netlists, all necessary synthesis libraries, and complete online documentation. The kit's software couples with ispLEVER, providing a seamless FPSC design environment. More information can be obtained by visiting the *ORCA* website or contacting a local sales office, both listed on the last page of this document.

FPGA Logic Overview

ORCA Series 3 FPGA logic is a new generation of SRAM-based FPGA logic built on the successful Series 2 FPGA line, with enhancements and innovations geared toward today's high-speed designs on a single chip. Designed from the start to be synthesis friendly and to reduce place and route times while maintaining the complete routability of the *ORCA* Series 2 devices, the Series 3 more than doubles the logic available in each logic block and incorporates system-level features that can further reduce logic requirements and increase system speed. *ORCA* Series 3 devices contain many new patented enhancements and are offered in a variety of packages, speed grades, and temperature ranges.

ORCA Series 3 FPGA logic consists of three basic elements: programmable logic cells (PLCs), programmable input/output cells (PICs), and system-level features. An array of PLCs is surrounded by PICs. Each PLC contains a programmable function unit (PFU), a supplemental logic and interconnect cell (SLIC), local routing resources, and configuration RAM. Most of the FPGA logic is performed in the PFU, but decoders, *PAL*-like functions, and 3-state buffering can be performed in the SLIC. The PICs provide device inputs and outputs and can be used to register signals and to perform input demultiplexing, output multiplexing, and other functions on two output signals. Some of the system-level functions include the new microprocessor interface (MPI) and the programmable clock manager (PCM).

PLC Logic

Each PFU within a PLC contains eight 4-input (16-bit) look-up tables (LUTs), eight latches/flip-flops (FFs), and one additional flip-flop that may be used independently or with arithmetic functions.

The PFU is organized in a twin-quad fashion: two sets of four LUTs and FFs that can be controlled independently. LUTs may also be combined for use in arithmetic functions using fast-carry chain logic in either 4-bit or 8-bit modes. The carry-out of either mode may be registered in the ninth FF for pipelining. Each PFU may also be configured as a synchronous 32 x 4 single- or dual-port RAM or ROM. The FFs (or latches) may obtain input from LUT outputs or directly from invertible PFU inputs, or they can be tied high or tied low. The FFs also have programmable clock polarity, clock enables, and local set/reset.

The SLIC is connected to PLC routing resources and to the outputs of the PFU. It contains 3-state, bidirectional buffers and logic to perform up to a 10-bit AND function for decoding, or an AND-OR with optional INVERT (AOI) to perform *PAL*-like functions. The 3-state drivers in the SLIC and their direct connections to the PFU outputs make fast, true 3-state buses possible within the FPGA logic, reducing required routing and allowing for real-world system performance.

**Discontinued Product (PCN#03-08). Contact Rochester Electronics for Availability.
www.latticesemi.com/sales/discontinueddevicessales.cfm**

Description (continued)

PIC Logic

The Series 3 PIC addresses the demand for ever-increasing system clock speeds. Each PIC contains four programmable inputs/outputs (PIOs) and routing resources. On the input side, each PIO contains a fast-capture latch that is clocked by an ExpressCLK. This latch is followed by a latch/FF that is clocked by a system clock from the internal general clock routing. The combination provides for very low setup requirements and zero hold times for signals coming on-chip. It may also be used to demultiplex an input signal, such as a multiplexed address/data signal, and register the signals without explicitly building a demultiplexer. Two input signals are available to the PLC array from each PIO, and the *ORCA* Series 2 capability to use any input pin as a clock or other global input is maintained.

On the output side of each PIO, two outputs from the PLC array can be routed to each output flip-flop, and logic can be associated with each I/O pad. The output logic associated with each pad allows for multiplexing of output signals and other functions of two output signals.

The output FF, in combination with output signal multiplexing, is particularly useful for registering address signals to be multiplexed with data, allowing a full clock cycle for the data to propagate to the output. The I/O buffer associated with each pad is the same as the *ORCA* Series 3 buffer.

System Features

The Series 3 also provides system-level functionality by means of its dual-use microprocessor interface (MPI) and its innovative programmable clock manager (PCM). These functional blocks allow for easy glueless system interfacing and the capability to adjust to varying conditions in today's high-speed systems. Since these and all other Series 3 features are available in every Series 3+ FPSC, they can also interface to the embedded core providing for easier system integration.

Routing

The abundant routing resources of *ORCA* Series 3 FPGA logic are organized to route signals individually or as buses with related control signals. Clocks are routed on a low-skew, high-speed distribution network and may be sourced from PLC logic, externally from any I/O pad, or from the very fast ExpressCLK pins. ExpressCLKs may be glitchlessly and independently enabled and disabled with a programmable control signal using the StopCLK feature. The improved PIC routing resources are now similar to the patented intra-PLC routing resources and provide great flexibility in moving signals to and from the PIOs. This flexibility translates into an improved capability to route designs at the required speeds when the I/O signals have been locked to specific pins.

Configuration

The FPGA logic's functionality is determined by internal configuration RAM. The FPGA logic's internal initialization/configuration circuitry loads the configuration data at powerup or under system control. The RAM is loaded by using one of several configuration modes, including serial EEPROM, the microprocessor interface, or the embedded function core.

More Series 3 Information

For more information on Series 3 FPGAs, please refer to the Series 3 FPGA data sheet, available on the Lattice website.

ORT4622 Overview

Device Layout

The ORT4622 FPSC provides a high-speed backplane transceiver combined with FPGA logic. The device is based on a 2.5 V 3.3 V I/O OR3L125B FPGA. The OR3L125B has a 28 x 28 array of programmable logic cells (PLCs). For the ORT4622, the bottom ten rows of PLCs in the array were replaced with the embedded backplane transceiver core. The ORT4622 embedded core comprises the HSI macrocell, the synchronous transport module (STM) macrocell, a CPU interface, and LVDS I/Os. The four full-duplex channels perform data transfer, scrambling/descrambling and framing at the rate of 622 Mb/s. Figure 1 shows the ORT4622 block diagram.

Table 2 shows a schematic view of the ORT4622. The upper portion of the device is an 18 x 28 array of PLCs surrounded on the left, top, and right by programmable input/output cells (PICs). At the bottom of the PLC array are the core interface cells (CICs) connecting to the embedded core region. The embedded core region contains the backplane transceiver functionality of the device. It is surrounded on the left, bottom, and right by backplane transceiver dedicated I/Os as well as power and special function FPGA pins. Also shown are the interquad routing blocks (hIQ, vIQ) present in the Series 3 FPGA devices. System-level functions (located in the corners of the PLC array), routing resources, and configuration RAM are not shown in Table 2.

Backplane Transceiver Interface

The advantage of the ORT4622 FPSC is to bring specific networking functions to an early market presence with programmable logic in FPGA system.

The 622 Mb/s backplane transceiver core allows the ORT4622 to communicate across a backplane or on a given board at an aggregate speed of 2.5 Gb/s, providing a physical medium for high-speed asynchronous serial data transfer between system devices. This device is intended for, but not limited to, connecting terminal equipment in SONET/SDH and ATM systems.

For networking applications, the ORT4622 offers a pseudo SONET framer and scrambler/descrambler interface capable of frame synchronization and insertion/extraction of selectable transport overhead bytes and SONET scrambling and descrambling for four STS-12 (622 Mb/s) channels. The channels are synchronized to each other by a user-provided 8 kHz frame pulse. The ORT4622 also provides STS-48 (2.5 Gb/s) operation across all four channels where each channel is in STS-12 format. The pseudo-SONET framer of OR4622 is designed with a reduced set of the SONET framing algorithm. The pointer processing capability is more suitable for low error rate intersystem data communication, particular for backplane transceiver applications. Figure 2 shows the architecture of the ORT4622 backplane transceiver core.

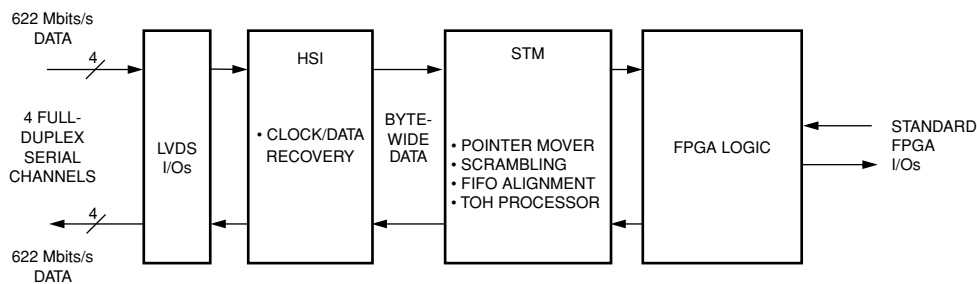


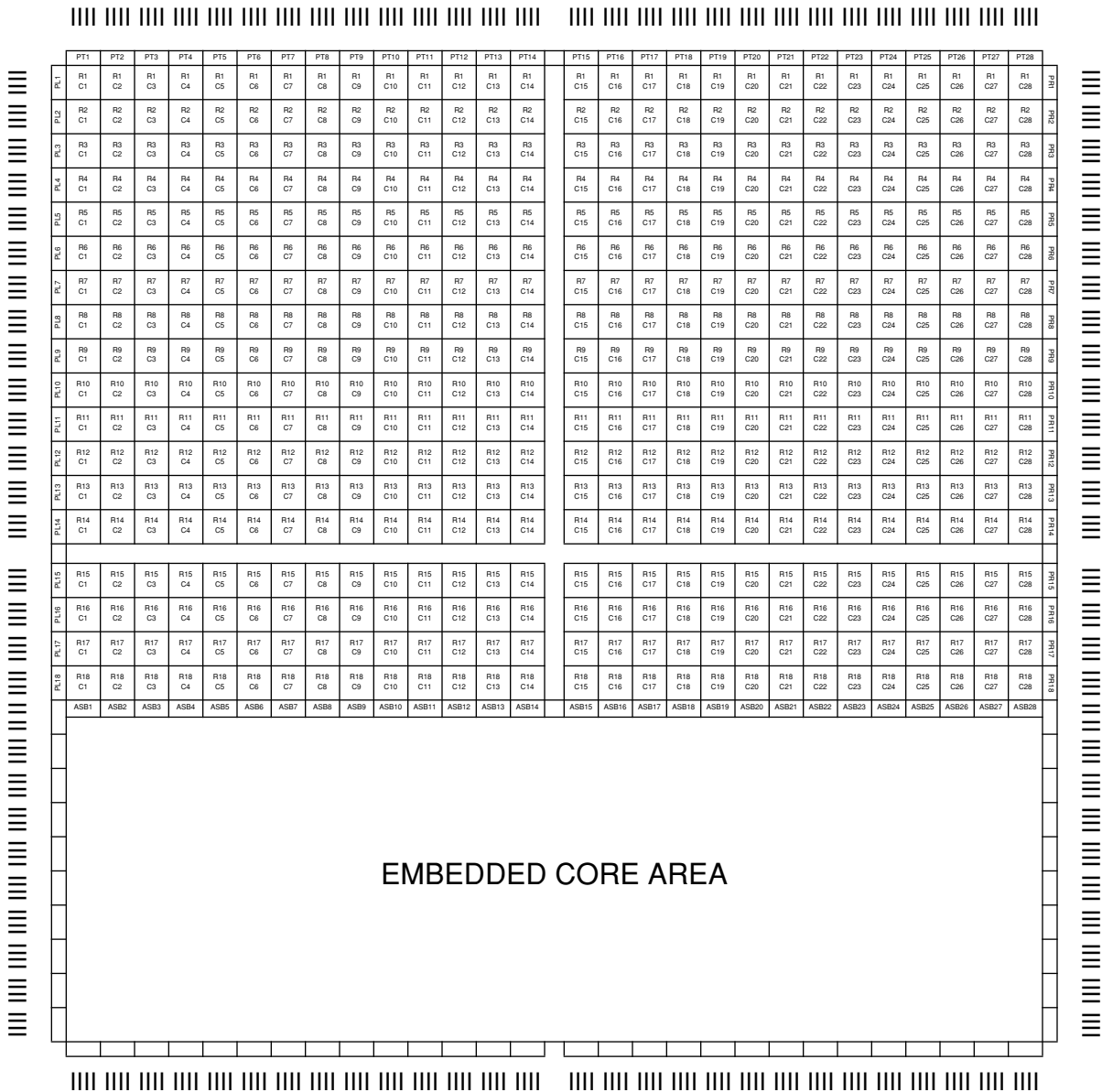
Figure 1. ORCA ORT4622 Block Diagram

5-8113(F)

Discontinued Product (PCN#03-08). Contact Rochester Electronics for Availability.
www.latticesemi.com/sales/discontinueddevicessales.cfm

ORT4622 Overview (continued)

Table 2. ORT4622 Array



EMBEDDED CORE AREA

Discontinued Product (PCN#03-08). Contact Rochester Electronics for Availability.
www.latticesemi.com/sales/discontinueddevicesales.cfm

ORT4622 Overview (continued)

HSI Interface

The high-speed interconnect (HSI) macrocell is used for clock/data recovery and MUX/deMUX between 77.76 MHz byte-wide internal data buses and 622 Mb/s external serial links.

The HSI interface receives four 622 Mb/s serial input data streams from the LVDS inputs and provides four independent 77.76 MHz byte-wide data streams and recovered clock to the STM macro. There is no requirement for bit alignment since SONET type framing will take place inside the ORT4622 core. For transmit, the HSI converts four byte-wide 77.76 MHz data streams to serial streams at 622 Mb/s at the LVDS outputs.

STM Macrocell

The STM portion of the embedded core consists of transmitter (Tx) and receiver (Rx) sections. The receiver receives four byte-wide data streams at 77.76 MHz and the associated clocks from the HSI. In the Rx section, the incoming streams are SONET framed and descrambled before they are written into a FIFO which absorbs phase and delay variations and allows the shift to the system clock. The TOH is then extracted and sent out on the four serial ports. The pointer Mover consists of three blocks: pointer interpreter, elastic store, and pointer generator. The pointer interpreter finds the synchronous transport signal (STS) synchronous payload envelopes (SPE) and places it into a small elastic store from which the pointer generator will produce four byte-wide STS-12 streams of data that are aligned to the system timing pulse.

In the Tx section, transmitted data for each channel is received through a parallel bus and a serial port from the FPGA circuit. TOH bytes are received from the serial input port and can be optionally inserted from programmable registers or serial inputs to the STS-12 frame via the TOH processor. Each of the four parallel input buses is synchronized to a free-running system clock. Then the SPE and TOH data is transferred to the HSI.

The STM macrocell also has a scrambler/descrambler disable feature, allowing the user to disable the scrambler of the transmitter and the descrambler of the receiver. Also, unused channels can be disabled to reduce power dissipation.

CPU Interface

The embedded core has a dedicated, asynchronous, MPC860 compatible, CPU interface that is used for device setup, control, and monitoring. Dual sets of I/O pins of this CPU interface with a bit stream configurable scheme provide designers a convenient and flexible option for configuration. One set of CPU I/O pins goes off chip allowing direct connection with an onboard CPU. Another set of CPU I/O pins is available to the FPGA logic allowing for a stand-alone system free of an external CPU interface, or for integration into the Series 3 FPGA MPI interface.

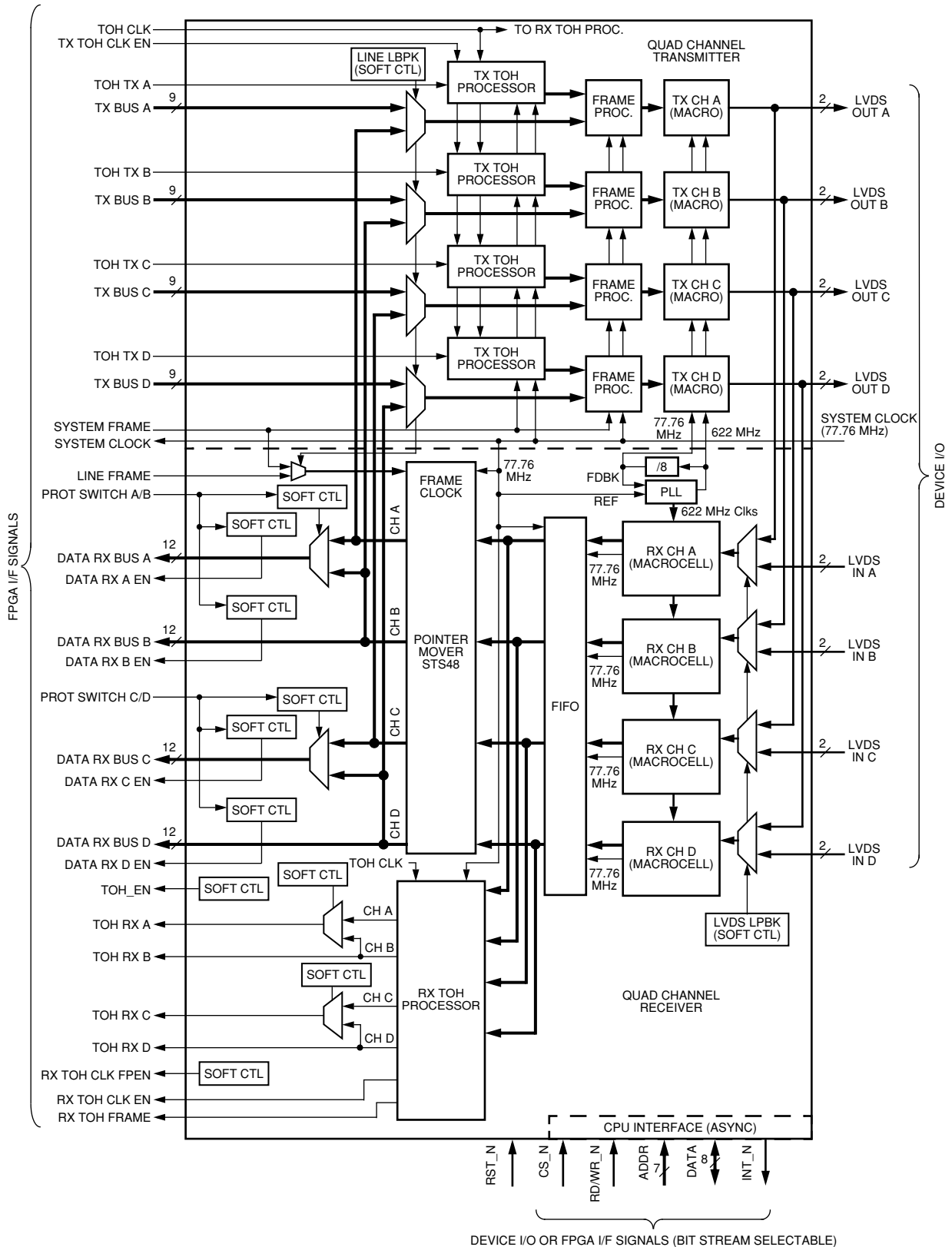
The CPU interface is composed of an 8-bit data bus, a 7-bit address bus, a chip select signal, a read/write signal, and an interrupt signal.

FPGA Interface

The FPGA logic will receive/transmit frame-aligned streams of 77.76 MHz data (maximum of four streams in each direction) from/to the backplane transceiver embedded core. All frames transmitted to the FPGA will be aligned to the FPGA frame pulse which will be provided by the FPGA user's logic to the STM macro. All frames received from the FPGA logic will be aligned to the system frame pulse that will be supplied to the STM macro from the FPGA user's logic.

Discontinued Product (PCN#03-08). Contact Rochester Electronics for Availability.
www.latticesemi.com/sales/discontinueddevicessales.cfm

ORT4622 Overview (continued)



Discontinued Product (PCN#03-08). Contact Rochester Electronics for Availability.
www.latticesemi.com/sales/discontinueddevicesales.cfm

Figure 2. Architecture of ORT4622 Backplane Transceiver

ORT4622 Overview (continued)

FPSC Configuration

Configuration of the ORT4622 occurs in two stages, FPGA bit stream configuration and embedded core setup.

FPGA Configuration

Prior to becoming operational, the FPGA goes through a sequence of states, including powerup initialization, configuration, start-up, and operation. The FPGA logic is configured by standard FPGA bit stream configuration means as discussed in the Series 3 FPGA data sheet. Additionally, for the ORT4622, the location of the CPU interface to the embedded core, either on the device pins or at the FPGA/embedded core boundary, is configured via FPGA configuration and is defined via the ORT4622 design kit. The default configuration sets the CPU interface pins to be active. A simple microprocessor emulation soft Intellectual Property (IP) core that uses very small FPGA logic is available from Lattice. This microprocessor core sets up the embedded core via a state machine and allows the ORT4622 to work in an independent system without an external microprocessor interface.

Embedded Core Setup

The embedded core operation is set up via the embedded core CPU interface. All options for the operation of the core are configured according to the device register map presented in the detailed description section of this data sheet.

During the powerup sequence, the ORT4622 device (FPGA programmable circuit and the core) is held in reset. All the LVDS output buffers and other output buffers are held in 3-state. All flip-flops in core area are in reset state, with the exception of the boundary scan shift registers, which can only be reset by Boundary Scan Reset. After powerup reset, the FPGA can start configuration. During FPGA configuration, the ORT4622 core will be held in reset and all the local bus interface signals are forced high, but the following active-high signals (PROT_SWITCH_A, PROT_SWITCH_C, TX_TOH_CK_EN, SYS_FP, LINE_FP) are forced low. The CORE_READY signal sent from the embedded core to FPGA is held low, indicating core is not ready to interact with FPGA logic. At the end of the FPGA configuration sequence, the CORE_READY signal will be held low for six SYS_CLK cycles after DONE, TRI_IO and RST_N (core global reset) are high. Then it will go active-high, indicating the embedded core is ready to

function and interact with FPGA programmable circuit. During FPGA reconfiguration when DONE and TRI_IO are low, the CORE_READY signal sent from the core to FPGA will be held low again to indicate the embedded core is not ready to interact with FPGA logic. During FPGA partial configuration, CORE_READY stays active. The same FPGA configuration sequence described previously will repeat again.

The initialization of the embedded core consists of two steps: register configuration and synchronization of the alignment FIFO. In order to configure the embedded core, the registers need to be unlocked by writing 0x04 to address 0x04 and writing 0x01 to address 0x05. Control registers 0x04 and 0x05 are lock registers. If the output bus of the data, serial TOH port, and TOH clock and TOH frame pulse are controlled by 3-state registers (the use of the registers for 3-state output control is optional; these output 3-state enable signals are brought across the local bus interface and available to the FPGA side), the next step is to activate the 3-state output bus and signals by taking them to functional state from high-impedance state. This can be done by writing 0x01 to correspond bits of the channel registers 0x20, 0x38, 0x50, and 0x68. If the 3-state control is done in FPGA logic or external logic instead of in the embedded core registers, this step should be done in that particular control logic also.

In addition, the synchronization of selected streams is recommended for some networking systems applications. This is a resync of the alignment FIFO after the enabled channels have a valid frame pulse. Here are the procedures: Put all of the streams to be aligned, including disabled streams, into their required alignment mode. Force AIS-L in all streams to be synchronized (refer to register map, write 0x01 to DB1 of register 0x20, 0x38, 0x50, 0x68). Wait four frames. Write a 0x01 to the FIFO alignment resync register, bit DB1 of register 0x06. Wait four frames. Release the AIS-L in all streams (write 1 to DB1 of register 0x20, 0x38, 0x50, 0x68). This procedure allows normal data flow through the embedded core.

Generic Backplane Transceiver Application

The combination of ORT4622 and soft IP cores provides a generic data moving solution for non-SONET applications. There is no requirement for SONET knowledge to the users. All that is needed is to supply the embedded core interface with data, clock, and a 8 kHz frame pulse. The provision registers may also need to be set up, and this can be done through either the FPGA MPI or in a state machine in the FPGA section (VHDL code available from Lattice).

The 8 kHz frame pulse must be supplied to the SYS_FP signal. For generic applications, the frame pulse can be created in FPGA logic from the 77.76 MHz SYS_CLK using a simple resettable counter (the frame pulse should only be high for one cycle of the SYS_CLK). A VHDL core that automatically provides the 8 kHz frame pulse is available from Lattice. Byte-wide data is then sent to each of the transmit channels as follows: the first 36 bytes transferred will be invalid data (replaced by overhead), where the first byte is sent on the rising edge of SYS_CLK when SYS_FP is high. The next 1044 byte positions can be filled with valid data. This will repeat a total of nine times (36 invalid bytes followed by 1044 valid bytes) at which time the next 8 kHz frame pulse will be found. Thus, 87 out of 90 (96.7%) of the data bytes sent are valid user data.

On the receive side, an 8 kHz pulse must again be supplied to SYS_FP. In this case, however, only the signal DATA_RX*_SPE must be monitored for each channel, where a high value on this signal means valid data. Again 87 out 90 bytes received (96.7%) will be valid data.

In order to provide an easy user interface to transfer arbitrary data streams through the ORT4622, Lattice provides a soft Intellectual Property (IP) core called the protocol independent framer, or PI-Framer. This block transfers user format to the one described above and allows for smoothing/rate transfer of this user data. This framer works with a single channel at 622 Mbits/s, two channels at 1.25 Gbits/s, or across four channels at 2.5 Gbits/s.

Backplane Transceiver Core Detailed Description

HSI Macro

The high-speed interface (HSI) provides a physical medium for high-speed asynchronous serial data transfer between the ORT4622 and other devices. The devices can be mounted on the same board or mounted on different boards and connected through the shelf backplane. The 622 Mbits/s CDR macro is a four-channel clock phase select (CPS) and data retiming function with serial-to-parallel demultiplexing for the incoming data stream and parallel-to-serial multiplexing for outgoing data. The HSI macro consists of three functionally independent blocks: receiver, transmitter, and PLL synthesizer as shown in Figure 3.

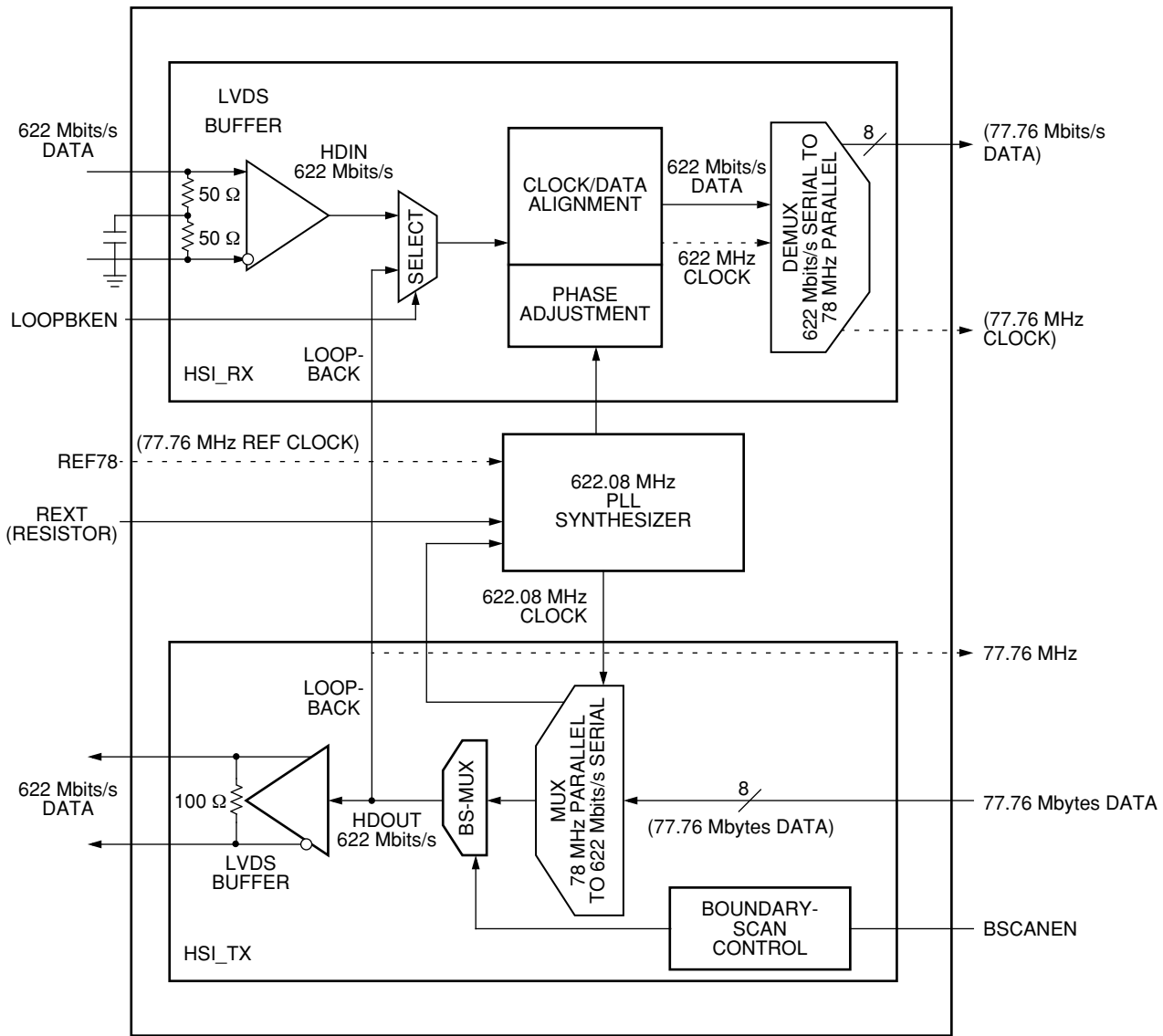
The PLL synthesizer block receives a 77.76 MHz reference clock at its input, and provides a phase-locked 622.08 MHz clock to the transmitter block and phase control signal to the receiver block. The PLL synthesizer block is a common asset shared by four receive and transmit channels.

The HSI receiver receives four channels of differential 622.08 Mbits/s serial data without clock at its LVDS receive inputs. The received data must be scrambled, conforming to SONET STS-12 and SDH STM-4 data formats using either a PN7 or PN9 sequence. The PN7 characteristic polynomial is $1 + x^6 + x^7$, and PN9 characteristic polynomial is $1 + x^4 + x^9$. The ORT4622 supplies a default scrambler using the PN7 sequence. The clock phase select and data retiming (CPS/DR) module performs a clock recovery and data retiming function by using phase control information. The resultant 622.08 Mbits/s data and clock are then passed to the deserializer module, which performs serial-to-parallel conversion and provides a 77.76 Mbits/s parallel data and clock at its output.

The HSI transmitter receives four channels of 77.76 Mbits/s parallel data that is synchronous to the reference clock at its inputs. The serializer performs a parallel-to-serial conversion using a 622.08 MHz clock provided by the PLL/synthesizer block. The 622 Mbits/s serial data streams are then transmitted through the LVDS drivers.

Discontinued Product (PCN#03-08). Contact Rochester Electronics for Availability.
www.latticesemi.com/sales/

Backplane Transceiver Core Detailed Description (continued)



5-8592 (F)

Figure 3. HSI Functional Block Diagram

Discontinued Product (PCN#03-08). Contact Rochester Electronics for Availability.
www.latticesemi.com/sales/discontinueddevicesales.cfm

Backplane Transceiver Core Detailed Description (continued)

STM Transmitter (FPGA -> Backplane)

The STM has four STS-12 transmit channels which can be treated as a single STS-48 channel. In general, the transmitter circuit receives four byte-wide 77.76 MHz data from the FPGA, which nominally represents four STS-12 streams (A, B, C, and D). This data is synchronized to the system (reference) clock, and an 8 kHz system frame pulse from the FPGA logic. Transport overhead bytes are then optionally inserted into these streams, and the streams are forwarded to the HSI. All byte timing pulses required to isolate individual overhead bytes (e.g., A1, A2, B1, D1—D3, etc.) are generated internally based on the system frame pulse (SYS_FP) received from the FPGA logic. All streams operate byte-wide at 77.76 MHz in all modes. The TOH processor operates from 25 MHz to 77.76 MHz and supports the following TOH signals: A1 and A2 insertion and optional corruption; H1, H2, and H3 pass transparently; BIP-8 parity calculation (after scrambling) and B1 byte insertion and optional corruption (before scrambling); optional K1 and K2 insert; optional S1/M0 insert; optional E1/F1/E2 insert; optional section

data communication channel (DCC, D1—D3) and line data communication channel (DCC, D4—D12) insertion (for intercard communications channel); scrambling of outgoing data stream with optional scrambler disabling; and optional stream disabling.

When the ORT4622 is used in nonnetworking applications as a generic high-speed backplane data mover, the TOH serial ports are unused or can be used for slow-speed off-channel communication between devices.

Data received on the parallel bus is optionally scrambled and transferred to LVDS outputs.

Byte Ordering Information

The core supports quad STS-12 mode of operation on the input/output ports. STS-48 is also supported when received in quad STS-12 format. When operating in quad STS-12 mode, each of the independent byte streams carries an entire STS-12 within it. Figure 4 reveals the byte ordering of the individual STS-12 streams and for STS-48 operation. Note that the recovered data will always continue to be in the same order as transmitted.

12	9	6	3	11	8	5	2	10	7	4	1	→ STS-12 A
24	21	18	15	23	20	17	14	22	19	16	13	→ STS-12 B
36	33	30	27	35	32	29	26	34	31	28	25	→ STS-12 C
48	45	42	39	47	44	41	38	46	43	40	37	→ STS-12 D

STS-48 IN QUAD STS-12 FORMAT

1, 12	1, 9	1, 6	1, 3	1, 11	1, 8	1, 5	1, 2	1, 10	1, 7	1, 4	1, 1	→ STS-12 A
2, 12	2, 9	2, 6	2, 3	2, 11	2, 8	2, 5	2, 2	2, 10	2, 7	2, 4	2, 1	→ STS-12 B
3, 12	3, 9	3, 6	3, 3	3, 11	3, 8	3, 5	3, 2	3, 10	3, 7	3, 4	3, 1	→ STS-12 C
4, 12	4, 9	4, 6	4, 3	4, 11	4, 8	4, 5	4, 2	4, 10	4, 7	4, 4	4, 1	→ STS-12 D

QUAD STS-12

5-8574 (F)

Figure 4. Byte Ordering of Input/Output Interface in STS-12 Mode

Discontinued Product (PCN#03-08). Contact Rochester Electronics for Availability.
www.latticesemi.com/sales/discontinueddevicesales.cfm

Backplane Transceiver Core Detailed Description (continued)

Transport Overhead for In Band Communication

The TOH byte can be used for In Band configuration, service, and management since it is carried along the same channel as data. In ORT4622, In Band signaling can be efficiently utilized, since the total cost of overhead is only 3.3%.

Transport Overhead Insertion (Serial Link)

The TOH serial links are used to insert TOH bytes into the transmit data. The transmit TOH data and TOH_CLK_EN get retimed by TOH_CLK in order to meet setup and hold specifications of the device.

The retimed TOH data is shifted into a 288-bit (36-byte by 8-bit) shift register and then multiplexed as an 8-bit bus to be inserted into the byte-wide data stream. Insertion from these serial links or pass-through of TOH from the byte-wide data is under software control.

Transport Overhead Byte Ordering (FPGA to Backplane)

In the transparent mode, SPE and TOH data received on parallel input bus is transferred, unaltered, to the serial LVDS output. However, B1 byte of STS#1 is always replaced with a new calculated value (the 11 bytes following B1 are replaced with all zeros). Also, A1 and A2 bytes of all STS-1s are always regenerated. TOH serial port is not used in the transparent mode of operation.

In the TOH insert mode, SPE bytes are transferred, unaltered, from the input parallel bus to the serial LVDS output. On the other hand, TOH bytes are received from the serial input port and are inserted in the STS-12 frame before being sent to the LVDS output. Although all TOH bytes from the 12 STS-1s are transferred into the device from each serial port, not all of them get inserted in the frame. There are three hard-coded exceptions to the TOH byte insertion:

- Framing bytes (A1/A2 of all STS-1s) are not inserted from the serial input bus. Instead, they can always be regenerated.
- Parity byte (B1 of STS#1) is not inserted from the serial input bus. Instead, it is always recalculated (the 11 bytes following B1 are replaced with all zeros).
- Pointer bytes (H1/H2/H3 of all STS-1s) are not inserted from the serial input bus. Instead, they always flow transparently from parallel input to LVDS output.

In addition to the above hard-coded exceptions, the source of some TOH bytes can be further controlled by software. When configured to be in pass-through mode, the specific bytes must flow transparently from the parallel input. Note that blocks of 12 STS-1 bytes forming an STS-12 are controlled as a whole. There are 15 software controls per channel, as listed below:

- Source of K1 and K2 bytes of the 12 STS-1s (24 bytes) is specified by a control bit (per channel control).
- Source of S1 and M0 bytes of the 12 STS-1s (24 bytes) is specified by a control bit (per channel control).
- Source of E1, F1, E2 bytes of the STS-1s (36 bytes) is specified by a control bit (per channel control).
- Source of D1 bytes of the STS-1s (12 bytes) is specified by a control bit (per channel control).
- Source of D2 bytes of the 12 STS-1s (12 bytes) is specified by a control bit (per channel control).
- Source of D3 bytes of the 12 STS-1s (12 bytes) is specified by a control bit (per channel control).
- Source of D4 bytes of the 12 STS-1s (12 bytes) is specified by a control bit (per channel control).
- Source of D5 bytes of the 12 STS-1s (12 bytes) is specified by a control bit (per channel control).
- Source of D6 bytes of the 12 STS-1s (12 bytes) is specified by a control bit (per channel control).
- Source of D7 bytes of the 12 STS-1s (12 bytes) is specified by a control bit (per channel control).
- Source of D8 bytes of the 12 STS-1s (12 bytes) is specified by a control bit (per channel control).
- Source of D9 bytes of the 12 STS-1s (12 bytes) is specified by a control bit (per channel control).
- Source of D10 bytes of the 12 STS-1s (12 bytes) is specified by a control bit (per channel control).
- Source of D11 bytes of the 12 STS-1s (12 bytes) is specified by a control bit (per channel control).
- Source of D12 bytes of the 12 STS-1s (12 bytes) is specified by a control bit (per channel control).

TOH reconstruction is dependent on the transmitter mode of operation. In the transparent mode of operation, TOH bytes on LVDS output are as shown in Table 3.

Backplane Transceiver Core Detailed Description (continued)

A1/A2 Frame Insert and Testing

The A1 and A2 bytes provide a special framing pattern that indicates where a STS-1 begins in a bit stream. All 12 A1 bytes of each STS-12 are set to 0xF6, and all 12 A2 bytes of the STS-12 are set to 0x28 when not overridden with a user-specified value for testing.

A1/A2 testing (corruption) is controlled per stream by the A1/A2 error insert register. When A1/A2 corruption detection is set for a particular stream, the A1/A2 values in the corrupted A1/A2 value registers are sent for the number of frames defined in the corrupted A1/A2 frame count register. When the corrupted A1/A2 frame count register is set to zero, A1/A2 corruption will continue until the A1/A2 error insert register is cleared.

On a per-device basis, the A1 and A2 byte values are set, as well as the number of frames of corruption. Then, to insert the specified A1/A2 values, each channel has an enable register. When the enable register is set, the A1/A2 values are corrupted for the number specified in the number of frames to corrupt. To insert errors again, the per-channel fault insert register must be cleared, and set again. Only the last A1 and the first A2 are corrupted.

B1 Calculation and Insertion

A bit interleaved parity –8 (BIP-8) error check set for even parity over all the bits of an STS-1 frame. B1 is defined for the first STS-1 in an STS-N only. The B1 calculation block computes a BIP-8 code, using even parity over all bits of the previous STS-12 frame after scrambling and is inserted in the B1 byte of the current STS-12 frame before scrambling. Per-bit B1 corruption is controlled by the force BIP-8 corruption register (register address 0F). For any bit set in this register, the corresponding bit in the calculated BIP-8 is inverted before insertion into the B1 byte position. Each stream has an independent fault insert register that enables the inversion of the B1 bytes. B1 bytes in all other STS-1s in the stream are filled with zeros.

Stream Disable

When disabled via the appropriate bit in the stream enable register, the prescrambled data for a stream is set to all ones, feeding the HSI. The HSI macro is powered down on a per-stream basis, as are its LVDS outputs.

Scrambler

The data stream is scrambled using a frame synchronous scrambler of sequence length 127. The scrambling function can be disabled by software. The generating polynomial for the scrambler is $1 + x^6 + x^7$. This polynomial conforms to the standard SONET STS-12 data format. The scrambler is reset to 1111111 on the first byte of the SPE (byte following the Z0 byte in the twelfth STS-1). That byte and all subsequent bytes to be scrambled are exclusive-ORed, with the output from the byte-wise scrambler. The scrambler runs continuously from that byte on throughout the remainder of the frame. A1, A2, J0, and Z0 bytes are not scrambled.

System Frame Pulse and Line Frame Pulse

System frame pulse (for transmitter) and line frame pulse (for receiver) are generated in FPGA logic. A1/A2 framing is used on the link for locating the 8 kHz frame location. All frames sent to the FPGA are aligned to the FPGA frame pulse LINE_FP which is provided by the FPGA to the STM macro. All frames sent from the FPGA to the STM will be aligned to the frame pulse SYS_FP that is supplied to the STM macro. In either directions, system frame pulse and line frame pulse are active for one system clock cycle, indicating the location of A1 byte of STS#1. They are common to all four channels.

Backplane Transceiver Core Detailed Description (continued)

STM Receiver (Backplane -> FPGA)

The ORT4622 has four receiving channels that can be treated as one STS-48 stream, or treated as independent channels. Incoming data is received through LVDS serial ports at the data rate of 622 Mbits/s. The receiver can handle the data streams with frame offsets of up to ± 12 bytes which would be due to timing skews between cards and along backplane traces. The received data streams are processed in the HSI and the STM, and then passed through the CIC boundary to the FPGA logic.

Framer Block

The framer block, in Figure 5, takes byte-wide data from the HSI, and outputs a byte-aligned, byte-wide data stream and 8 kHz sync pulse. The framer algorithm determines the out-of-frame/in-frame status of the incoming data and will cause interrupts on both an errored frame and an out-of-frame (OOF) state. The framer detects the A1/A2 framing pattern and generates the 8 kHz frame pulse. When the framer detects OOF, it will generate an interrupt. Also, the framer detects an errored frame and increments an A1/A2 frame error counter. The counter can be monitored by a processor to compile performance status on the quality of the backplane.

Because the ORT4622 is intended for use between it and another ORT4622 or other devices via a backplane, there is only one errored frame state. Thus after two transitions are missed, the state machine goes into the OOF state and there is no severely errored frame (SEF) or loss-of-frame (LOF) indication.

B1 Calculate and Descramble (Backplane -> FPGA)

Each Rx block receives byte-wide scrambled 77.76 MHz data and a frame sync from the framer. Since each HSI is independently clocked, the Rx block operates on individual streams. Timing signals required to locate overhead bytes to be extracted are generated internally based on the frame sync. The Rx block produces byte-wide (optionally) descrambled data and an output frame sync for the alignment FIFO block.

The B1 calculation block computes a BIP-8 (Bit Interleaved Parity 8-bits) code, using even parity over all bits of the previous STS-12 frame before descrambling; this value is checked against the B1 byte of the current frame after descrambling. A per-stream B1 error

counter is incremented for each bit that is in error. The error counter may be read via the CPU interface.

Descrambling. The streams are descrambled using a frame synchronous descrambler of sequence length 127 with a generating polynomial of $1 + x^6 + x^7$. The A1/A2 framing bytes, the section trace byte (J0) and the growth bytes (Z0) are not descrambled. The descrambling function can be disabled by software.

AIS-L Insertion. Alarm indication signal (AIS) is a continuous stream of unframed 1s sent to alert downstream equipment that the near-end terminal has failed, lost its signal source, or has been temporarily taken out of service. If enabled in the AIS_L force register, AIS-L is inserted into the received frame by writing all ones for all bytes of the descrambled stream.

AIS-L Insertion on Out-of-Frame. If enabled via a register, AIS-L is inserted into the received frame by writing all ones for all bytes of the descrambled stream when the framer indicates that an out-of-frame condition exists.

Internal Parity Generation

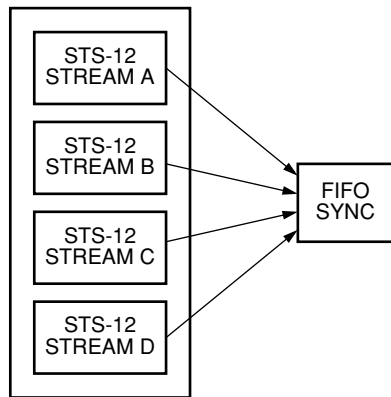
Even parity is generated on all data bytes and is routed in parallel with the data to be checked before the protection switch MUX at the parallel output.

FIFO Alignment (Backplane -> FPGA)

The alignment FIFO allows the transfer of all data to the system clock. The FIFO sync block (Figure 5) allows the system to be configured to allow the frame alignment of multiple slightly varying data streams. This optional alignment ensures that matching STS-12 streams will arrive at the FPGA end in perfect data sync. The frame alignment is configurable to allow for the possibility of fully independent (i.e., total frame misalignment) STS-12s.

Discontinued Product (PCN#03-08). Contact Rochester Electronics for Availability.
www.latticesemi.com/sales/

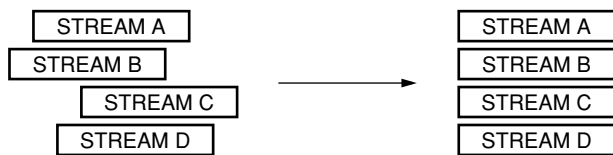
Backplane Transceiver Core Detailed Description (continued)



5-8577 (F)

Figure 5. Interconnect of Streams for FIFO Alignment

The incoming data from the clock and data recovery can be separated into four STS-12 channels (A, B, C, and D). These streams can be frame aligned in the patterns shown in Figure 6.



5-8575 (F)

Figure 6. Alignment of Four STS-12 Streams

There is also a provision to allow certain streams to be disabled (i.e., not producing interrupts or affecting synchronization). These streams can be enabled at a later time without disrupting other streams.

The FIFO block consists of a 24 by 10-bit FIFO per link. This FIFO is used to align up to ± 154.3 ns of interlink skew and to transfer to the system clock. The FIFO sync circuit takes metastable hardened frame pulses from the write control blocks and produces sync signals that indicate when the read control blocks should begin reading from the first FIFO location. On top of the sync signals, this block produces an error indicator which indicates that the signals to be aligned are too far apart for alignment (i.e., greater than 18 clocks apart). Sync and error signals are sent to read control block for alignment. The read control block is synched only once on start-up; any further synchronization is software

controlled. The action of resynching a read control block will always cause loss of data. A register allows the read control block to be resynched.

Link Alignment. The general operation of the link alignment algorithm is to wait 12 clocks (i.e., half the FIFO) from the arriving frame pulse and then signal the read control block to begin reading. For perfectly aligned frame pulses across the links, it is simply a matter of counting down 12 and then signaling the read control block.

The algorithm down counts by one until all of the frame pulses have arrived and then by two when they are all present. For example (Figure 7), if all pulses arrive together, then alignment algorithm would count 24 (12 clocks); if, however, the arriving pulses are spread out over four clocks, then it would count one for the first four pulses and then two per clock afterward, which gives a total of 14 clocks between first frame pulse and the first read. This puts the center of arriving frame pulses at the halfway point in the buffer. This is the extent of the algorithm, and it has no facility for actively correcting problems once they occur.

The write control block receives byte-wide data at 77.76 MHz and a frame pulse two clocks before the first A1 byte of the STS-12 frame. It generates the write address for the FIFO block. The first A1 in every STS-12 stream is written in the same location (address 0) in the FIFO. Also, a frame bit is passed through the FIFO along with the first byte before the first A1 of the STS-12. The read control block synchronizes the reading of the FIFO for streams that are to be aligned. Reading begins when the FIFO sync signals that all of the applicable A1s and the appropriate margin have been written to the FIFO. All of the read blocks to be synchronized begin reading at the same time and same location in memory (address 0).

The alignment algorithm takes the difference between read address and write address to indicate the relative clock alignments between STS-12 streams. If this depth indication exceeds certain limits (12 clocks), then an interrupt is given to the microprocessor (alignment overflow). Each STS-12 stream can be realigned by software if it gets too far out of line (this would cause a loss of data). For background applications that have less than 154.3 ns of interlink skew, misalignment will not occur.

Discontinued Product (PCN#03-08). Contact Rochester Electronics for Availability. www.latticesemi.com/sales/

Backplane Transceiver Core Detailed Description (continued)

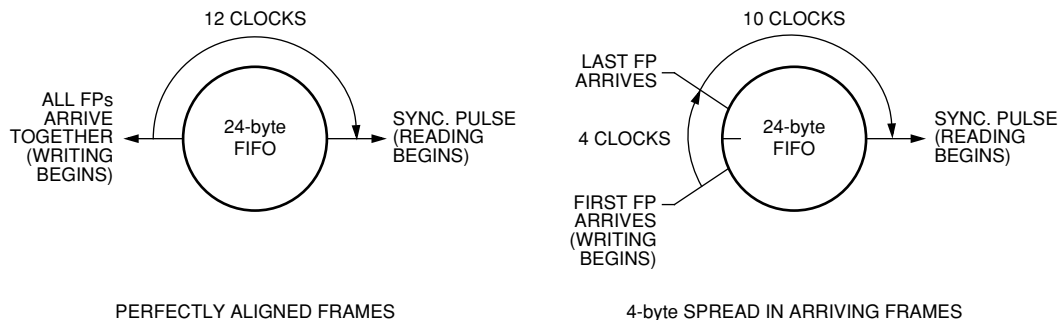


Figure 7. Examples of Link Alignment

5-8584 (F)

Pointer Mover Block (Backplane -> FPGA)

The pointer mover maps incoming frames to the line framing that is supplied by the FPGA logic. The K1/K2 bytes and H1-SS bits are also passed through to the pointer generator so that the FPGA can receive them. The pointer mover handles both concatenations inside the STS-12, and to other STS-12s inside the core.

The pointer mover block can correctly process any length of concatenation of STS frames (multiple of three) as long as it begins on an STS-3 boundary (i.e., STS-1 number one, four, seven, ten, etc.) and is contained within the smaller of STS-3, 12, or 48. See details in Table 5.

Table 5. Valid Starting Positions for an STS-Mc

STS-1 Number	STS-3cSPE	STS-6cSPE	STS-9cSPE	STS-12cSPE	STS-15cSPE	STS-18c to STS-48c SPEs
1	YES	YES	YES	YES	YES	YES
4	YES	YES	YES	NO	YES	—
7	YES	YES	NO	NO	YES	—
10	YES	NO	NO	NO	YES	—
13	YES	YES	YES	YES	YES	—
16	YES	YES	YES	NO	YES	—
19	YES	YES	NO	NO	YES	—
22	YES	NO	NO	NO	YES	—
25	YES	YES	YES	YES	YES	—
28	YES	YES	YES	NO	YES	—
31	YES	YES	NO	NO	YES	—
34	YES	NO	NO	NO	YES	NO
37	YES	YES	YES	YES	NO	NO
40	YES	YES	YES	NO	NO	NO
43	YES	YES	NO	NO	NO	NO
46	YES	NO	NO	NO	NO	NO

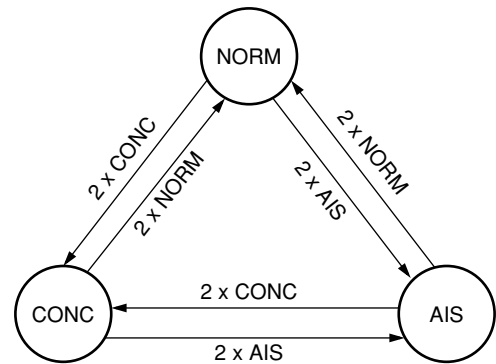
Note: YES = STS-Mc SPE can start in that STS-1.
NO = STS-Mc SPE cannot start in that STS-1.
— = YES or NO, depending on the particular value of M.

Discontinued Product (PCN#03-08). Contact Rochester Electronics for Availability.
www.latticesemi.com/sales/discontinueddevicesales.cfm

Backplane Transceiver Core Detailed Description (continued)

Pointer Interpreter State Machine. The pointer interpreter's highest priority is to maintain accurate data flow (i.e., valid SPE only) into the elastic store. This will ensure that any errors in the pointer value will be corrected by a standard, fully SONET compliant, pointer interpreter without any data hits. This means that error checking for increment, decrement, and new data flag (NDF) (i.e., eight of 10) is maintained in order to ensure accurate data flow. A single valid pointer (i.e., 0—782) that differs from the current pointer will be ignored. Two consecutive incoming valid pointers that differ from the current pointer will cause a reset of the J1 location to the latest pointer value (the generator will then produce an NDF). This block is designed to handle single bit errors without affecting data flow or changing state.

The pointer interpreter has only three states (NORM, AIS, and CONC). NORM state will begin whenever two consecutive NORM pointers are received. If two consecutive NORM pointers are received that both differ from the current offset, then the current offset will be reset to the last received NORM pointer. When the pointer interpreter changes its offset, it causes the pointer generator to receive a J1 value in a new position. When the pointer generator gets an unexpected J1, it resets its offset value to the new location and declares an NDF. The interpreter is only looking for two consecutive pointers that are different from the current value. These two consecutive NORM pointers do not have to have the same value. For example, if the current pointer is ten and a NORM pointer with offset of 15 and a second NORM pointer with offset of 25 are received, then the interpreter will change the current pointer to 25. The receipt of two consecutive CONC pointers causes CONC state to be entered. Once in this state, offset values from the head of the concatenation chain are used to determine the location of the STS SPE for each STS in the chain. Two consecutive AIS pointers cause the AIS state to occur. Any two consecutive normal or concatenation pointers will end this AIS state. This state will cause the data leaving the pointer generator to be overwritten with 0xFF.



5-8589 (F)

Figure 8. Pointer Mover State Machine

Pointer Generator. The pointer generator maps the corresponding bytes into their appropriate location in the outgoing byte stream. The generator also creates offset pointers based on the location of the J1 byte as indicated by the pointer interpreter. The generator will signal NDFs when the interpreter signals that it is coming out of AIS state. The pointer generator resets the pointer value and generates NDF every time a byte marked J1 is read from the elastic store that doesn't match the previous offset.

Increment and decrement signals from the pointer interpreter are latched once per frame on either the F1 or E2 byte times (depending on collisions); this ensures constant values during the H1 through H3 times. The choice of which byte time to do the latching on is made once when the relative frame phases (i.e., received and system) are determined. This latch point is then stable unless the relative framing changes and the received H byte times collide with the system F1 or E2 times, in which case the latch point would be switched to the collision-free byte time.

There is no restriction on how many or how often increments and decrements are processed. Any received increment or decrement is immediately passed to the generator for implementation regardless of when the last pointer adjustment was made. The responsibility for meeting the SONET criteria for maximum frequency of pointer adjustments is left to an upstream pointer processor.

When the interpreter signals an AIS state, the generator will immediately begin sending out 0xFF in place of data and H1, H2, H3. This will continue until the interpreter returns to NORM or CONC (pointer mover state machine) states and a J1 byte is received.

Discontinued Product (PCN#03-08). Contact Rochester Electronics for Availability.
www.latticesemi.com/sales/

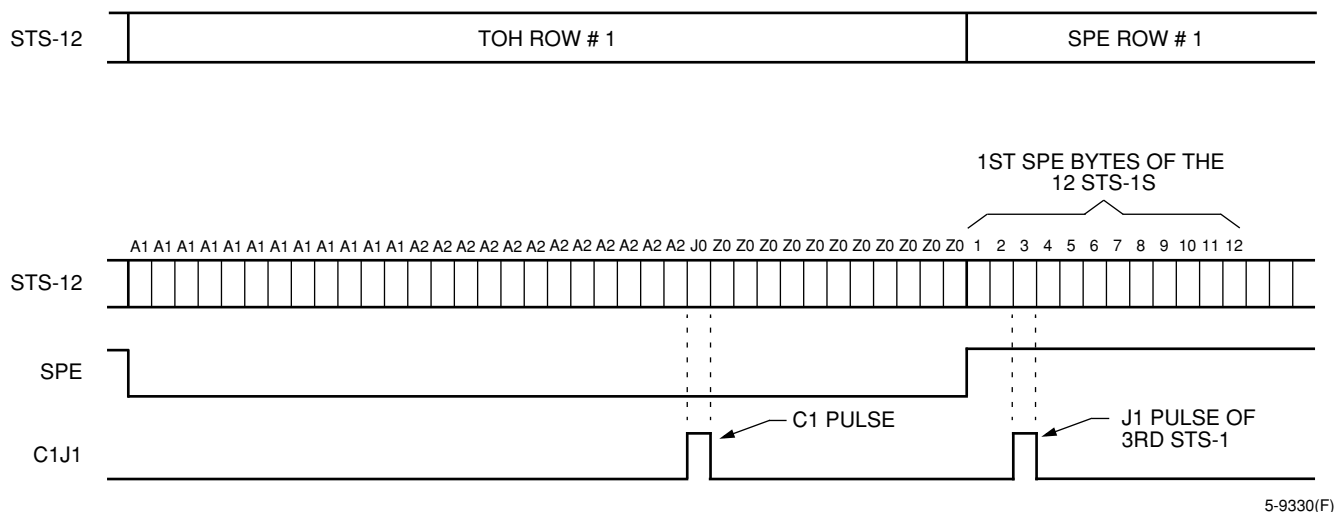
Backplane Transceiver Core Detailed Description (continued)

SPE and C1J1 Outputs. These two signals for each channel are passed to the FPGA logic to allow a pointer processor or other function to extract payload without interpreting the pointers. For the ORT4622, each frame has 12 STS-1s. In the SPE region, there are 12 J1 pulses for each STS-1s. There is one C1(J0, new SONET specifications use J0 instead of C1 as section trace to identify each STS-1 in an STS-N) pulse in the TOH area for one frame. Thus, there is a total of 12 J1 pulses and one C1(J0) pulse per frame. C1(J0) pulse is coincident with the J0 of STS1 #1. In each frame, the SPE flag is active when the data stream is in SPE area. SPE behavior is dependent on pointer movement and concatenation. Note that in the TOH area, H3 can also carry valid data. When valid SPE data is carried in this H3 slot, SPE is high in this particular TOH time slot. In the SPE region, if there is no valid data during any SPE column, the SPE signal will be set to low. SPE allow a pointer processor to extract payload without interpreting the pointers. The SPE and C1J1 functionality are described in Table 7. For generic data operation, valid data is available when SPE is 1 and the C1J1 signal is ignored.

Table 7. SPE and C1J1 Functionality

SPE	C1J1	Description
0	0	TOH information excluding C1(J0) of STS1 #1.
0	1	Position of C1(J0) of STS1 #1 (one per frame). Typically used to provide a unique link identification (256 possible unique links) to help ensure cards are connected into the backplane correctly or cables are connected correctly.
1	0	SPE information excluding the 12 J1 bytes.
1	1	Position of the 12 J1 bytes.

Note: The following rules are observed for generating SPE and C1J1 signals: on occurrence of AIS-P on any of the STS-1, there is no corresponding J1 pulse. In case of concatenated payloads (up to STS48c), only the head STS-1 of the group has an associated J1 pulse. C1J1 signal tracks any pointer movements. During a negative justification event, SPE is set high during the H3 byte to indicate that payload data is available. During a positive justification event, SPE is set low during the positive stuff opportunity byte to indicate that payload data is not available.

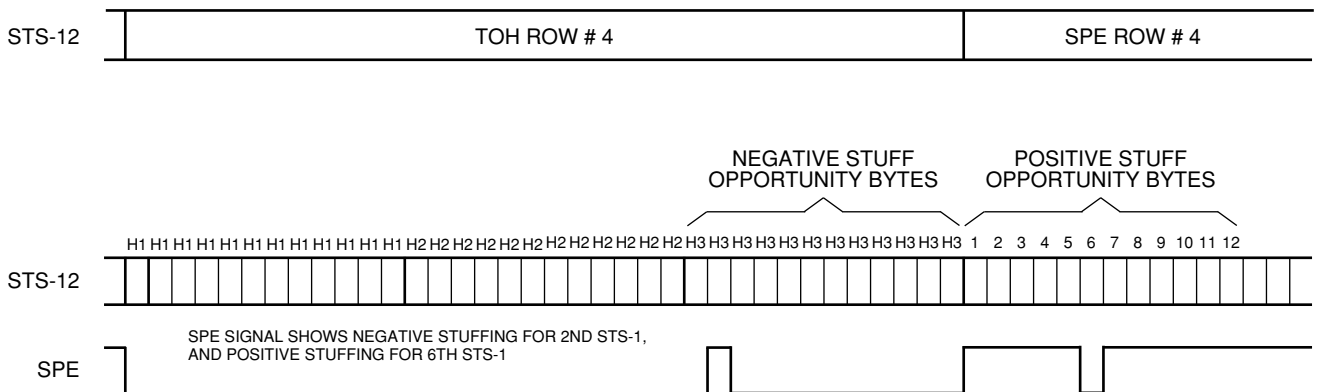


Notes: C1J1 signal behavior shown in this figure is just for illustration purposes: C1 pulse position must always be as shown; however, position of J1 pulses vary based on path overhead location of each STS-1 within the STS-12 stream. C1J1 signal must always be active during C1(J0) time slot of STS#1. C1J1 signal must also be active during the twelve J1 time slots. However, C1J1 must not be active for any STS-1 for which AIS-P is generated. Also, on concatenated payloads, only the head of the group must have a J1 pulse.

Figure 9. SPE and C1J1 Functionality

Discontinued Product (PCN#03-08). Contact Rochester Electronics for Availability. www.latticesemi.com/sales/discontinueddevicesales.cfm

Backplane Transceiver Core Detailed Description (continued)



5-9331

Notes: SPE signal behavior shown in this figure is just for illustration purposes: SPE behavior is dependent on pointer movements and concatenation.

SPE signal must be high during negative stuff opportunity byte time slots (H3) for which valid data is carried (negative stuffing).

SPE signal must be low during positive stuff opportunity byte time slots for which there is no valid data (positive stuffing).

Figure 10. SPE Stuff Bytes

Powerdown Mode

Powerdown mode will be entered when the corresponding channel is disabled. Channels can be independently enabled or disabled under software control.

Parallel data bus output enable and TOH serial data output enable signals are made available to the FPGA logic. The HSI macrocell's corresponding channel is also powered down. The device will power up with all four channels in powerdown mode.

In addition, an LVDS_EN pin has been added to control the LVDS pins during boundary scan. During functional operation, enabling/disabling LVDS buffers is controlled by software registers. When in boundary scan mode, LVDS_EN controls the enabling/disabling of LVDS buffers instead of software registers. This LVDS_EN pin should be pulled high on the board for functional operation, and pulled low during boundary scan.

Redundancy and Protection Switching

The ORT4622 supports STS-12/STS-48 redundancy by either software or hardware control for protection switching applications. For the transmitter mode, no additional functionality is required for redundant operation. For receiving data, STS-12 data redundancy can be implemented within the same device, while STS-48 and above data stream requires a pair of ORT4622 devices to support redundancy.

In STS-12 mode, the channel A receive data bus port is

used for both channel A and channel B. Similarly, the channel C receive data bus port is used for both channel C and channel D. Channel B and channel D become the redundant channels. The channel B and channel D receive data bus ports are unused. Soft registers provide independent control to the protection switching MUXes for both parallel data ports and serial TOH data ports. When direct hardware control for protection switching is needed, external protection switch pins are available for channels A and B, and also channels C and D. The external protection switch pins only support parallel SPE/TOH data protection switching, but not the serial TOH data.

In STS-48 mode, two independent devices are required to work and protect for redundancy. Parallel and serial port output pins on the FPGA side should be 3-stated as the basis for supporting redundancy. The existing local bus enable signals at the CIC can be used as 3-state controls for FPGA data bus if needed, which can be easily accessed by software control. Users can also create their own protection switch 3-state enable signals either in FPGA logic or external to the device, depending on the specific application.

Memory Map

Definition of Register Types

There are six structural register elements: sreg, creg, preg, iareg, isreg, and iereg. There are no mixed registers in the chip. This means that all bits of a particular register (particular address) are structurally the same.

Table 8. Structural Register Elements

Element	Register	Description
sreg	Status Register	A status register is read only, and, as the name implies, is used to convey the status information of a particular element or function of the ORT4622 core. The reset value of an sreg is really the reset value of the particular element or function that is being read. In some cases, an sreg is really a fixed value. An example of which is the fixed ID and revision registers.
creg	Control Register	A control register is read and writable memory element inside core control. The value of a creg will always be the value written to it. Events inside the ORT4622 core cannot effect creg value. The only exception is a soft reset, in which case the creg will return to its default value. The control register have default values as defined in the default value column of Table 9.
preg	Pulse Register	Each element, or bit, of a pulse register is a control or event signal that is asserted and then deasserted when a value of one is written to it. This means that each bit is always of value 0 until it is written to, upon which it is pulsed to the value of one and then returned to a value of 0. A pulse register will always have a read value of 0.
iareg	Interrupt Alarm Register	Each bit of an interrupt alarm register is an event latch. When a particular event is produced in the ORT4622 core, its occurrence is latched by its associated iareg bit. To clear a particular iareg bit, a value of one must be written to it. In the ORT4622 core, all isreg reset values are 0.
isreg	Interrupt Status Register	Each bit of an interrupt status register is physically the logical-OR function. It is a consolidation of lower level interrupt alarms and/or isreg bits from other registers. A direct result of the fact that each bit of the isreg is a logical-OR function means that it will have a read value of one if any of the consolidation signals are of value one, and will be of value 0 if and only if all consolidation signals are of value 0. In the ORT4622 core, all isreg default values are 0.
ereg	Interrupt Enable Register	Each bit of a status register or alarm register has an associated enable bit. If this bit is set to value one, then the event is allowed to propagate to the next higher level of consolidation. If this bit is set to zero, then the associated iareg or isreg bit can still be asserted but an alarm will not propagate to the next higher level. An interrupt enable bit is an interrupt mask bit when it is set to value 0.

Registers Access and General Description

The memory map comprises three address blocks:

- Generic register block: ID, revision, scratch pad, lock, FIFO alignment, and reset registers.
- Device register block: control and status bits, common to the four channels.
- Channel register blocks: each of the four channels have an address block. The four address blocks have the exact same structure with a constant address offset between channel register blocks.

All registers are write-protected by the lock register, except for the scratch pad register. The lock register is a 16-bit read/write register. Write access is given to registers only when the key value 0xA001 is present in the lock register. An error flag will be set upon detecting a write access when write permission is denied. The default value is 0x0000.

After powerup reset or soft reset, unused register bits will be read as zeros. Unused address locations are also read as zeros. Write only register bits will be read as zeros. The detailed information on register access and function are described on the tables, memory map, and memory map bit description.

Memory Map (continued)

Memory Map Overview

Table 9. Memory Map

ADDR [6:0]	Reg. Type	DB7	DB6	DB5	DB4	DB3	DB2	DB1	DB0	Default Value (hex)	Notes
Generic Register Block											
00	sreg	fixed rev [7:0]								01	1
01	sreg	fixed ID LSB [7:0]								01	
02	sreg	fixed ID MSB [7:0]								A0	
03	creg	scratch pad [7:0]								00	
04	creg	lockreg MSB [7:0]								00	
05	creg	lockreg LSB [7:0]								00	
06	preg	—	—	—	—	—	—	FIFO alignment command	global reset command	NA	
Device Register Block											
08	creg	—	—	—	Rx TOH frame and Rx TOH clock enable control	ext prot sw en	ext prot sw function	STS-48 STS-12 sel (unused in ORT4622)	LVDS lpbk control	00	2
09	creg	—	—	—	—	parallel port output MUX select for ch C	parallel port output MUX select for ch A	serial port output MUX select for ch C	serial port output MUX select for ch A	0F	
0a	creg	—	—	—	FIFO aligner threshold value (min) [4:0]					02	
0b	creg	—	—	—	FIFO aligner threshold value (max) [4:0]					15	
0c	creg	—	scrambler/descrambler control	input/output parallel bus parity control	line loop-back control	number of consecutive A1/A2 errors to generate [3:0]				60	3
0d	creg	A1 error insert value [7:0]								00	
0e	creg	A2 error insert value [7:0]								00	
0f	creg	transmitter B1 error insert mask [7:0]								00	

Notes:

1. Generic register block.
2. Device register block-Rx.
3. Device register block-Tx.

Discontinued Product (PCN#03-08). Contact Rochester Electronics for Availability. www.latticesemi.com/sales/discontinueddevicesales.cfm

Memory Map (continued)

Table 9. Memory Map

ADDR [6:0]	Reg. Type	DB7	DB6	DB5	DB4	DB3	DB2	DB1	DB0	Default Value (hex)	Notes
Device Register Block (continued)											
10	isreg	—	—	—	per device int	ch D interrupt	ch C interrupt	ch B interrupt	ch A interrupt	00	4
11	iereg	—	—	—	enable/mask register [4:0]				00		
12	iareg	—	—	—	—	—	—	write to locked register error flag	frame offset error flag	00	
13	iereg	—	—	—	—	—	—	enable/mask register [1:0]		00	
Channel Register Block											
20, 38, 50, 68 *	creg	Protection switching 3-state control of TOH data output	Protection switching 3-state control of parallel data output	channel enable/disable control	parallel output bus parity err ins cmd	Rx K1/K2 source select	TOH serial output port par err ins cmd	force ais-l control	Rx behavior in LOF	01	5
21, 39, 51, 69	creg	Tx mode of operation	Tx E1 F1 E2 source select	Tx S1 M0 source select	Tx K1/K2 source select	Tx D12 source select	Tx D11 source select	Tx D10 source select	Tx D9 source select	00	6
22, 3a, 52, 6a	creg	Tx D8 source select	Tx D7 source select	Tx D6 source select	Tx D5 source select	Tx D4 source select	Tx D3 source select	Tx D2 source select	Tx D1 source select	00	
23, 3b, 53, 6b	creg	—	—	—	—	—	—	B1 error insert command	A1/A2 error ins command	00	
24, 3c, 54, 6c	sreg	—	—	—	—	Concatination 12	Concatination 9	Concatination 6	Concatination 3	NA	7
25, 3d, 55, 6d	sreg	Concatination 11	Concatination 8	Concatination 5	Concatination 2	Concatination 10	Concatination 7	Concatination 4	Concatination 1	NA	

- Notes:
1. Generic register block.
 2. Device register block-Rx.
 3. Device register block-Tx.
 4. Top-level interrupts.
 5. Rx control.
 6. Tx control signals.
 7. Per STS#1 cos flag.

* ADDR values delimited by a comma indicate the address for each of four channels, from channel A to D. For example, the register to Tx control signals has addresses of 20, 38, 50, and 68. This indicates that channel A Tx control signals are at address 20, control B Tx control signals are at address

Discontinued Product (PCN#03-08). Contact Rochester Electronics for Availability.
www.latticesemi.com/sales/discontinueddevicessales.cfm

Memory Map (continued)

Table 9. Memory Map

ADDR [6:0]	Reg. Type	DB7	DB6	DB5	DB4	DB3	DB2	DB1	DB0	Default Value (hex)	Notes
Channel Register Block (continued)											
26, 3e, 56, 6e	isreg	—	—	—	—	—	elastic store overflow flag	ais-p flag	per STS-12 alarm flag	00	8
27, 3f, 57, 6f	ireg	—	—	—	—	—	enable/mask register [2:0]			00	
28, 40, 58, 70	iareg	—	—	TOH serial input port parity error flag	input parallel bus parity error flag	LVDS link B1 parity error flag	LOF flag	Receiver internal path parity error flag	FIFO aligner threshold error flag	00	9
29, 41, 59, 71	ireg	—	—	enable/mask register [5:0]						00	
2a, 42, 5a, 72	iareg	—	—	—	—	AIS interrupt flags 12	AIS interrupt flag 9	AIS interrupt flag 6	AIS interrupt flags 3	00	10
2b, 43, 5b, 73	iareg	AIS interrupt flag 11	AIS interrupt flag 8	AIS interrupt flag 5	AIS interrupt flag 2	AIS interrupt flag 10	AIS interrupt flag 7	AIS interrupt flag 4	AIS interrupt flag 1	00	
2c, 44, 5c, 74	ireg	—	—	—	—	enable/mask AIS interrupt flag 12	enable/mask AIS interrupt flag 9	enable/mask AIS interrupt flag 6	enable/mask AIS interrupt flag 3	00	
2d, 45, 5d, 75	ireg	enable/mask AIS interrupt flag 11	enable/mask AIS interrupt flag 8	enable/mask AIS interrupt flag 5	enable/mask AIS interrupt flag 2	enable/mask AIS interrupt flag 10	enable/mask AIS interrupt flag 7	enable/mask AIS interrupt flag 4	enable/mask AIS interrupt flag 1	00	
2e, 46, 5e, 76	iareg	—	—	—	—	ES overflow flag 12	ES overflow flag 9	ES overflow flag 6	ES overflow flag 3	00	

Notes:

1. Generic register block.
2. Device register block-Rx.
3. Device register block-Tx.
4. Top-level interrupts.
5. Rx control.
6. Tx control signals.
7. Per STS#1 cos flag.
8. Per channel interrupt.
9. Per STS-12 interrupt flags.
10. Per STS-1 interrupt flags.

Discontinued Product (PCN#03-08). Contact Rochester Electronics for Availability.
www.latticesemi.com/sales/discontinueddevicesales.cfm

Memory Map (continued)

Table 9. Memory Map

ADDR [6:0]	Reg. Type	DB7	DB6	DB5	DB4	DB3	DB2	DB1	DB0	Default Value (hex)	Notes
Channel Register Block (continued)											
2f, 47, 5f, 77	iareg	ES overflow flag 11	ES overflow flag 8	ES overflow flag 5	ES overflow flag 2	ES overflow flag 10	ES overflow flag 7	ES overflow flag 4	ES overflow flag 1	00	10
30, 48, 60, 78	iereg	—	—	—	—	enable/mask ES overflow flags 12	enable/mask ES overflow flag 9	enable/mask ES overflow flags 6	enable/mask ES overflow flags 3	00	
31, 49, 61, 79	iereg	enable/mask ES overflow flag 11	enable/mask ES overflow flag 8	enable/mask ES overflow flag 5	enable/mask ES overflow flag 2	enable/mask ES overflow flag 10	enable/mask ES overflow flag 7	enable/mask ES overflow flag 4	enable/mask ES overflow flag 1	00	
32, 4a, 62, 7a	counter	overflow	LVDS link B1 parity error counter							00	11
33, 4b, 63, 7b	counter	overflow	LOF counter							00	
34, 4c, 64, 7c	counter	overflow	A1/A2 frame error counter							00	

- Notes:
1. Generic register block.
 2. Device register block-Rx.
 3. Device register block-Tx.
 4. Top-level interrupts.
 5. Rx control.
 6. Tx control signals.
 7. Per STS#1 cos flag.
 8. Per channel interrupt.
 9. Per STS-12 interrupt flags.
 10. Per STS-1 interrupt flags.
 11. Binning.

Discontinued Product (PCN#03-08). Contact Rochester Electronics for Availability.
www.latticesemi.com/sales/discontinueddevicessales.cfm

Memory Map (continued)

Table 10. Memory Map Bit Descriptions

Bit/Register Name(s)	Bit/ Register Location (hex)	Register Type	Default Value (hex)	Description		
Generic Register Block						
fixed rev [7:0]	00 [7:0]	sreg	01	—		
fixed ID LSB [7:0]	01 [7:0]		01			
fixed ID MSB [7:0]	02 [7:0]		A0			
scratch pad [7:0]	03 [7:0]	creg	00	The scratch pad has no function and is not used anywhere in the ORT4622 core. However, this register can be written to and read from.		
lockreg MSB [7:0] lockreg LSB [7:0]	04 [7:0] 05 [7:0]	creg	00 00	In order to write to registers in memory locations 06 to 7F, lockreg MSB and lockreg LSB must be respectively set to the values of A0 and 01. If the MSB and LSB lockreg values are not set to {A0, 01}, then any values written to the registers in memory locations 06 to 7F will be ignored. After reset (both hard and soft), the ORT4622 core is in a write locked mode. The ORT4622 core needs to be unlocked before it can be written to. Also note that the scratch pad register (03) can always be written to since it is unaffected by write lock mode.		
FIFO alignment command global reset command	06 [0] 06 [1]	preg	NA	The FIFO alignment and global reset commands are both accessed via the pulse register in memory address 06. The FIFO alignment command is used to frame align the outputs of the four receive stm stream FIFOs. The global reset command is a soft (software initiated) reset. Nevertheless, the global reset command will have the exact reset effect as a hard (RST_N pin) reset.		
Device Register Block						
LVDS loopback control	08 [0]	creg	0	0	No loopback.	
				1	LVDS loopback, transmit to receive on.	
STS48 STS12 sel	08 [1]	creg	0	This control signal is untracked in the ORT4622 core. It is a scratch bit, and its value has no effect on the ORT4622 core.		
ext prot sw en ext prot sw func	08 [3:2]	creg	0	ext prot sw en	ext prot sw func	Switching control master.
				0	—	MUX is controlled by software (one control bit per MUX). Output buffer 3-state signals are controlled by software (one control bit per channel).
				1	0	MUX on parallel output bus of channel A is controlled by Prot_Switch A/B pin (0-> channel A, 1-> channel B). MUX on parallel output bus of channel C is controlled by Prot_Switch C/D pin (0 -> channel C, 1-> channel D). Output buffer 3-state signals are controlled by software (one control bit per channel).
				1	1	MUX is controlled by software (one control bit per MUX). Output buffer 3-state signals on parallel output bus of channels A and B are controlled by Prot_Switch A/B pin (0-> buffers active, 1-> hi-z). Output buffer 3-state signals on parallel output bus of channels C and D are controlled by Prot_Switch C/D pin (0 -> buffers active, 1-> hi-z).

Discontinued Product (PCN#03-08). Contact Rochester Electronics for Availability.
www.latticesemi.com/sales/discontinueddevicesales.cfm

Memory Map (continued)

Table 10. Memory Map Bit Descriptions

Bit/Register Name(s)	Bit/ Register Location (hex)	Register Type	Default Value (hex)	Description
Device Register Block (continued)				
Rx TOH frame and Rx TOH clock enable	08 [4]	creg	0	0 toh_ck_fp_en = 0, can be used to 3-state rx_toh_ck_en and rx_toh_fp signals.
				1 Functional Mode.
serial output port A MUX select	09 [0]	creg	1	TOH Output MUX Select for Port A
				0 TOH output port A is multiplexed to channel B.
				1 TOH output port A is multiplexed to channel A.
serial output port A MUX select	09 [1]	creg	1	TOH Output MUX Select for Port C
				0 TOH output port C is multiplexed to channel D.
				1 TOH output port C is multiplexed to channel C.
parallel output port A MUX select	09 [2]	creg	1	Parallel Port Output MUX Select for Port A
				0 Parallel output data bus port A is multiplexed to channel B.
				1 Parallel output data bus port A is multiplexed to channel A.
parallel output port A MUX select	09 [3]	creg	1	Parallel Port Output MUX Select for Port C
				0 Parallel output data bus port C is multiplexed to channel D.
				1 Parallel output data bus port C is multiplexed to channel C.
FIFO aligner threshold value (min) [4:0]	0A [4:0]	creg	02	These are the minimum and maximum thresholds values for the per channel receive direction alignment FIFOs. If and when the minimum or maximum threshold value is violated by a particular channel, then the interrupt event FIFO aligner threshold error will be generated for that channel and latched as a FIFO aligner threshold error flag in the respective per STS-12 interrupt alarm register. The allowable range for minimum threshold values is 0 to 23. The allowable range for maximum threshold values is 0 to 22. Note that the minimal and maximum FIFO aligner threshold values apply to all four channels.
FIFO aligner threshold value (max) [4:0]	0B [4:0]			
number of consecutive A1/A2 errors to generate [3:0]	0C [3:0]	creg	00	These three-per-device control signals are used in conjunction with the per-channel A1/A2 error insert command control bits to force A1/A2 errors in the transmit direction. If a particular channel's A1/A2 error insert command control bit is set to the value one, then the A1 and A2 error insert values will be inserted into that channels respective A1 and A2 bytes. The number of consecutive frames to be corrupted is determined by the number of consecutive A1, A2 errors to generate[3:0] control bits. The error insertion is based on a rising edge detector. As such, the control must be set to value 0 before trying to initiate a second A1/A2 corruption.
A1 error insert value [7:0]	0D [7:0]		00	
A2 error insert value [7:0]	0E [7:0]		00	
line loopback control	0C [4]	creg	0	0 No loopback.
				1 Receive to transmit loopback on FPGA side.
input/output parallel bus parity control	0C [5]	creg	0	0 Even parity.
				1 Odd parity.

Discontinued Product (PCN#03-08). Contact Rochester Electronics for Availability.
www.latticesemi.com/sales/discontinueddevicessales.cfm

Memory Map (continued)

Table 10. Memory Map Bit Descriptions

Bit/Register Name(s)	Bit/ Register Location (hex)	Register Type	Default Value (hex)	Description	
Device Register Block (continued)					
scrambler/ descrambler control	0C [6]	creg	1	0	No receive direction descramble/transmit direction scramble.
				1	In receive direction, descramble channel after SONET frame recovery. In transmit direction scramble data just before parallel-to-serial conversion.
transmit B1 error insert mask [7:0]	0F [7:0]	creg	00	0	No error insertion.
				1	Invert corresponding bit in B1 byte.
channel A int channel B int channel C int channel D int per device int enable/mask register [4:0]	10 [0] 10 [1] 10 [2] 10 [3] 10 [4] 11 [4:0]	creg creg creg creg creg iereg	0 0 0 0 0 0	Consolidation Interrupts	
				0	No interrupt. Mask interrupt in enable/mask register.
				1	Interrupt. Enable interrupt in enable/mask register.
				If in the receive direction the phase offset between any two channels exceeds 17 bytes, then a frame offset error event will be issued. This condition is continuously monitored.	
				If the ORT4622 core memory map has not been unlocked (by writing A1 00 to the lock registers), and any address other than the lockreg registers or scratch pad register is written to, then a write to locked register event will be generated.	
frame offset error flag	12 [0]	iareg	0		
write to locked register error flag	12 [1]	iareg	0		
enable/mask register [1:0]	13 [1:0]	iereg	0		
Channel Register Block (Channel A, Channel B, Channel C, Channel D)					
Rx behavior in LOF	20, 38 50, 68 [0]	—	1	Receive Behavior in LOF	
				0	When receive direction OOF occurs, do not insert AIS-L.
				1	When receive direction OOF occurs, insert AIS-L.
Force AIS-L control	20, 38, 50, 68 [1]	—	0	Force AIS-L Control	
				0	Do not force AIS-L.
				1	Force AIS-L.
TOH serial output port par err ins cmd	20, 38, 50, 68 [2]	—	0	0	Do not insert a parity error.
				1	Insert parity error in parity bit of receive TOH serial output for as long as this bit is set.
Rx K1/K2 source select	20, 38, 50, 68 [3]	—	0	0	Set receive direction K1/K2 bytes to 0.
				1	Pass receive direction K1/K2 though pointer mover.
parallel output bus par- ity err ins cmd	20, 38, 50, 68 [4]	—	0	0	Do not insert parity error.
				1	Insert parity error in the parity bit of receive direction parallel output bus for as long as this bit is set.

Discontinued Product (PCN#03-08). Contact Rochester Electronics for Availability.
www.latticesemi.com/sales/discontinueddevicesales.cfm

Memory Map (continued)

Table 10. Memory Map Bit Descriptions

Bit/Register Name(s)	Bit/ Register Location (hex)	Register Type	Default Value (hex)	Description	
Channel Register Block (Channel A, Channel B, Channel C, Channel D) (continued)					
channel enable/disable control	20, 38, 50, 68 [5]	creg	0	Channel Enable/Disable Control	
				0	Powerdown channel A/B/C/D CDR and LVDS I/O can be used with data_rx_en to 3-state output buses.
				1	Functional mode.
Hi-z control of parallel output bus.	20, 38, 50, 68 [6]	creg	0	To be used as 3-state control for protection switching on the FPGA data output.	
Hi-z control of TOH data output.	20 [7]	creg	0	To be used as 3-state control for TOH data output. Only channel A enable signal is brought out.	
Tx mode of operation	21, 39, 51, 69 [7]	creg	0	Transmit Mode of Operation	
				0	Insert TOH from serial ports.
				1	Pass through all TOH.
Tx E1 F2 E2 source select Tx S1 M0 source select Tx K1 K2 source select Tx D12—D9 source select Tx D8—D1 source select	21, 39, 51, 69 [6] 21, 39, 51, 69 [5] 21, 39, 51, 69 [4] 21, 39, 51, 69 [3:0] 22, 3a, 52, 6a [7:0]	creg creg creg creg creg	0 0 0 4'h0 8'h00	Other Registers	
				0	Insert TOH from serial ports.
				1	Pass through that particular TOH byte.
A1/A2 error insert command	23, 3b, 53, 6b [0]	creg	0	0	Do not insert error.*
				1	Insert error for number of frames in register hex 0C.*
B1 error insert command	23, 3b, 53, 6b [1]	creg	0	0	Do not insert error.†
				1	Insert error for one frame in B1 bits defined by register hex 0F.†
concatindication 12, 9, 6, 3 concatindication 11, 8, 5, 2, 10, 7, 4, 1	24, 3c, 54, 6c [3:0] 25, 3d, 55, 6d [7:0]	sreg sreg	0 0	The value one in any bit location indicates that STS# is in CONCAT mode. A 0 indicates that the STS is not in CONCAT mode, or is the head of a concat group.	
per STS-12 alarm flag AIS-P flag elastic store overflow flag enable/mask register [2:0]	26, 3e, 56, 6e [0] 26, 3e, 56, 6e [1] 26, 3e, 56, 6e [2] 27, 3f, 57, 6f [2:0]	isreg isreg isreg iereg	0 0 0 3'b000	These flag register bits per STS-12 alarm flag, AIS-P flag, and elastic store overflow flag are the per-channel interrupt status (consolidation) register.	
FIFO aligner threshold error flag receiver internal path parity error flag LOF flag LVDS link B1 parity error flag input parallel bus parity error flag TOH serial input port parity error flag enable/mask register [5:0]	28, 40, 58, 70 [0] 28, 40, 58, 70 [1] 28, 40, 58, 70 [2] 28, 40, 58, 70 [3] 28, 40, 58, 70 [4] 28, 40, 58, 70 [5] 29, 41, 59, 71 [5:0]	iareg iareg iareg iareg iareg iareg iareg	0 0 0 0 0 0 6'h00	These are per the STS-12 alarm flags with the corresponding enable/mask register.	
AIS interrupt flags 12, 9, 6, 3 AIS interrupt flags 11, 8, 5, 2, 10, 7, 4, 1 enable/mask register 12, 9, 6, 3 enable/mask register 11, 8, 5, 2, 10, 7, 4, 1	2a, 42, 5a, 72 [3:0] 2b, 43, 5b, 73 [7:0] 2c, 44, 5c, 74 [3:0] 2d, 45, 5d, 75 [7:0]	iareg iareg iereg iereg	4'h0 8'h00 4'h0 8'h00	These are the AIS-P alarm flags with the corresponding enable/mask register.	

* The error insertion is based on a rising edge detector. As such, the control must be set to value 0 before trying to initiate a second A1/A2 corruption.

† The error insertion is based on a rising edge detector. As such, the control must be set to value 0 before trying to initiate a second B1 corruption.

Memory Map (continued)

Table 10. Memory Map Bit Descriptions

Bit/Register Name(s)	Bit/ Register Location (hex)	Register Type	Default Value (hex)	Description
Channel Register Block (Channel A, Channel B, Channel C, Channel D) (continued)				
ES overflow flags 12, 9, 6, 3	2e, 46, 5e, 76 [7:0]	—	4'h0	These are the elastic store overflow alarm flags.
ES overflow flags 11, 8, 5, 2, 10, 7, 4, 1	2f, 47, 5f, 77 [3:0]		8'h00	
enable/mask register 12, 9, 6, 3	30, 48, 60, 78 [7:0]		4'h0	
enable/mask register 11, 8, 5, 2, 10, 7, 4, 1	31, 49, 61, 79 [7:0]		8'h00	
LVDS link B1 parity error counter	32, 4a, 62, 7a [7:0]	counter	8'h00	7-bit count + overflow-reset on read.
LOF counter	33, 4b, 63, 7b [7:0]	counter	8'h00	7-bit count + overflow-reset on read.
A1/A2 frame error counter	34, 4c, 64, 7c [7:0]	counter	8'h00	7-bit count + overflow-reset on read.

* The error insertion is based on a rising edge detector. As such, the control must be set to value 0 before trying to initiate a second A1/A2 corruption.

† The error insertion is based on a rising edge detector. As such, the control must be set to value 0 before trying to initiate a second B1 corruption.

Powerup Sequencing for ORT4622 Device

ORCA Series ORT4622 device uses two power supplies: one to power the device I/Os and the ASIC core (VDD), which is set to 3.3 V for 3.3 V operation and 5 V tolerance on input pins, and another supply for the internal FPGA logic (VDD2), which is set to 2.5 V. It is understood that many users will derive the 2.5 V core logic supply from a 3.3 V power supply, so the following recommendations are made for the powerup sequence of the supplies and allowable delays between power supplies reaching stable voltages. In general, both the 3.3 V and the 2.5 V supplies should ramp-up and become stable as close together in time as possible. There is no delay requirement if the VDD2 (2.5 V) supply becomes stable prior to the VDD (3.3 V) supply. There is a delay requirement imposed if the VDD supply becomes stable prior to the VDD2 supply. The requirement is that the VDD2 (2.5 V) supply transition from 0 V to 2.3 V within 15.7 ms if the VDD (3.3 V) supply is already stable at a minimum of 3.0 V. If the VDD supply has not yet reached 3.0 V when the VDD2 supply has reached 2.3 V, then the requirement is that the VDD2 supply reach a minimum of 2.3 V within 15.7 ms of when the VDD supply reaches 3.0 V. If the chosen power supplies cannot meet this delay requirement, it is always possible to hold off configuration of the FPGA by asserting INIT or PRGM until the VDD2 supply has reached 2.3 V. This process eliminates any power supply sequencing issues.

Discontinued Product (PCN#03-08). Contact Rochester Electronics for Availability.
www.latticesemi.com/sales/discontinueddevicesales.cfm

FPGA Configuration Data Format

The ispLEVER development system interfaces with front-end design entry tools and provides tools to produce a fully configured FPSC. This section discusses using the ispLEVER development system to generate configuration RAM data and then provides the details of the configuration frame format.

Using ispLEVER to Generate Configuration RAM Data

The configuration data bit stream defines the embedded core configuration, the FPGA logic functionality, and the I/O configuration and interconnection. The data bit stream is generated by the ispLEVER development tools. The bit stream created by the bit stream generation tool is a series of 1s and 0s used to write the FPSC configuration RAM. It can be loaded into the FPSC using one of the configuration modes discussed elsewhere in this data sheet.

For FPSCs, the bit stream is prepared in two separate steps in the design flow. The configuration options of the embedded core are specified using *ORCA* ORT4622 Design Kit Software at the beginning of the design process. This offers the designer a specific configuration to simulate and design the FPGA logic to. Upon completion of the design, the bit stream generator combines the embedded core options and the FPGA configuration into a single bit stream for download into the FPSC.

FPGA Configuration Data Frame

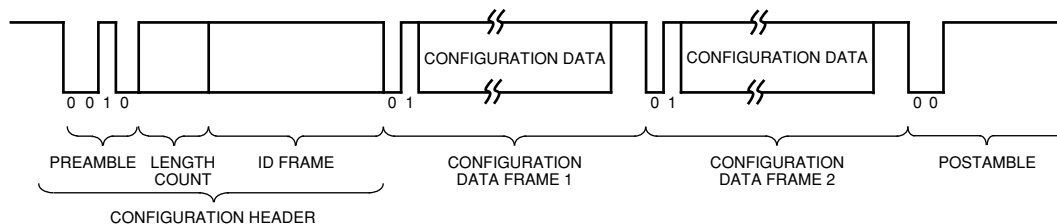
Configuration data can be presented to the FPSC in two frame formats: autoincrement and explicit. A detailed description of the frame formats is shown in Figure 11, Figure 12, and Table 11. The two modes are similar except that autoincrement mode uses assumed address incrementation to reduce the bit stream size, and explicit mode requires an address for each data frame. In both cases, the header frame begins with a series of 1s and a preamble of 0010, followed by a 24-bit length count field representing the total number of configuration clocks needed to complete the loading of the FPSC.

The mandatory ID frame contains data used to determine if the bit stream is being loaded to the correct type of *ORCA* device (i.e., a bit stream generated for an ORT4622 is being sent to an ORT4622). Error checking is always enabled for Series 3+ devices, through the use of an 8-bit checksum. One bit in the ID frame also selects between the autoincrement and explicit address modes for this load of the configuration data.

A configuration data frame follows the ID frame. A data frame starts with a one-start bit pair and ends with enough one-stop bits to reach a byte boundary. If using autoincrement configuration mode, subsequent data frames can follow. If using explicit mode, one or more address frames must follow each data frame, telling the FPSC at what addresses the preceding data frame is to be stored (each data frame can be sent to multiple addresses).

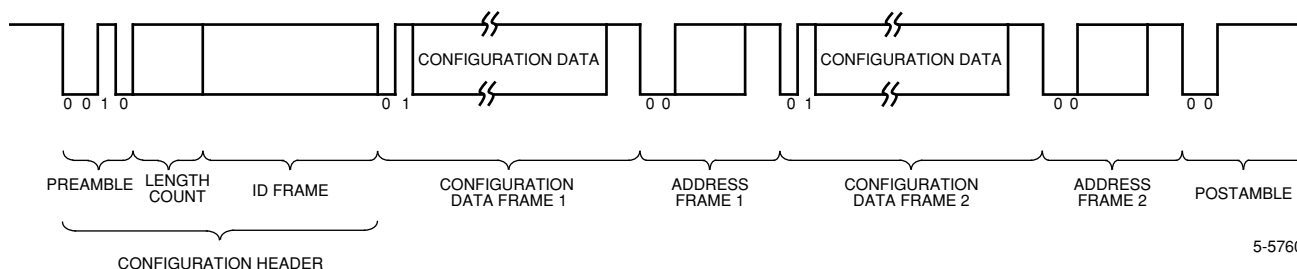
Following all data and address frames is the postamble. The format of the postamble is the same as an address frame with the highest possible address value with the checksum set to all ones.

FPGA Configuration Data Format (continued)



5-5759(F)

Figure 11. Serial Configuration Data Format Autoincrement Mode



5-5760(F)

Figure 12. Serial Configuration Data Format Explicit Mode

Table 11. Configuration Frame Format and Contents

Header	11110010	Preamble.
	24-bit Length Count	Configuration frame length.
	11111111	Trailing header—8 bits.
ID Frame	0101 1111 1111 1111	ID frame header.
	Configuration Mode	00 = autoincrement, 01 = explicit.
	Reserved [41:0]	Reserved bits set to 0.
	ID	20-bit part ID.
	Checksum	8-bit checksum.
	11111111	Eight stop bits (high) to separate frames.
Configuration Data Frame (repeated for each data frame)	01	Data frame header.
	Data Bits	Number of data bits depends upon device.
	Alignment Bits = 0	String of 0 bits added to bit stream to make frame header, plus data bits reach a byte boundary.
	Checksum	8-bit checksum.
	11111111	Eight stop bits (high) to separate frames.
Configuration Address Frame	00	Address frame header.
	14 Address Bits	14-bit address of location to start data storage.
	Checksum	8-bit checksum.
	11111111	Eight stop bits (high) to separate frames.
Postamble	00	Postamble header.
	11111111 111111	Dummy address.
	1111111111111111	16 stop bits.

Note: For slave parallel mode, the byte containing the preamble must be 11110010. The number of leading header dummy bits must be $(n * 8) + 4$, where n is any nonnegative integer and the number of trailing dummy bits must be $(n * 8)$, where n is any positive integer. The number of stop bits/frame for slave parallel mode must be $(x * 8)$, where x is a positive integer. Note also that the bit stream generator tool supplies a bit stream that is compatible with all configuration modes, including slave parallel mode.

FPGA Configuration Data Format

(continued)

Bit Stream Error Checking

There are three different types of bit stream error checking performed in the *ORCA* Series 3+ FPSCs: ID frame, frame alignment, and CRC checking.

The ID data frame is sent to a dedicated location in the FPSC. This ID frame contains a unique code for the device for which it was generated. This device code is compared to the internal code of the FPSC. Any differences are flagged as an ID error. This frame is automatically created by the bit stream generation program in ispLEVER.

Each data and address frame in the FPSC begins with a frame start pair of bits and ends with eight stop bits set to 1. If any of the previous stop bits were a 0 when a frame start pair is encountered, it is flagged as a frame alignment error.

Error checking is also done on the FPSC for each frame by means of a checksum byte. If an error is found on evaluation of the checksum byte, then a checksum/parity error is flagged.

When any of the three possible errors occur, the FPSC is forced into an idle state, forcing $\overline{\text{INIT}}$ low. The FPSC will remain in this state until either the $\overline{\text{RESET}}$ or $\overline{\text{PRGM}}$ pins are asserted.

If using either of the MPI modes to configure the FPSC, the specific type of bit stream error is written to one of the MPI registers by the FPGA configuration logic. The $\overline{\text{PGRM}}$ bit of the MPI control register can also be used to reset out of the error condition and restart configuration.

FPGA Configuration Modes

There are eight methods for configuring the FPSC. Six of the configuration modes are selected on the M0, M1, and M2 input and are shown in Table 12. A fourth input, M3, is used to select the frequency of the internal oscillator, which is the source for CCLK in some configuration modes. The nominal frequencies of the internal oscillator are 1.25 MHz and 10 MHz. The 1.25 MHz frequency is selected when the M3 input is unconnected or driven to a high state.

Note that the Master parallel mode of configuration that is available in the *ORCA* Series 3 FPGAs is not available in the ORT4622.

More information on the general FPGA modes of con-

figuration can be found in the *ORCA* Series 3 data sheet.

Table 12. Configuration Modes

M2	M1	M0	CCLK	Configuration Mode	Data
0	0	0	Output	Master Serial	Serial
0	0	1	Input	Slave Parallel	Parallel
0	1	0	Output	Microprocessor: <i>Motorola*</i> <i>PowerPC</i>	Parallel
0	1	1	Output	Microprocessor: <i>Intel†</i> <i>i960</i>	Parallel
1	0	0	Reserved		
1	0	1	Output	Async Peripheral	Parallel
1	1	0	Reserved		
1	1	1	Input	Slave Serial	Serial

* *Motorola* is a registered trademark of Motorola, Inc.

† *Intel* is a registered trademark of Intel Corporation.

Discontinued Product (PCN#03-08). Contact Rochester Electronics for Availability.
www.latticesemi.com/sales/

Absolute Maximum Ratings

Stresses in excess of the absolute maximum ratings can cause permanent damage to the device. These are absolute stress ratings only. Functional operation of the device is not implied at these or any other conditions in excess of those given in the operations sections of this data sheet. Exposure to absolute maximum ratings for extended periods can adversely affect device reliability.

The *ORCA* Series 3+ FPSCs include circuitry designed to protect the chips from damaging substrate injection currents and to prevent accumulations of static charge. Nevertheless, conventional precautions should be observed during storage, handling, and use to avoid exposure to excessive electrical stress.

Table 13. Absolute Maximum Ratings

Parameter	Symbol	Min	Max	Unit
Storage Temperature	T _{stg}	-65	150	°C
I/O Supply Voltage with Respect to Ground	V _{DD}	—	4.2	V
Internal Supply Voltage	V _{DD2}	—	3.2	
Input Signal with Respect to Ground				
CMOS I/O	—	-0.5	V _{DD} + 0.3	V
5 V Tolerant I/O	—	-0.5	5.8	V
Signal Applied to High-impedance Output	—	-0.5	V _{DD} + 0.3	V
Maximum Package Body Temperature	—	—	220	°C
Junction Temperature	T _J	-40	125	°C

Recommend Operating Conditions

Table 14. Recommend Operating Conditions

ORT4622		
Temperature Range (Ambient)	I/O Supply Voltage (V _{DD})	Internal Supply Voltage (V _{DD2})
0 °C to 70 °C	3.3 V ± 5%	2.5 V ± 5%

Discontinued Product (PCN#03-08). Contact Rochester Electronics for Availability.
www.latticesemi.com/sales/discontinueddevicesales.cfm

Electrical Characteristics

Table 15. General Electrical Characteristics

ORT4622 Commercial: $V_{DD} = 3.3 \text{ V} \pm 5\%$, $V_{DD2} = 2.5 \text{ V} \pm 5\%$, $0 \text{ }^\circ\text{C} < T_A < 70 \text{ }^\circ\text{C}$.

Symbol	Parameter	Test Conditions	ORT4622		Unit
			Min	Max	
IDDSB	Standby Current	($T_A = 25 \text{ }^\circ\text{C}$, $V_{DD} = 3.3 \text{ V}$, $V_{DD2} = 2.5 \text{ V}$) internal oscillator running, no output loads, inputs at V_{DD} or GND (after configuration)	—	5.3	mA
IDDSB	Standby Current	($T_A = 25 \text{ }^\circ\text{C}$, $V_{DD} = 3.3 \text{ V}$, $V_{DD2} = 2.5 \text{ V}$) internal oscillator stopped, no output loads, inputs at V_{DD} or GND (after configuration)	—	1.4	mA
VDR	Data Retention Voltage	$T_A = 25 \text{ }^\circ\text{C}$	2.3	—	V
IPP	Powerup Current	Power supply current at approximately 1 V, within a recommended power supply ramp rate of 1 ms—200 ms	2.7	—	mA

Table 16. Electrical Characteristics for FPGA I/O

ORT4622 Commercial: $V_{DD} = 3.3 \text{ V} \pm 5\%$, $V_{DD2} = 2.5 \text{ V} \pm 5\%$, $0 \text{ }^\circ\text{C} < T_A < 70 \text{ }^\circ\text{C}$.

Parameter	Symbol	Test Conditions	ORT4622		Unit
			Min	Max	
Input Voltage: High Low	V_{IH}	Input configured as CMOS (clamped to V_{DD})	50% V_{DD}	$V_{DD} + 0.3$	V
	V_{IL}		GND – 0.5	30% V_{DD}	V
Input Voltage: High Low	V_{IH}	Input configured as 5 V tolerant	50% V_{DD}	5.8	V
	V_{IL}		GND – 0.5	30% V_{DD}	V
Output Voltage: High Low	V_{OH}	$V_{DD} = \text{min}$, $I_{OH} = 6 \text{ mA}$ or 3 mA	2.4	—	V
	V_{OL}	$V_{DD} = \text{min}$, $I_{OL} = 12 \text{ mA}$ or 6 mA	—	0.4	V
Input Leakage Current	IL	$V_{DD} = \text{max}$, $V_{IN} = V_{SS}$ or V_{DD}	–10	10	μA
Input Capacitance	C_{IN}	($T_A = 25 \text{ }^\circ\text{C}$, $V_{DD} = 3.3 \text{ V}$, $V_{DD2} = 2.5 \text{ V}$) test frequency = 1 MHz	—	8	pF
Output Capacitance	C_{OUT}	($T_A = 25 \text{ }^\circ\text{C}$, $V_{DD} = 3.3 \text{ V}$, $V_{DD2} = 2.5 \text{ V}$) test frequency = 1 MHz	—	9	pF
DONE Pull-up Resistor*	R_{DONE}	—	100	—	k Ω
M[3:0] Pull-up Resistors*	R_M	—	100	—	k Ω
I/O Pad Static Pull-up Current*	IPU	($V_{DD} = 3.6 \text{ V}$, $V_{IN} = V_{SS}$, $T_A = 0 \text{ }^\circ\text{C}$)	14.4	50.9	μA
I/O Pad Static Pull-down Current	IPD	($V_{DD} = 3.6 \text{ V}$, $V_{IN} = V_{SS}$, $T_A = 0 \text{ }^\circ\text{C}$)	26	103	μA
I/O Pad Pull-up Resistor*	R_{PU}	$V_{DD} = \text{all}$, $V_{IN} = V_{SS}$, $T_A = 0 \text{ }^\circ\text{C}$	100	—	k Ω
I/O Pad Pull-down Resistor	R_{PD}	$V_{DD} = \text{all}$, $V_{IN} = V_{DD}$, $T_A = 0 \text{ }^\circ\text{C}$	50	—	k Ω

* The pull-up resistor will externally pull the pin to a level 1.0 V below V_{DD} .

Discontinued Product (PCN#03-08). Contact Rochester Electronics for Availability.
www.latticesemi.com/sales/discontinueddevicessales.cfm

Electrical Characteristics (continued)

Table 17. Electrical Characteristics for Embedded Core I/O Other than LVDS I/O

Symbol	Parameter	Min	Max	Unit
V _{IH}	Input High Voltage (TTL input)	2.0	5.5	V
V _{IL}	Input Low Voltages (TTL input)	—	0.8	V
V _{OH}	Output High Voltage (TTL output)	2.4	—	V
V _{OL}	Output Low Voltage (TTL output)	—	0.4	V

Note: All outputs are driving 35 pF, except CPU data bus pins which drive 100 pF. It is assumed that the TTL buffers from the standard-cell library can handle the 100 pF load.

HSI Circuit Specifications

Input Data

The 622 Mb/s scrambled input data stream must conform to SONET STS-12 and SDH STM-4 data format using either a PN7 or PN9 sequence. The PN7 characteristic is $1 + x^6 + x^7$ and the PN9 characteristic is $1 + x^4 + x^9$. The ORT4622 supplies a default scrambler using the PN7 sequence. The longest allowable stream of nontransitional 622 Mb/s input data is 60 bits. This sequence should not occur more often than once per minute. An input signal phase change of no more than 100 ps is allowed over 200 ns time interval, which translates to a frequency change of 500 ppm. The signal eye opening must be greater than 0.4 Ulp-p (unit interval peak-to-peak), and the unit interval for 622 Mb/s is 1.6075 ns.

Jitter Tolerance

The input jitter tolerance of the ORT4622 is shown in Table 18.

Table 18. Jitter Tolerance

Frequency	Ulp-p
250 kHz	0.6
25 kHz	6.0
2 kHz	60

Generated Output Jitter

The generated output jitter is a maximum of 0.2 Ulp-p from 250 kHz to 5 MHz.

PLL

PLL requires an external 10 k Ω pull-down resistor.

Table 19. PLL

Parameter	Min	Max	Unit
Loop Bandwidth	—	6	MHz
Jitter Peaking	—	2	dB
Powerup Reset Duration	10	—	μ s
Lock Acquisition	—	1	ms

Input Reference Clock

Table 20. Input Reference Clock

Parameter	Min	Max
Frequency Deviation	—	± 20 ppm
Frequency Change	—	500 ppm
Phase Change in 200 ns	—	100 ps

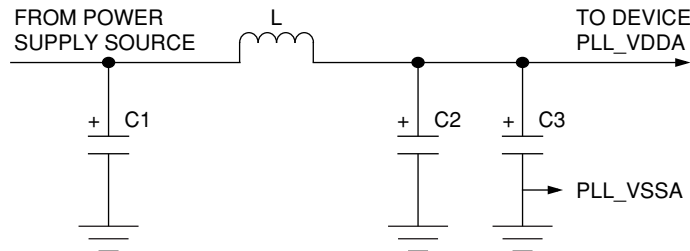
HSI Circuit Specifications (continued)

Power Supply Decoupling LC Circuit

The 622 MHz HSI macro contains both analog and digital circuitry. The data recovery function, for example, is implemented as primarily a digital function, but it relies on a conventional analog phase-locked loop to provide its 622 MHz reference frequency. The internal analog phase-locked loop contains a voltage-controlled oscillator. This circuit will be sensitive to digital noise generated from the rapid switching transients associated with internal logic gates and parasitic inductive elements. Generated noise that contains frequency components beyond the bandwidth of the internal phase-locked loop (about 3 MHz) will not be attenuated by the phase-locked loop and will impact bit error rate directly. Thus, separate power supply pins are provided for these critical analog circuit elements.

Additional power supply filtering in the form of a LC pi filter section will be used between the power supply source and these device pins as shown in Figure 13. The corner frequency of the LC filter is chosen based on the power supply switching frequency, which is between 100 kHz and 300 kHz in most applications.

Capacitors C1 and C2 are large electrolytic capacitors to provide the basic cutoff frequency of the LC filter. For example, the cutoff frequency of the combination of these elements might fall between 5 kHz and 50 kHz. Capacitor C3 is a smaller ceramic capacitor designed to provide a low-impedance path for a wide range of high-frequency signals at the analog power supply pins of the device. The physical location of capacitor C3 must be as close to the device lead as possible. Multiple instances of capacitors C3 can be used if necessary. The recommended filter for the HSI macro is shown below: $L = 4.7 \mu\text{H}$, $R_L = 1 \Omega$, $C1 = 0.01 \mu\text{F}$, $C2 = 0.01 \mu\text{F}$, $C3 = 4.7 \mu\text{F}$.



5-9344(F)

Figure 13. Sample Power Supply Filter Network for Analog HSI Power Supply Pins

Discontinued Product (PCN#03-08). Contact Rochester Electronics for Availability.
www.latticesemi.com/sales/discontinueddevicessales.cfm

LVDS I/O

Table 21. LVDS Driver dc Data*

Parameter	Symbol	Test Conditions	Min	Typ	Max	Unit
Driver Output Voltage High, V_{OA} or V_{OB}	V_{OH}	$R_{LOAD} = 100 \Omega \pm 1\%$	—	—	1.475*	V
Driver Output Voltage Low, V_{OA} or V_{OB}	V_{OL}	$R_{LOAD} = 100 \Omega \pm 1\%$	0.925*	—	—	V
Driver Output Differential Voltage $V_{OD} = (V_{OA} - V_{OB})$ (with External Reference Resistor)	V_{OD}	$R_{LOAD} = 100 \Omega \pm 1\%$	0.25	—	0.45*	V
Driver Output Offset Voltage $V_{OS} = (V_{OA} + V_{OB})/2$	V_{OS}	$R_{LOAD} = 100 \Omega \pm 1\%$	1.125*	—	1.275*	V
Output Impedance, Single Ended	R_o	$V_{CM} = 1.0 \text{ V and } 1.4 \text{ V}$	40	50	60	Ω
R_o Mismatch Between A and B	ΔR_o	$V_{CM} = 1.0 \text{ V and } 1.4 \text{ V}$	—	—	10	%
Change in $ V_{OD} $ Between 0 and 1	—	$R_{LOAD} = 100 \Omega \pm 1\%$	—	—	25	mV
Change in $ V_{OS} $ Between 0 and 1	—	$R_{LOAD} = 100 \Omega \pm 1\%$	—	—	25	mV
Output Current	I_{SA}, I_{SB}	Driver shorted to ground	—	—	24	mA
Output Current	I_{SAB}	Drivers shorted together	—	—	12	mA
Power-off Output Leakage	$ x_a , x_b $	$V_{DD} = 0 \text{ V}$ $V_{PAD}, V_{PADN} = 0 \text{ V} - 3 \text{ V}$	—	—	30	μA

* External reference, REF10 = 1.0 V \pm 3%, REF14 = 1.4 V \pm 3%

Table 22. LVDS Driver ac Data

Parameter	Symbol	Test Conditions	Min	Max	Unit
V_{OD} Fall Time, 80% to 20%	T_{FALL}	$Z_{LOAD} = 100 \Omega \pm 1\%$ $C_{PAD} = 3 \text{ pF}, C_{PAD} = 3 \text{ pF}$	100	200	ps
V_{OD} Rise Time, 20% to 80%	T_{RISE}	$Z_{LOAD} = 100 \Omega \pm 1\%$ $C_{PAD} = 3 \text{ pF}, C_{PAD} = 3 \text{ pF}$	100	200	ps
Differential Skew $ t_{pHLA} - t_{pLHB} $ or $ t_{pHLB} - t_{pLHA} $	T_{SKEW1}	Any differential pair on package at 50% point of the transition	—	50	ps
Channel-to-channel Skew $ t_{pDIFFm} - t_{pDIFFn} $	T_{SKEW2}	Any two signals on package at 0 V differential	—	—	ps
Propagation Delay Time	T_{PLH} T_{PHL}	$Z_{LOAD} = 100 \Omega \pm 1\%$ $C_{PAD} = 3 \text{ pF}, C_{PADN} = 3 \text{ pF}$	0.50 0.55	0.90 1.03	ps

Discontinued Product (PCN#03-08). Contact Rochester Electronics for Availability.
www.latticesemi.com/sales/discontinueddevicesales.cfm

LVDS I/O (continued)

LVDS Receiver Buffer Requirements

Table 23. LVDS Receiver dc Data

Parameter	Symbol	Test Conditions	Min	Typ	Max	Unit
Receiver Input Voltage Range, V_{IA} or V_{IB}	V_I	$ V_{GPD} < 925$ mVdc 1 MHz	0	1.2	2.4	V
Receiver Input Differential Threshold	$ V_{IDTH} $	$ V_{GPD} < 925$ mV 400 MHz	-100	—	100	mV
Receiver Input Differential Hysteresis	V_{HYST}	$V_{IDTHH} - V_{IDTHL}$	—	—	—*	mV
Receiver Differential Input Impedance	R_{IN}	With built-in termination, center-tapped	80	100	120	Ω

* Buffer will not produce output transition when input is open-circuited.

Note: $V_{DD} = 3.1$ V—3.5 V, 0 °C—125 °C, slow-fast process.

Table 24. LVDS Receiver ac Data

Symbol	Parameter	Test Conditions	Min	Max	Unit
T_{PWD}	Receiver Output Pulse-width Distortion	$ V_{IDTH} = 100$ mV 311 MHz	—	TBD	ps
T_{PLH} , T_{PHL}	Propagation Delay Time	$C_L = 1.5$ pF	0.75 0.74	1.65 1.82	ns
—	With Common-mode Variation, (0 V to 2.4 V)	$C_L = 1.5$ pF	—	50	ps
T_{RISE}	Receiver Output Signal Rise Time, V_{OD} 20% to 80%	$C_L = 1.5$ pF	150	350	ps
T_{FALL}	Receiver Output Signal Fall Time, V_{OD} 80% to 20%	$C_L = 1.5$ pF	150	350	ps

Table 25. LVDS Receiver Power Consumption

Symbol	Parameter	Test Conditions	Min	Max	Unit
PR_{dc}	Receiver dc Power	dc	—	34.8	mW
PR_{ac}	Receiver ac Power	ac, $C_L = 1.5$ pF	—	0.026	mW/MHz

Table 26. LVDS Operating Parameters

Parameter	Test Conditions	Min	Normal	Max	Unit
Transmit Termination Resistor	—	—	100	—	Ω
Receiver Termination Resistor	—	—	50	—	Ω
Temperature Range	—	-40	—	125	°C
Power Supply V_{DD}	—	3.1	—	3.5	V
Power Supply V_{SS}	—	—	0	—	V

Note: Under worst-case operating condition, the LVDS driver will withstand a disabled or unpowered receiver for an unlimited period of time without being damaged. Similarly, when outputs are short-circuited to each other or to ground, the LVDS will not suffer permanent damage. The LVDS driver supports hot-insertion. Under a well-controlled environment, the LVDS I/O can drive backplane as well as cable.

Discontinued Product (PCN#03-08). Contact Rochester Electronics for Availability.
www.latticesemi.com/sales/discontinueddevicessales.cfm

Timing Characteristics

Description

The most accurate timing characteristics are reported by the timing analyzer in the ispLEVER development system. A timing report provided by the development system after layout divides path delays into logic and routing delays. The timing analyzer can also provide logic delays prior to layout. While this allows routing budget estimates, there is wide variance in routing delays associated with different layouts.

The logic timing parameters noted in the Electrical Characteristics section of this data sheet are the same as those in the design tools. In the PFU timing, symbol names are generally a concatenation of the PFU operating mode and the parameter type. The setup, hold, and propagation delay parameters, defined below, are designated in the symbol name by the SET, HLD, and DEL characters, respectively.

The values given for the parameters are the same as those used during production testing and speed binning of the devices. The junction temperature and supply voltage used to characterize the devices are listed in the delay tables. Actual delays at nominal temperature and voltage for best-case processes can be much better than the values given.

It should be noted that the junction temperature used in the tables is generally 85 °C. The junction temperature for the FPGA depends on the power dissipated by the device, the package thermal characteristics (Θ_{JA}), and the ambient temperature, as calculated in the following equation and as discussed further in the Package Thermal Characteristics Summary section:

$$T_{Jmax} = T_{Amax} + (P \cdot \Theta_{JA}) \text{ } ^\circ\text{C}$$

Note: The user must determine this junction temperature to see if the delays from ispLEVER should be derated based on the following derating tables.

Table 27 and Table 28 provide approximate power supply and junction temperature derating for OR3LP26B commercial devices. The delay values in this data sheet and reported by ispLEVER are shown as 1.00 in the tables. The method for determining the maximum junction temperature is defined in the Package Thermal Characteristics section. Taken cumulatively, the range of parameter values for best-case vs. worst-case processing, supply voltage, and junction temperature can approach three to one.

Table 27. Derating for Commercial Devices (I/O

Supply VDD)

T _J (°C)	Power Supply Voltage		
	3.0 V	3.3 V	3.6 V
-40	0.82	0.72	0.66
0	0.91	0.80	0.72
25	0.98	0.85	0.77
85	1.00	0.99	0.90
100	1.23	1.07	0.94
125	1.34	1.15	1.01

Table 28. Derating for Commercial Devices (I/O Supply VDD2)

T _J (°C)	Power Supply Voltage		
	2.38 V	2.5 V	2.63 V
-40	0.86	0.71	0.67
0	0.94	0.79	0.73
25	0.99	0.84	0.77
85	1.00	0.99	0.92
100	1.23	1.05	0.96
125	1.33	1.13	1.03

Note: The derating tables shown above are for a typical critical path that contains 33% logic delay and 66% routing delay. Since the routing delay derates at a higher rate than the logic delay, paths with more than 66% routing delay will derate at a higher rate than shown in the table. The approximate derating values vs. temperature are 0.26% per °C for logic delay and 0.45% per °C for routing delay. The approximate derating values vs. voltage are 0.13% per mV for both logic and routing delays at 25 °C.

Discontinued Product (PCN#03-08). Contact Rochester Electronics for Availability.
www.latticesemi.com/sales/

Timing Characteristics (continued)

Propagation Delay—The time between the specified reference points. The delays provided are the worst-case of the t_{phh} and t_{pll} delays for noninverting functions, t_{plh} and t_{phl} for inverting functions, and t_{phz} and t_{plz} for 3-state enable.

Setup Time—The interval immediately preceding the transition of a clock or latch enable signal, during which the data must be stable to ensure it is recognized as the intended value.

Hold Time—The interval immediately following the transition of a clock or latch enable signal, during which the data must be held stable to ensure it is recognized as the intended value.

3-State Enable—The time from when a 3-state control signal becomes active and the output pad reaches the high-impedance state.

PFU Timing

Refer to *ORCA* Series 3 data sheet for the following:

- Combination PFU Timing Characteristics
- Sequential PFU Timing Characteristics
- Ripple Mode PFU Timing Characteristics
- Synchronous Memory Write Characteristics
- Synchronous Memory Read Characteristics

PLC Timing

Refer to *ORCA* Series 3 data sheet for the following:

- PFU Output MUX and Direct Routing Timing Characteristics

SLIC Timing

Refer to *ORCA* Series 3 data sheet for the following:

- Supplemental Logic and Interconnect Cell (SLIC) Timing Characteristics

PIO Timing

Refer to *ORCA* Series 3 data sheet for the following:
Programmable I/O (PIO) Timing Characteristics

Special Function Timing

Refer to *ORCA* Series 3 data sheet for the following:
Microprocessor Interface (MPI) Timing Characteristics
Programmable Clock Manager (PCM) Timing Characteristics
Boundary-Scan Timing Characteristics

Clock Timing

Refer to *ORCA* Series 3 data sheet for the following:
ExpressCLK (ECLK) and Fast Clock (FCLK) Timing Characteristics
General-Purpose Clock Timing Characteristics (Internally Generated Clock)
ORT4622 ExpressCLK to Output Delay (Pin-to-Pin)
ORT4622 Fast Clock (FCLK) to Output Delay (Pin-to-Pin)
ORT4622 General System Clock (SCLK) to Output Delay (Pin-to-Pin)
ORT4622 Input to ExpressCLK (ECLK) Fast Capture Setup/Hold Time (Pin-to-Pin)
ORT4622 Input to Fast Clock Setup/Hold Time (Pin-to-Pin)
ORT4622 Input to General System Clock Setup/Hold Time (Pin-to-Pin)

Configuration Timing

Refer to *ORCA* Series 3 data sheet for Configuration Timing Characteristics.

Readback Timing

Refer to *ORCA* Series 3 data sheet for Readback Timing Characteristics.

Timing Characteristics (continued)

Table 29. ORT4622 Embedded Core and FPGA Interface Clock Operation Frequencies

ORT4622 Commercial: $V_{DD} = 3.3\text{ V} \pm 5\%$, $V_{DD2} = 2.5\text{ V} \pm 5\%$, $0\text{ }^{\circ}\text{C} < T_A < 70\text{ }^{\circ}\text{C}$.

Description ($T_I = 85\text{ }^{\circ}\text{C}$, $V_{DD} = \text{min}$, $V_{DD2} = \text{min}$)	Speed -7			Unit
	Min	Typ	Max	
Signal				
sys_clk	0	—*	77.76*	MHz
toh_clk	0	25	77.76	MHz

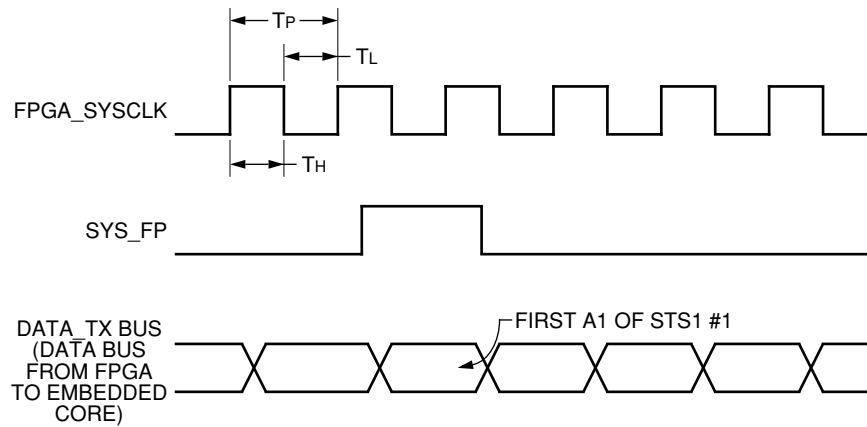
* The sys_clk clock frequency is based on the HSI macro specifications.

All embedded core/FPGA on-chip interface timing is available in ispLEVER through the STAMP timing file included in the ORT4622 Design Kit.

Discontinued Product (PCN#03-08). Contact Rochester Electronics for Availability.
www.latticesemi.com/sales/discontinueddevicesales.cfm

Timing Characteristics (continued)

Clock Timing



5-8605 (F)

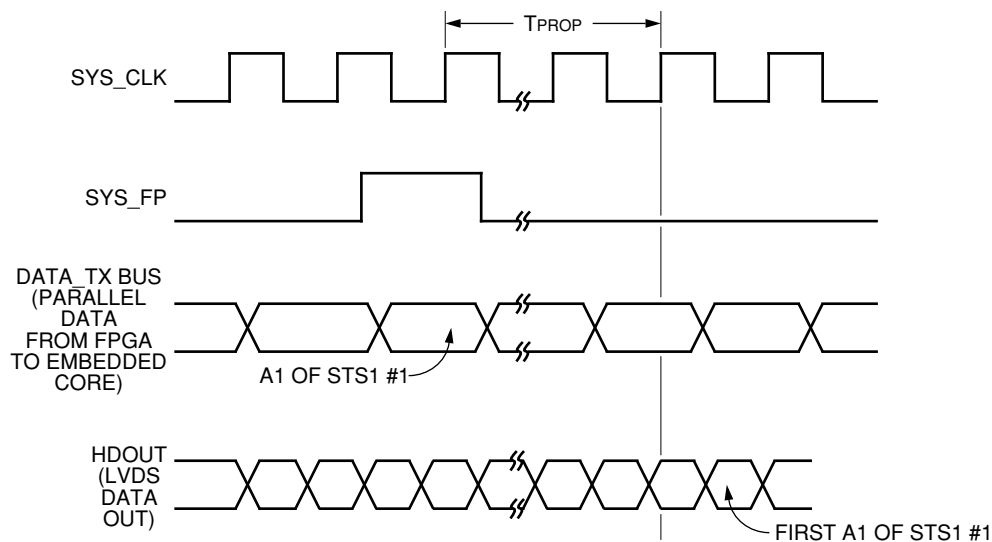
Figure 14. Transmit Parallel Port Timing (Backplane -> FPGA)

Table 30. Timing Requirements (Transmit Parallel Port Timing)

Symbol	Parameter	Min	Nom	Max	Unit
T_P	Clock Period	12.86	—	—	ns
T_L	Clock Low Time	5.1	6.43	7.7	ns
T_H	Clock High Time	5.1	6.43	7.7	ns

Discontinued Product (PCN#03-08). Contact Rochester Electronics for Availability.
www.latticesemi.com/sales/discontinueddevicessales.cfm

Timing Characteristics (continued)



5-8606

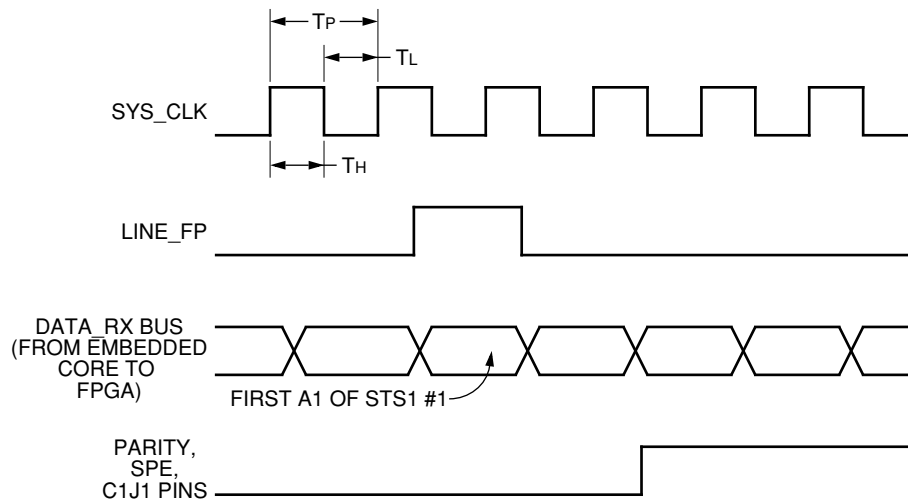
Figure 15. Transmit Transport Delay (FPGA -> Backplane)

Table 31. Timing Requirements (Transmit Transport Delay)

Symbol	Parameter	Min	Nom	Max	Unit
T _{PROP}	Number of Clocks of Delay from Parallel Bus Input to LVDS Output	4	7	8	SYS_CLK

Discontinued Product (PCN#03-08). Contact Rochester Electronics for Availability.
www.latticesemi.com/sales/discontinueddevicesales.cfm

Timing Characteristics (continued)



5-8607 (F)

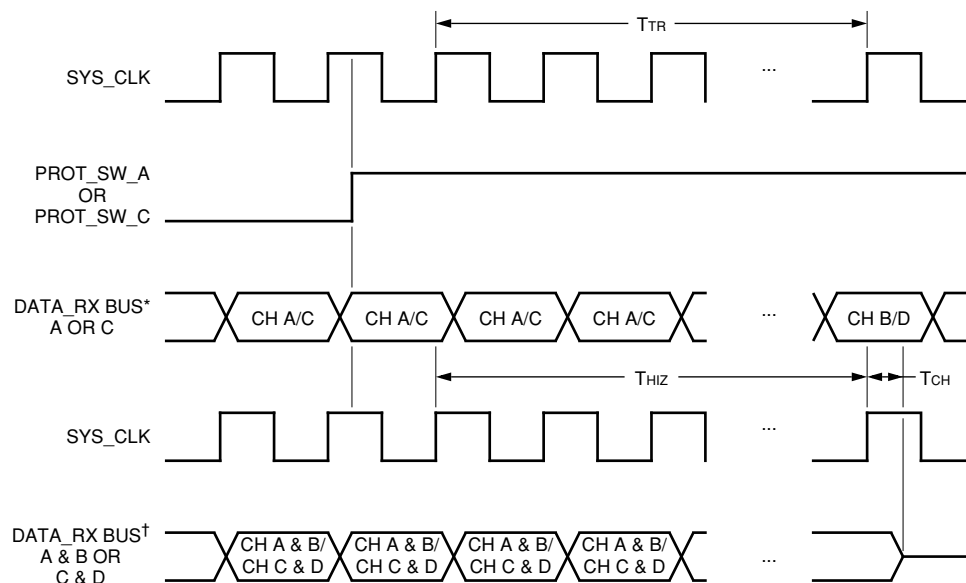
Figure 16. Receive Parallel Port Timing (Backplane -> FPGA)

Table 32. Timing Requirements (Receive Parallel Port Timing)

Symbol	Parameter	Min	Nom	Max	Unit
T_P	Clock Period	12.86	—	—	ns
T_L	Clock Low Time	5.1	6.43	7.7	ns
T_H	Clock High Time	5.1	6.43	7.7	ns

Discontinued Product (PCN#03-08). Contact Rochester Electronics for Availability.
www.latticesemi.com/sales/discontinueddevicesales.cfm

Timing Characteristics (continued)



5-8608 (F)

* Data bus refers to 8 bits data, 1 bit parity, 1 bit SPE, and 1 bit C1J1.

† Channel A or C refers to whether the PROT_SW_A or PROT_SW_C pins that are activated. For example, if the PROT_SW_A pin is activated, the timing diagram for output bus A or C refers to output bus A.

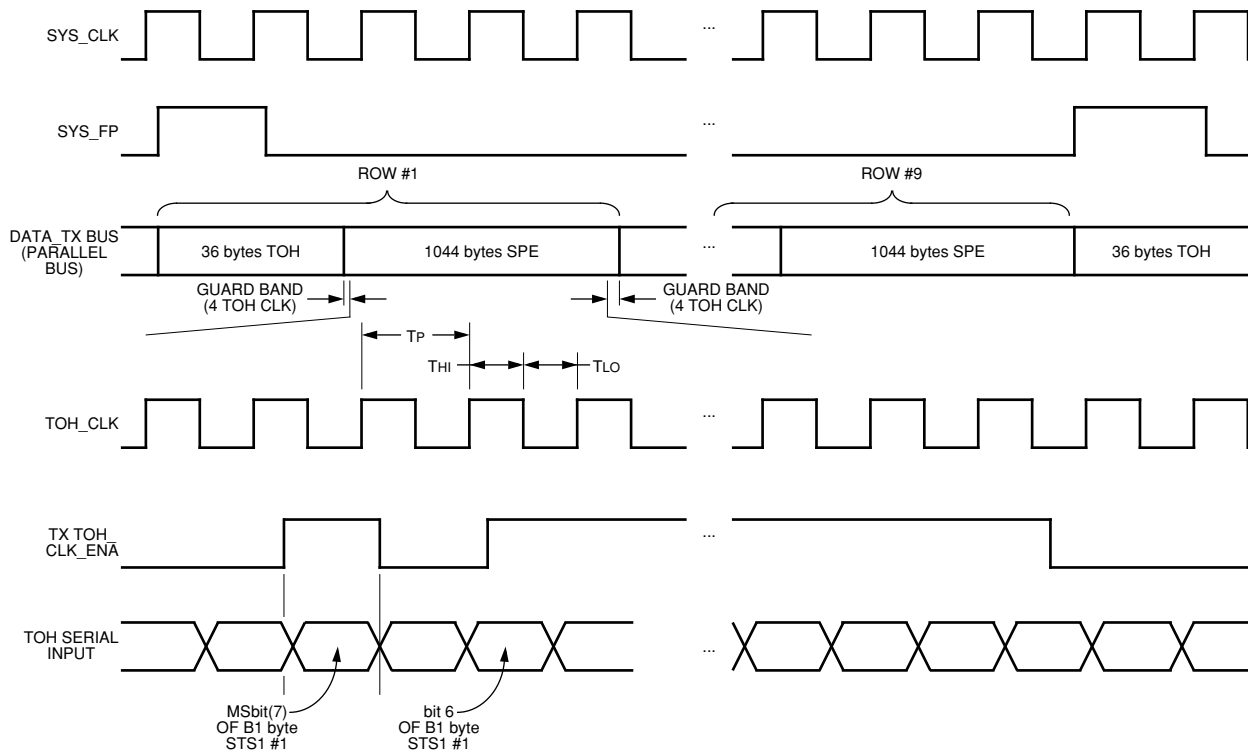
Figure 17. Protection Switch Timing

Table 33. Timing Requirements (Protection Switch Timing)

Symbol	Parameter	Min	Nom	Max	Unit
T _{TR}	Transport Delay from Latching of PROT_SW_A/C to Actual Data Switch	7	8	9	Leading edge SYS_CLKs
T _{HIz}	Transport Delay from Latching of PROT_SW_A/C to Actual Hi-z	4	5	6	Leading edge SYS_CLKs
T _{CH}	Propagation Delay from SYS_CLK to HI-Z of Output Bus	—	—	25	Leading edge SYS_CLKs

Discontinued Product (PCN#03-08). Contact Rochester Electronics for Availability.
www.latticesemi.com/sales/discontinueddevicesales.cfm

Timing Characteristics (continued)



5-8609 (F)

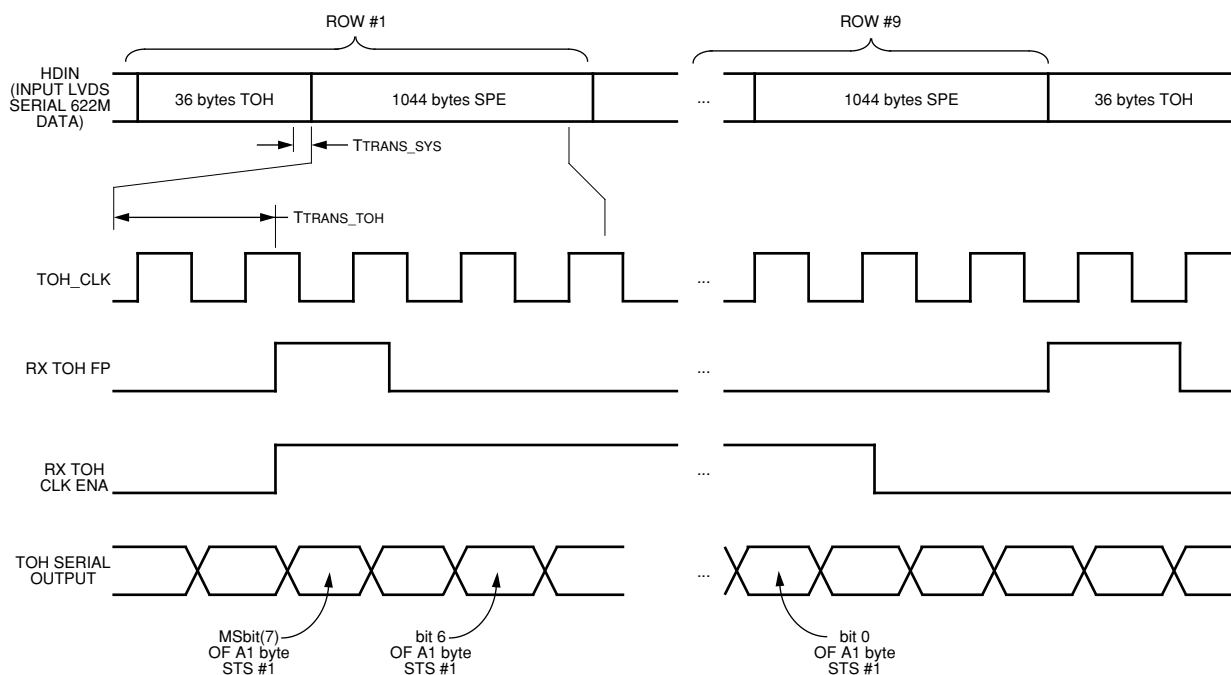
Figure 18. TOH Input Serial Port Timing (FPGA -> Backplane)

Table 34. Timing Requirements (TOH Input Serial Port Timing)

Symbol	Parameter	Min	Nom	Max	Unit
T_p	Clock Period	12.86	—	40	ns
T_{HI}	Clock High Time	5.1	6.43	7.7	ns
T_{LO}	Clock Low Time	5.1	6.43	7.7	ns

Discontinued Product (PCN#03-08). Contact Rochester Electronics for Availability.
www.latticesemi.com/sales/discontinueddevicessales.cfm

Timing Characteristics (continued)



5-8610 (F)

Note: The total delay from A1 STS1 #1 arriving at LVDS input to RX_TOH_FP is 56 SYS_CLKs and 6 TOH_CLKs. This will vary by ± 14 SYS_CLKs, 12 each way for the FIFO alignment, and ± 2 SYS_CLKs due to the variability in the clock recovery of the HSI macro.

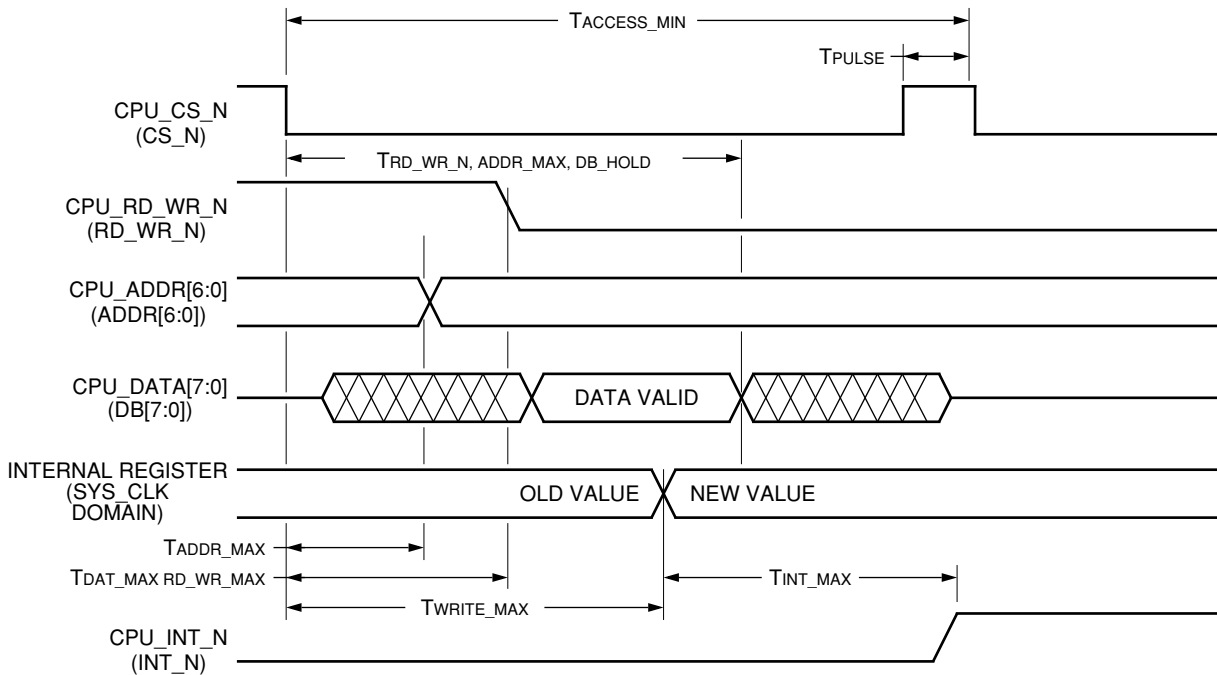
Figure 19. TOH Output Serial Port Timing (Backplane -> FPGA)

Table 35. Timing Requirements (TOH Output Serial Port Timing)

Symbol	Parameter	Min	Nom	Max	Unit
TTRANS_SYS	Delay from First A1 LVDS Serial Input to Transfer to TOH_CLK	44	56	68	SYS_CLKs
TTRANS_TOH	Delay from Transfer to TOH_CLK to RX_TOH_FP	—	6	—	TOH_CLKs

Discontinued Product (PCN#03-08). Contact Rochester Electronics for Availability.
www.latticesemi.com/sales/discontinueddevicesales.cfm

Timing Characteristics (continued)



5-8611 (F)

Note: The CPU interface can be bit stream selected either from device I/O or FPGA interface. The timing diagram applies to both interfaces, but not to the FPGA MPI block.

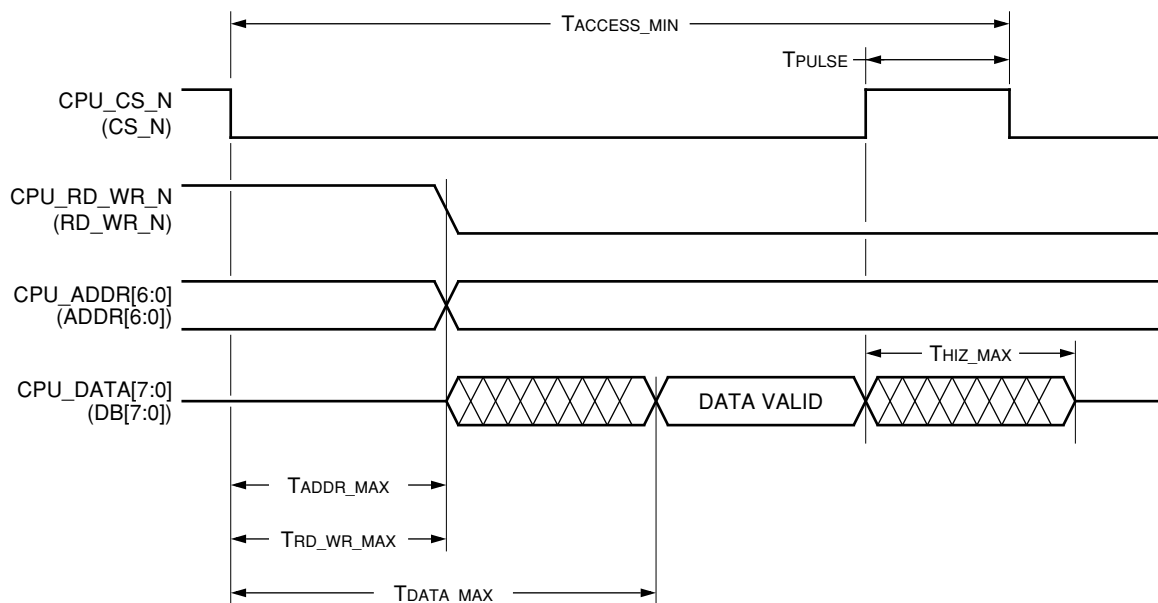
Figure 20. CPU Write Transaction

Table 36. Timing Requirements (CPU Write Transaction)

Symbol	Parameter	Min	Max	Unit
TPULSE	Minimum Pulse Width for CS_N	5	—	ns
TADDR_MAX	Maximum Time from Negative Edge of CS_N to ADDR Valid	—	18	ns
TDAT_MAX	Maximum Time from Negative Edge of CS_N to Data Valid	—	25	ns
TRD_WR_MAX	Maximum Time from Negative Edge of CS_N to Negative Edge of RD_WR_N	—	26	ns
TWRITE_MAX	Maximum Time from Negative Edge of CS_N to Contents of Internal Register Latching DB[7:0]	—	60	ns
TACCESS_MIN	Minimum Time Between a Write Cycle (falling edge of CS_N) and Any Other Transaction (read or write at falling edge of CS_N)	60	—	ns
TINT_MAX	Maximum Time from Register FF to Pad	—	20	ns
TRW_WR_N, ADDR, DB_HOLD	Minimum Hold Time that RD_WR_N, ADDR and DB Must be Held Valid from the Negative Edge of CS_N	57	—	ns

Discontinued Product (PCN#03-08). Contact Rochester Electronics for Availability.
www.latticesemi.com/sales/discontinueddevicessales.cfm

Timing Characteristics (continued)



5-8612 (F)

Notes:

The CPU interface can be bit stream selected either from device I/O or FPGA interface. The timing diagram applies to both interfaces, but not to the FPGA MPI block.

The time delay between the advanced SYS_CLK and the distributed SYS_CLK used to sample CS_N is of no consequence. However, the path delay of CS_N from pad to where it is sampled by SYS_CLK must be minimized.

The calculated delays assume a 100 pF loading on the DB pins.

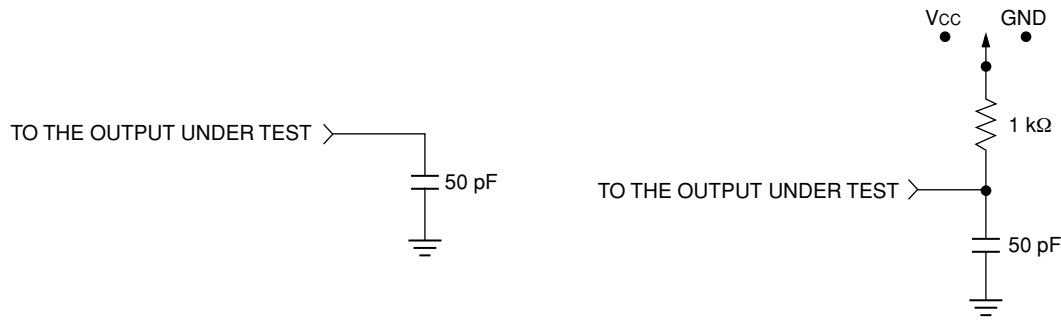
Figure 21. CPU Read Transaction

Table 37. Timing Requirements (CPU Read Transaction)

Symbol	Parameter	Min	Max	Unit
TPULSE	Minimum Pulse Width for CS_N	5	—	ns
TADDR_MAX	Maximum Time from Negative Edge of CS_N to ADDR Valid	—	5	ns
TRD_WR_MAX	Maximum Time from Negative Edge of CS_N to RD_WR_N Falling	—	5	ns
TDATA_MAX	Maximum Time from Negative Edge of CS_N to Data Valid on DB Port	—	56	ns
THIZ_MAX	Maximum Time from Rising Edge of CS_N to DB Port Going HI-Z	—	12	ns
TACCESS_MIN	Minimum Time Between a Read Cycle (falling edge of CS_N) and Any Other Transaction (read or write at falling edge of CS_N)	60	—	ns

Discontinued Product (PCN#03-08). Contact Rochester Electronics for Availability.
www.latticesemi.com/sales/discontinueddevicesales.cfm

Input/Output Buffer Measurement Conditions (on-LVDS Buffer)



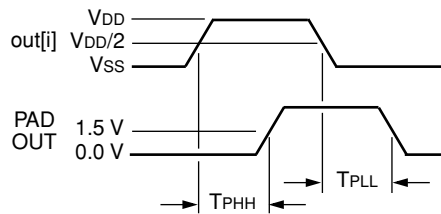
A. Load Used to Measure Propagation Delay

B. Load Used to Measure Rising/Falling Edges

5-3234(F)

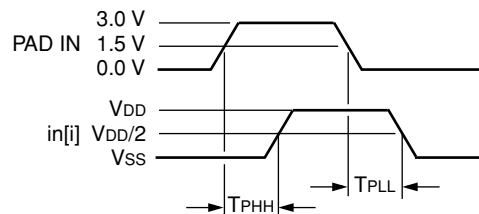
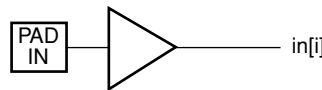
Note: Switch to VDD for TPLZ/TPZL; switch to GND for TPHZ/TPZH.

Figure 22. ac Test Loads



5-3233.a(F)

Figure 23. Output Buffer Delays

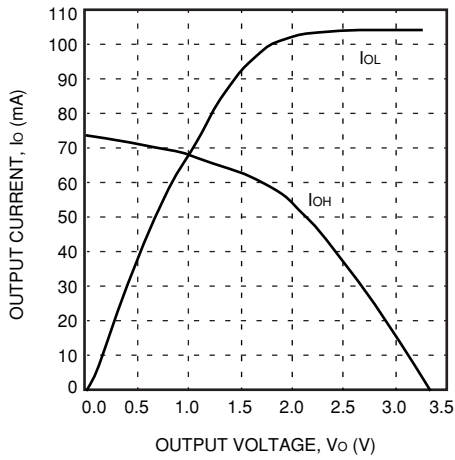


5-3235(F)

Figure 24. Input Buffer Delays

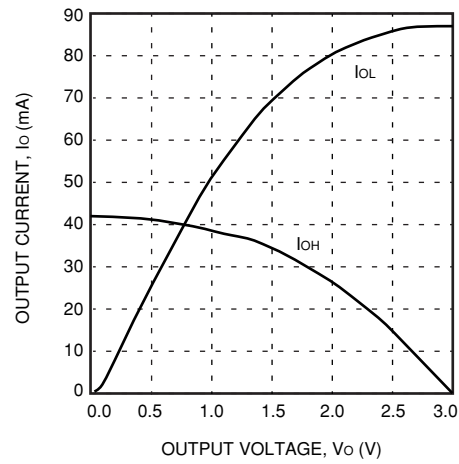
Discontinued Product (PCN#03-08). Contact Rochester Electronics for Availability.
www.latticesemi.com/sales/discontinueddevicessales.cfm

FPGA Output Buffer Characteristics



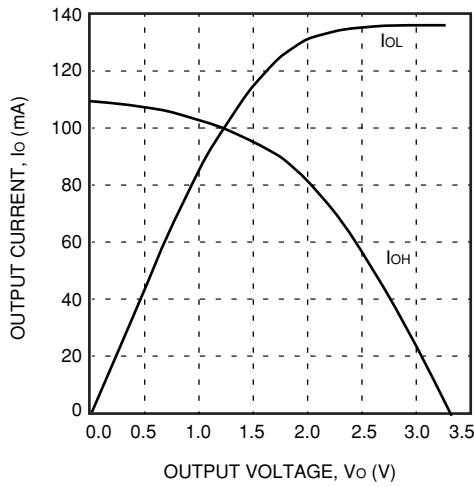
5-6865(F)

Figure 25. Sinklim ($T_J = 25\text{ }^\circ\text{C}$, $V_{DD} = 3.3\text{ V}$)



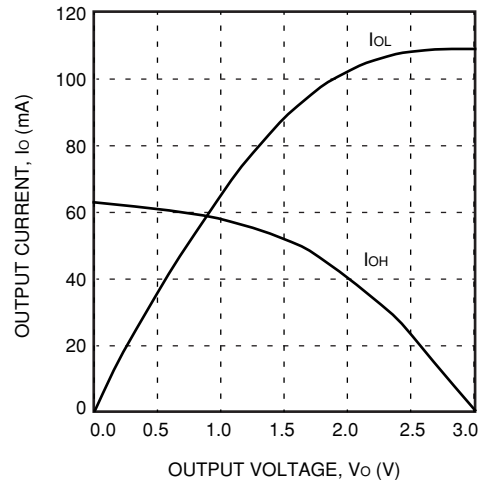
5-6866(F)

Figure 28. Sinklim ($T_J = 125\text{ }^\circ\text{C}$, $V_{DD} = 3.0\text{ V}$)



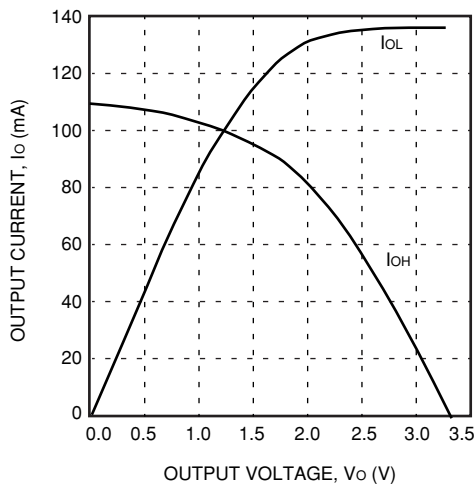
5-6867(F)

Figure 26. Slewlim ($T_J = 25\text{ }^\circ\text{C}$, $V_{DD} = 3.3\text{ V}$)



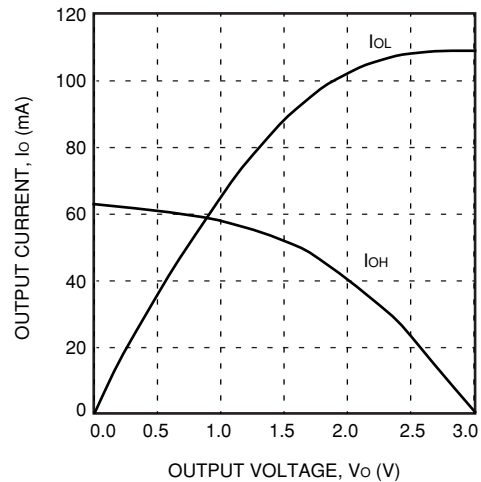
5-6868(F)

Figure 29. Slewlim ($T_J = 125\text{ }^\circ\text{C}$, $V_{DD} = 3.0\text{ V}$)



5-6867(F)

Figure 27. Fast ($T_J = 25\text{ }^\circ\text{C}$, $V_{DD} = 3.3\text{ V}$)



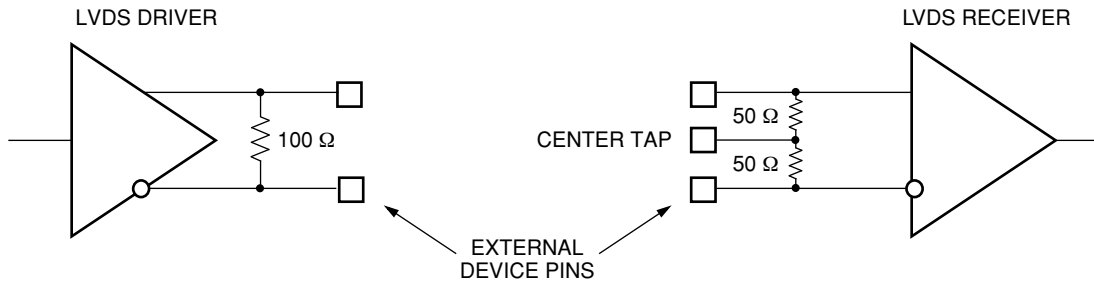
5-6868(F)

Figure 30. Fast ($T_J = 125\text{ }^\circ\text{C}$, $V_{DD} = 3.0\text{ V}$)

LVDS Buffer Characteristics

Termination Resistor

The LVDS drivers and receivers operate on a 100 Ω differential impedance, as shown below. External resistors are not required. The differential driver and receiver buffers include termination resistors inside the device package as shown in Figure 31 below.

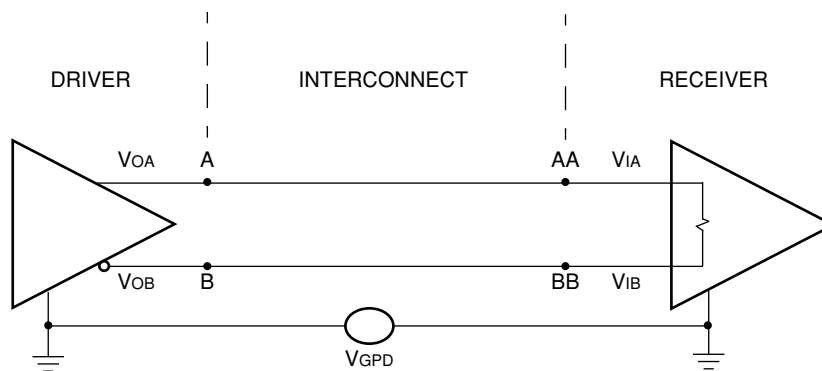


5-8703(F)

Figure 31. LVDS Driver and Receiver and Associated Internal Components

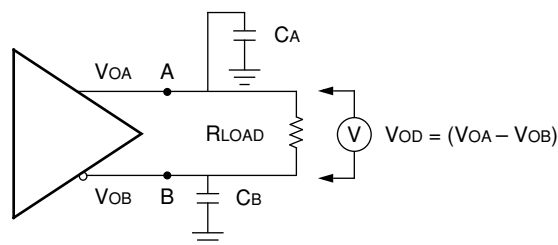
LVDS Driver Buffer Capabilities

Under worst-case operating condition, the LVDS driver must withstand a disabled or unpowered receiver for an unlimited period of time without being damaged. Similarly, when its outputs are short-circuited to each other or to ground, the LVDS driver will not suffer permanent damage. Figure 32 illustrates the terms associated with LVDS driver and receiver pairs.



5-8704(F)

Figure 32. LVDS Driver and Receiver



5-8705(F)

Figure 33. LVDS Driver

Discontinued Product (PCN#03-08). Contact Rochester Electronics for Availability.
www.latticesemi.com/sales/discontinueddevicessales.cfm

Estimating Power Dissipation

The total operating power dissipated is estimated by summing the FPGA standby (IDDSB), internal, and external power dissipated, in addition to the embedded block power.

Table 38. Embedded Block Power Dissipation

Number of Active Channels	Operating Frequency (Hz)	Estimated Power Dissipated (Watt)	
		Min	Max
1 channel	622	—	1.08
2 channels	622	—	1.43
3 channels	622	—	1.73
4 channels	622	—	2.01

Note: Power is calculated assuming an activity factor of 20%.

The following discussion relates to the FPGA portion of the device. The internal and external power is the power consumed in the PLCs and PICs, respectively. In general, the standby power is small and may be neglected. The total operating power is as follows:

$$P_T = \sum P_{PLC} + \sum P_{PIC}$$

The internal operating power is made up of two parts: clock generation and PFU output power. The PFU output power can be estimated based upon the number of PFU outputs switching when driving an average fan-out of two:

$$P_{PFU} = 0.078 \text{ mW/MHz}$$

For each PFU output that switches, 0.136 mW/MHz needs to be multiplied times the frequency (in MHz) that the output switches. Generally, this can be estimated by using one-half the clock rate, multiplied by some activity factor; for example, 20%.

The power dissipated by the clock generation circuitry is based upon four parts: the fixed clock power, the power/clock branch row or column, the clock power dissipated in each PFU that uses this particular clock, and the power from the subset of those PFUs that are configured as synchronous memory. Therefore, the clock power can be calculated for the four parts using the following equations:

ORT4622 Clock Power

$$P = [0.22 \text{ mW/MHz} + (0.39 \text{ mW/MHz/Branch}) (\# \text{ Branches}) + (0.008 \text{ mW/MHz/PFU}) (\# \text{ PFUs}) + (0.002 \text{ mW/MHz/PIO}) (\# \text{ PIOs})]$$

For a quick estimate, the worst-case (typical circuit) ORT4622 clock power = 4.8 mW/MHz

The power dissipated in a PIC is the sum of the power dissipated in the four PIOs in the PIC. This consists of power dissipated by inputs and ac power dissipated by outputs. The power dissipated in each PIO depends on whether it is configured as an input, output, or input/output. If a PIO is operating as an output, then there is a power dissipation component for P_{IN} , as well as P_{OUT} . This is because the output feeds back to the input.

The power dissipated by an input buffer is ($V_{IH} = V_{DD} - 0.3 \text{ V}$ or higher) estimated as:

$$P_{IN} = 0.09 \text{ mW/MHz}$$

The ac power dissipation from an output or bidirectional is estimated by the following:

$$P_{OUT} = (C_L + 8.8 \text{ pF}) \times V_{DD}^2 \times F \text{ Watts}$$

where the unit for C_L is farads, and the unit for F is Hz.

Pin Information

This section describes the pins and signals that perform FPGA-related functions. During configuration, the user-programmable I/Os are 3-stated and pulled-up with an internal resistor. If any FPGA function pin is not used (or not bonded to package pin), it is also 3-stated and pulled-up after configuration.

Table 39. FPGA Common-Function Pin Description

Symbol	I/O	Description
Dedicated Pins		
V _{DD}	—	3.3 V power supply.
V _{DD2}	—	2.5 V power supply
GND	—	Ground supply.
RESET	I	During configuration, RESET forces the restart of configuration and a pull-up is enabled. After configuration, RESET can be used as an FPGA logic direct input, which causes all PLC latches/FFs to be asynchronously set/reset.
CCLK	I/O	In the master and asynchronous peripheral modes, CCLK is an output, which strobes configuration data in. In the slave or synchronous peripheral mode, CCLK is input synchronous with the data on DIN or D[7:0]. In microprocessor mode, CCLK is used internally and output for daisy-chain operation.
DONE	I	As an input, a low level on DONE delays FPGA start-up after configuration.*
	O	As an active-high, open-drain output, a high level on this signal indicates that configuration is complete. DONE has a permanent pull-up resistor.
PRGM	I	PRGM is an active-low input that forces the restart of configuration and resets the boundary-scan circuitry. This pin always has an active pull-up.
RD_CFG	I	This pin must be held high during device initialization until the INIT pin goes high. This pin always has an active pull-up. During configuration, RD_CFG is an active-low input that activates the TS_ALL function and 3-states all of the I/O. After configuration, RD_CFG can be selected (via a bit stream option) to activate the TS_ALL function as described above, or, if readback is enabled via a bit stream option, a high-to-low transition on RD_CFG will initiate readback of the configuration data, including PFU output states, starting with frame address 0.
RD_DATA/TDO	O	RD_DATA/TDO is a dual-function pin. If used for readback, RD_DATA provides configuration data out. If used in boundary scan, TDO is test data out.
Special-Purpose Pins		
M0, M1, M2	I	During powerup and initialization, M0, M1, and M2 are used to select the configuration mode with their values latched on the rising edge of INIT. During configuration, a pull-up is enabled. After configuration, these pins cannot be user-programmable I/Os.
M3	I	During powerup and initialization, M3 is used to select the speed of the internal oscillator during configuration with their values latched on the rising edge of INIT. When M3 is low, the oscillator frequency is 10 MHz. When M3 is high, the oscillator is 1.25 MHz. During configuration, a pull-up is enabled.
	I/O	After configuration, this pin is a user-programmable I/O pin.*

* The ORCA Series 3 FPGA data sheet contains more information on how to control these signals during start-up. The timing of DONE release is controlled by one set of bit stream options, and the timing of the simultaneous release of all other configuration pins (and the activation of all user I/Os) is controlled by a second set of options.

Pin Information (continued)

Table 39. FPGA Common-Function Pin Description (continued)

Symbol	I/O	Description
Special-Purpose Pins (continued)		
TDI, TCK, TMS	I	If boundary scan is used, these pins are test data in, test clock, and test mode select inputs. If boundary scan is not selected, all boundary-scan functions are inhibited once configuration is complete. Even if boundary scan is not used, either TCK or TMS must be held at logic one during configuration. Each pin has a pull-up enabled during configuration.
	I/O	After configuration, these pins are user-programmable I/O.*
RDY/RCLK/ MPI_ALE	O	During configuration in peripheral mode, RDY/RCLK indicates another byte can be written to the FPGA. If a read operation is done when the device is selected, the same status is also available on D7 in asynchronous peripheral mode.
	O	During the master parallel configuration mode, RCLK is a read output signal to an external memory. This output is not normally used.
	I	In <i>i960</i> microprocessor mode, this pin acts as the address latch enable (ALE) input.
	I/O	After configuration, if the MPI is not used, this pin is a user-programmable I/O pin.*
HDC	O	High during configuration (HDC) is output high until configuration is complete. It is used as a control output indicating that configuration is not complete.
$\overline{\text{LDC}}$	O	Low during configuration ($\overline{\text{LDC}}$) is output low until configuration is complete. It is used as a control output indicating that configuration is not complete.
$\overline{\text{INIT}}$	I/O	$\overline{\text{INIT}}$ is a bidirectional signal before and during configuration. During configuration, a pull-up is enabled, but an external pull-up resistor is recommended. As an active-low open-drain output, $\overline{\text{INIT}}$ is held low during power stabilization and internal clearing of memory. As an active-low input, $\overline{\text{INIT}}$ holds the FPGA in the wait-state before the start of configuration.
$\overline{\text{CS0}}$, CS1	I	$\overline{\text{CS0}}$ and CS1 are used in the asynchronous peripheral, slave parallel, and microprocessor configuration modes. The FPGA is selected when $\overline{\text{CS0}}$ is low and CS1 is high. During configuration, a pull-up is enabled.
	I/O	After configuration, these pins are user-programmable I/O pins.*
RD/MPI_STRB	I	$\overline{\text{RD}}$ is used in the asynchronous peripheral configuration mode. A low on $\overline{\text{RD}}$ changes D7 into a status output. As a status indication, a high indicates ready, and a low indicates busy. $\overline{\text{WR}}$ and $\overline{\text{RD}}$ should not be used simultaneously. If they are, the write strobe overrides. This pin is also used as the microprocessor interface (MPI) data transfer strobe. For <i>PowerPC</i> , it is the transfer start (TS). For <i>i960</i> , it is the address/data strobe ($\overline{\text{ADS}}$).
	I/O	After configuration, if the MPI is not used, this pin is a user-programmable I/O pin.*
$\overline{\text{WR}}$	I	$\overline{\text{WR}}$ is used in the asynchronous peripheral configuration mode. When the FPGA is selected, a low on the write strobe, $\overline{\text{WR}}$, loads the data on D[7:0] inputs into an internal data buffer. $\overline{\text{WR}}$ and $\overline{\text{RD}}$ should not be used simultaneously. If they are, the write strobe overrides.
	I/O	After configuration, this pin is a user-programmable I/O pin.*

* The ORCA Series 3 FPGA data sheet contains more information on how to control these signals during start-up. The timing of DONE release is controlled by one set of bit stream options, and the timing of the simultaneous release of all other configuration pins (and the activation of all user I/Os) is controlled by a second set of options.

Discontinued Product (PCN#03-08). Contact Rochester Electronics for Availability.
www.latticesemi.com/sales/discontinueddevicesales.cfm

Pin Information (continued)

Table 39. FPGA Common-Function Pin Description (continued)

Symbol	I/O	Description
Special-Purpose Pins (continued)		
$\overline{\text{MPI_IRQ}}$	O	MPI active-low interrupt request output.
$\overline{\text{MPI_BI}}$	O	<i>PowerPC</i> mode MPI burst inhibit output.
	I/O	If the MPI is not in use, this is a user-programmable I/O.
$\overline{\text{MPI_ACK}}$	O	In <i>PowerPC</i> mode MPI operation, this is the active-high transfer acknowledge ($\overline{\text{TA}}$) output. For <i>i960</i> MPI operation, it is the active-low ready/record ($\overline{\text{RDYRCV}}$) output. If the MPI is not in use, this is a user-programmable I/O.
MPI_RW	I	In <i>PowerPC</i> mode MPI operation, this is the active-low write/active-high read control signals. For <i>i960</i> operation, it is the active-high write/active-low read control signal.
	I/O	If the MPI is not in use, this is a user-programmable I/O.
MPI_CLK	I	This is the clock used for the synchronous MPI interface. For <i>PowerPC</i> , it is the CLK-OUT signal. For <i>i960</i> , it is the system clock that is chosen for the <i>i960</i> external bus interface.
	I/O	If the MPI is not in use, this is a user-programmable I/O.
A[4:0]	I	For <i>PowerPC</i> operation, these are the <i>PowerPC</i> address inputs. The address bit mapping (in <i>PowerPC</i> FPGA notation) is A[31]/A[0], A[30]/A[1], A[29]/A[2], A[28]/A[3], A[27]/A[4]. Note that A[27]/A[4] is the MSB of the address. The A[4:2] inputs are not used in <i>i960</i> MPI mode.
	I/O	If the MPI is not in use, this is a user-programmable I/O.
A[1:0]/ $\overline{\text{MPI_BE}}[1:0]$	I	For <i>i960</i> operation, $\overline{\text{MPI_BE}}[1:0]$ provide the <i>i960</i> byte enable signals, $\overline{\text{BE}}[1:0]$, that are used as address bits A[1:0] in <i>i960</i> byte-wide operation.
D[7:0]	I	During peripheral and slave parallel configuration modes, D[7:0] receive configuration data, and each pin has a pull-up enabled. During serial configuration modes, D0 is the DIN input. D[7:0] are also the data pins for <i>PowerPC</i> microprocessor mode and the address/data pins for <i>i960</i> microprocessor mode.
	I/O	After configuration, the pins are user-programmable I/O pins.*
DIN	I	During slave serial or master serial configuration modes, DIN accepts serial configuration data synchronous with CCLK. During parallel configuration modes, DIN is the D0 input. During configuration, a pull-up is enabled.
	I/O	After configuration, this pin is a user-programmable I/O pin.*
DOUT	O	During configuration, DOUT is the serial data output that can drive the DIN of daisy-chained slave LCA devices. Data out on DOUT changes on the falling edge of CCLK.
	I/O	After configuration, DOUT is a user-programmable I/O pin.*

* The ORCA Series 3 FPGA data sheet contains more information on how to control these signals during start-up. The timing of DONE release is controlled by one set of bit stream options, and the timing of the simultaneous release of all other configuration pins (and the activation of all user I/Os) is controlled by a second set of options.

Pin Information (continued)

This section describes device I/O signals to/from the embedded core excluding the signals at the CIC boundary.

Table 40. FPSC Function Pin Description

Symbol	I/O	Description
HSI LVDS Pins		
sts_ina	I	LVDS input receiver A.
sts_inan	I	LVDS input receiver A.
sts_inb	I	LVDS input receiver B.
sts_inbn	I	LVDS input receiver B.
sts_inc	I	LVDS input receiver C.
sts_incn	I	LVDS input receiver C.
sts_ind	I	LVDS input receiver D.
sts_indn	I	LVDS input receiver D.
sts_outa	O	LVDS output receiver A.
sts_outan	O	LVDS output receiver A.
sts_outb	O	LVDS output receiver B.
sts_outbn	O	LVDS output receiver B.
sts_outc	O	LVDS output receiver C.
sts_outcn	O	LVDS output receiver C.
sts_outd	O	LVDS output receiver D.
sts_outdn	O	LVDS output receiver D.
ctap_refa	—	LVDS input center tap (RX A) (use 0.01 μ F to GND).
ctap_refb	—	LVDS input center tap (RX B) (use 0.01 μ F to GND).
ctap_refc	—	LVDS input center tap (RX C) (use 0.01 μ F to GND).
ctap_refd	—	LVDS input center tap (RX D) (use 0.01 μ F to GND).
ref10	I	LVDS reference voltage: 1.0 V \pm 3%.
ref14	I	LVDS reference voltage: 1.4 V \pm 3%.
reshi	—	Resistor input (use 100 Ω \pm 1% to RESLO input).
reslo	—	Resistor input.
rext	—	Reference resistor for PLL (10 k Ω to ground).
pll_VDDA	—	PLL analog V _{DD} (3.3 V \pm 5%).
pll_VSSA	—	PLL analog V _{SS} (GND).
HSI Test Signals		
tstmode	I	Enables CDR test mode. Internal pull-down.
bypass	I	Enables bypassing of the 622 MHz clock synthesis with TSTCLK. Internal pull-down.
tstclk	I	Test clock for emulation of 622 MHz clock during PLL bypass. Internal pull-down.
mreset	I	Test mode reset. Internal pull-down.
resetrn	I	Resets receiver clock division counter. Internal pull-up.
resettm	I	Resets transmitter clock division counter. Internal pull-up.

Discontinued Product (PCN#03-08). Contact Rochester Electronics for Availability.
www.latticesemi.com/sales/discontinueddevicesales.cfm

Pin Information (continued)

Table 40. FPSC Function Pin Description (continued)

Symbol	I/O	Description
HSI Test Signals (continued)		
tstshftld	I	Enables the test mode control register for shifting in selected tests by a serial port. Internal pull-down
ecsel	I	Enables external test control of 622 MHz clock phase selection. Internal pull-down
exdnup	I	Direction of phase change. Internal pull-down
etoggle	I	Moves 622.08 MHz clock selection on phase per positive pulse. Internal pull-down
loopbken	I	Enables 622 Mbits/s loopback mode. Internal pull-down
tstphase	I	Controls bypass of 16 PLL-generated phases with 16 low-speed phases. Internal pull-down
tstmux[8:0]s	O	Test mode output port.
CPU Interface Pins		
db<7:0>	I/O	CPU interface data bus. Internal pull-up.
addr<6:0>	I	CPU interface address bus. Internal pull-up.
rd_wr_n	I	CPU interface read/write. Internal pull-up.
cs_n	I	Chip select. Internal pull-up.
int_n	O	Interrupt output. Internal pull-up. Open drain.
MISC System Signals		
rst_n	I	Reset the Core only. The FPGA logic is not reset by rst_n. Internal pull-down allows chip to stay in reset state when external driver loses power.
sys_clk	I	System clock (77.76 MHz), 50% duty cycle, also the reference clock of PLL. Internal pull-up.
dxp	—	Temperature sensing diode (anode +).
dxn	—	Temperature sensing diode (cathode –).
SCAN and BSCAN Pins*		
scan_tstmd	I	Scan test mode input. Internal pull-up.
scanen	I	Scan mode enable input. Internal pull-up.
lvds_en	I	LVDS enable used during BSCAN. During normal operation, lvds_en needs to be pulled high. lvds_en needs to be pulled low for boundary scan.
Universal BIST Controller Pins		
sys_dobist	I	sys_dobist is asserted high to start the BIST, and should be kept high during the entire BIST operation. Internal pull-down.
sys_rssigo	O	This 32-bit serial out RSB signature consists of the 4-bit FSM state and the BIST flag flip-flop states from each SBRIC_RS element.
bc	O	This flag is asserted to one when BIST is complete, and is used for polling the end of BIST.

* BSCAN pins-TDI, TDO, TCK, and TMS are on FPGA side.

Discontinued Product (PCN#03-08). Contact Rochester Electronics for Availability.
www.latticesemi.com/sales/discontinueddevicessales.cfm

Pin Information (continued)

In Table 41, an input refers to a signal flowing into the FPGA logic (out of the embedded core) and an output refers to a signal flowing out of the FPGA logic (into the embedded core).

Table 41. Embedded Core/FPGA Interface Signal Description

Pin Name	I/O	Description
data_txa<7:0>	O	Parallel bus of transmitter A. MSB is bit 7.
data_txa_par	O	Parity for transmitter A.
data_txb<7:0>	O	Parallel bus of transmitter B. MSB is bit 7.
data_txb_par	O	Parity for transmitter B.
data_txc<7:0>	O	Parallel bus of transmitter C. MSB is bit 7.
data_txc_par	O	Parity for transmitter C.
data_txd<7:0>	O	Parallel bus of transmitter D. MSB is bit 7.
data_txd_par	O	Parity for transmitter D.
data_rxa<7:0>	I	Parallel bus of receiver A. MSB is bit 7.
data_rxa_par	I	Parity for parallel bus of receiver A.
data_rxa_spe	I	SPE signal for parallel bus of receiver A.
data_rxa_c1j1	I	C1J1 signal for parallel bus of receiver A.
data_rxa_en	I	Enable for parallel bus of receiver A.
data_rxb<7:0>	I	Parallel bus of receiver B. MSB is bit 7.
data_rxb_par	I	Parity for parallel bus of receiver B.
data_rxb_spe	I	SPE signal for parallel bus of receiver B.
data_rxb_c1j1	I	C1J1 signal for parallel bus of receiver B.
data_rxb_en	I	Enable for parallel bus of receiver B.
data_rxc<7:0>	I	Parallel bus of receiver C. MSB is bit 7.
data_rxc_par	I	Parity for parallel bus of receiver C.
data_rxc_spe	I	SPE signal for parallel bus of receiver C.
data_rxc_c1j1	I	C1J1 signal for parallel bus of receiver C.
data_rxc_en	I	Enable for parallel bus of receiver C.
data_rxd<7:0>	I	Parallel bus of receiver D. MSB is bit 7.
data_rxd_par	I	Parity for parallel bus of receiver D.
data_rxd_spe	I	SPE signal for parallel bus of receiver D.
data_rxd_c1j1	I	C1J1 signal for parallel bus of receiver D.
data_rxd_en	I	Enable for parallel bus of receiver D.
toh_clk	O	TX and RX TOH serial links clock (25 MHz to 77.76 MHz).
toh_txa	O	TOH serial link for transmitter A.
toh_txb	O	TOH serial link for transmitter B.
toh_txc	O	TOH serial link for transmitter C.
toh_txd	O	TOH serial link for transmitter D.
tx_toh_ck_en	O	TX TOH serial link clock enable.
toh_rxa	I	TOH serial link for receiver A.
toh_rxb	I	TOH serial link for receiver B.
toh_rxc	I	TOH serial link for receiver C.

Discontinued Product (PCN#03-08). Contact Rochester Electronics for Availability.
www.latticesemi.com/sales/discontinueddevicesales.cfm

Pin Information (continued)

Table 41. Embedded Core/FPGA Interface Signal Description (continued)

Pin Name	I/O	Description
toh_rxd	I	TOH serial link for receiver D.
rx_toh_ck_en	I	RX TOH serial link clock enable.
rx_toh_fp	I	RX TOH serial link frame pulse.
toh_ck_fp_en	I	A soft register bit available to enable RX TOH clock and frame pulse.
toh_en_a	I	RX TOH enable, soft register. "AND" output of resistor channel A enable and hi-z control of TOH data output A.
cpu_data_tx<7:0>	O	CPU interface data bus.
cpu_data_rx<7:0>	I	CPU interface data bus.
cpu_addr<6:0>	O	CPU interface address bus.
cpu_rd_wr_n	O	CPU interface read/write.
cpu_cs_n	O	Chip select.
cpu_int_n	I	Interrupt.
sys_fp	O	System frame pulse for transmitter section.
line_fp	O	Line frame pulse for receiver section.
fpga_sysclk	I	System clock (77.76 MHz).
prot_sw_a	O	Protection switching control signal.
prot_sw_c	O	Protection switching control signal.
core_ready	I	During powerup and FPGA configuration sequence, the core_ready is held low. At the end of FPGA configuration, the core_ready will be held low for six clock (sys_clk) cycles and then go active-high. Flag indicates that the embedded core is out of its reset state.
fifosync_fp	I	The alignment FIFO synchronizes and locates the data frames and outputs an optimal frame pulse for the four arriving data streams.
cdr_clk_a	I	77.76 MHz recovered clock for channel A.
cdr_clk_b	I	77.76 MHz recovered clock for channel B.
cdr_clk_c	I	77.76 MHz recovered clock for channel C.
cdr_clk_d	I	77.76 MHz recovered clock for channel D.
rb_mp_sel	I	Bit stream selection for microprocessor interface selection. A 0 indicates the microprocessor interface on the core side is selected. A 1 selects the CPU interface from the FPGA side.

Discontinued Product (PCN#03-08). Contact Rochester Electronics for Availability.
www.latticesemi.com/sales/discontinueddevicessales.cfm

Pin Information (continued)

Table 42. Embedded Core/FPGA Interface Signal Locations

Embedded Core/FPGA Interface Site	FPGA Input Signal	FPGA Output Signal	Embedded Core/FPGA Interface Site	FPGA Input Signal	FPGA Output Signal
ASB1A	toh_rxa	toh_txa	ASB10C	data_rxc1	—
ASB1B	toh_rxb	toh_txb	ASB10D	data_rxc0	—
ASB1C	toh_rxc	toh_txc	ASB11A	data_rxc_par	prot_sw_c
ASB1D	toh_rxd	toh_txd	ASB11B	data_rxc_spe	—
CKTOASB1	—	toh_clk	ASB11C	data_rxc_c1j1	—
ASB2A	rx_toh_ck_en	—	ASB11D	data_rxc_en	—
ASB2B	rx_toh_fp	—	ASB12A	data_rxd7	—
ASB2C	toh_ck_fp_en	tx_toh_ck_en	ASB12B	data_rxd6	—
ASB2D	toh_en_a	—	ASB12C	data_rxd5	—
ASB3A	data_rxa7	—	ASB12D	data_rxd4	—
ASB3B	data_rxa6	—	ASB13A	data_rxd3	—
ASB3C	data_rxa5	—	ASB13B	data_rxd2	—
ASB3D	data_rxa4	—	ASB13C	data_rxd1	—
ASB4A	data_rxa3	—	ASB13D	data_rxd0	—
ASB4B	data_rxa2	—	ASB14A	data_rxd_par	line_fp
ASB4C	data_rxa1	—	ASB14B	data_rxd_spe	sys_fp
ASB4D	data_rxa0	—	ASB14C	data_rxd_c1j1	—
ASB5A	data_rxa_par	prot_sw_a	ASB14D	data_rxd_en	—
ASB5B	data_rxa_spe	—	ASB15A	fifosync_fp	data_txa7
ASB5C	data_rxa_c1j1	—	ASB15B	—	data_txa6
ASB5D	data_rxa_en	—	ASB15C	—	data_txa5
ASB6A	data_rxb7	—	ASB15D	—	data_txa4
ASB6B	data_rxb6	—	ASB16A	—	data_txa3
ASB6C	data_rxb5	—	ASB16B	—	data_txa2
ASB6D	data_rxb4	—	ASB16C	—	data_txa1
ASB7A	data_rxb3	—	ASB16D	—	data_txa0
ASB7B	data_rxb2	—	ASB17A	—	data_txb7
ASB7C	data_rxb1	—	ASB17B	—	data_txb6
ASB7D	data_rxb0	—	ASB17C	—	data_txb5
ASB8A	data_rxb_par	—	ASB17D	—	data_txb4
ASB8B	data_rxb_spe	—	ASB18A	—	data_txb3
ASB8C	data_rxb_c1j1	—	ASB18B	—	data_txb2
ASB8D	data_rxb_en	—	ASB18C	—	data_txb1
ASB9A	data_rxc7	—	ASB18D	—	data_txb0
ASB9B	data_rxc6	—	ASB19A	—	data_txa_par
ASB9C	data_rxc5	—	ASB19B	—	data_txb_par
ASB9D	data_rxc4	—	ASB19C	—	data_txc_par
ASB10A	data_rxc3	—	ASB19D	—	data_txd_par
ASB10B	data_rxc2	—	ASB20A	—	data_txc7

Discontinued Product (PCN#03-08). Contact Rochester Electronics for Availability. www.latticesemi.com/sales/

Pin Information (continued)

Table 42. Embedded Core/FPGA Interface Signal Locations (continued)

Embedded Core/FPGA Interface Site	FPGA Input Signal	FPGA Output Signal
ASB20B	—	data_txc6
ASB20C	—	data_txc5
ASB20D	—	data_txc4
ASB21A	—	data_txc3
ASB21B	—	data_txc2
ASB21C	—	data_txc1
ASB21D	—	data_txc0
ASB22A	—	data_txd7
ASB22B	—	data_txd6
ASB22C	—	data_txd5
ASB22D	—	data_txd4
ASB23A	—	data_txd3
ASB23B	—	data_txd2
ASB23C	—	data_txd1
ASB23D	—	data_txd0
ASB24A	cpu_data_rx7	cpu_data_tx7
ASB24B	cpu_data_rx6	cpu_data_tx6
ASB24C	cpu_data_rx5	cpu_data_tx5

Embedded Core/FPGA Interface Site	FPGA Input Signal	FPGA Output Signal
ASB24D	cpu_data_rx4	cpu_data_tx4
ASB25A	cpu_data_rx3	cpu_data_tx3
ASB25B	cpu_data_rx2	cpu_data_tx2
ASB25C	cpu_data_rx1	cpu_data_tx1
ASB25D	cpu_data_rx0	cpu_data_tx0
ASB26A	cpu_int_n	cpu_addr6
ASB26B	—	cpu_addr5
ASB26C	—	cpu_addr4
ASB26D	core_ready	cpu_addr3
ASB27A	—	cpu_addr2
ASB27B	—	cpu_addr1
ASB27C	—	cpu_addr0
ASB27D	—	cpu_rd_wr_n
ASB28A	cdr_clk_a	cpu_cs_n
ASB28B	cdr_clk_b	—
ASB28C	cdr_clk_c	—
ASB28D	cdr_clk_d	—
BMLKCNTL	fpga_sysclk	—

Discontinued Product (PCN#03-08). Contact Rochester Electronics for Availability.
www.latticesemi.com/sales/

Pin Information (continued)

The ORT4622 is pin compatible with a Series 3 OR3L125B device in the same package in terms of V_{DD}, V_{SS}, configuration, and special function pins. The uses and characteristics of the FPGA user I/O pins in the embedded core area of the device have changed to support the ORT4622 functionality. Additionally, the lower-left programmable clock manager (PCM) clock input pin (SECKLL) has been relocated. A "—" indicates the pin is not used and must be left unconnected (cannot be tied to V_{DD} or V_{SS}).

Table 43. 432-Pin EBGA Pinout

Pin	ORT4622 Pad	Function
E4	PRD_CFGN	RD_CFG
D3	PR1D	I/O
D2	PR1C	I/O
D1	PR1B	I/O
F4	PR1A	I/O
E3	PR2D	I/O
E2	PR2C	I/O
E1	PR2B	I/O
F3	PR2A	I/O
F2	PR3D	I/O
F1	PR3C	I/O
H4	PR3B	I/O
G3	PR3A	I/O-WR
G2	PR4D	I/O
G1	PR4C	I/O
J4	PR4B	I/O
H3	V _{DD2}	V _{DD2}
H2	PR5A	I/O
J3	PR6C	I/O
K4	PR6A	I/O
J2	PR7A	I/O-RD/MPI_STRB
J1	PR8D	I/O
K3	PR8C	I/O
K2	PR8B	I/O
K1	PR8A	I/O
L3	PR9D	I/O
M4	PR9C	I/O
L2	PR9B	I/O
L1	PR9A	I/O-CS0
M3	PR10D	I/O
N4	PR10A	I/O
M2	PR11D	I/O
N3	PR11A	I/O-CS1
N2	PR12D	I/O
P4	PR12C	I/O
N1	PR12A	I/O
P3	PR13D	I/O
P2	PR13C	I/O

Pin	ORT4622 Pad	Function
P1	V _{DD2}	V _{DD2}
R3	PR14D	I/O
R2	PR14C	I/O
R1	PR14B	I/O
T2	PECKR	I/O-ECKR
T4	PR15D	I/O
T3	PR15C	I/O
U1	PR15B	I/O
U2	PR15A	I/O
U3	PR16D	I/O
V1	PR16B	I/O
V2	PR16A	I/O
V3	PR17D	I/O
W1	PR17A	I/O-M3
V4	PR18D	I/O
W2	PR18B	I/O
W3	PR18A	I/O
Y2	—	—
W4	PR19A	M2
Y3	—	—
AA1	—	—
AA2	—	—
Y4	—	—
AA3	V _{DD2}	V _{DD2}
AB1	—	—
AB2	—	—
AB3	—	—
AC1	—	M1
AC2	—	—
AB4	—	—
AC3	—	—
AD2	—	—
AD3	—	—
AC4	—	—
AE1	—	db3 (core)
AE2	—	db2 (core)
AE3	—	db1 (core)
AD4	—	db0 (core)

Discontinued Product (PCN#03-08). Contact Rochester Electronics for Availability.
www.latticesemi.com/sales/discontinueddevicessales.cfm

Pin Information (continued)

Table 43. 432-Pin EPGA Pinout (continued)

Pin	ORT4622 Pad	Function
AF1	—	db7 (core)
AF2	—	db6 (core)
AF3	—	db5 (core)
AG1	—	db4 (core)
AG2	V _{DD2}	V _{DD2}
AG3	—	int_n (core)
AF4	—	—
AH1	—	rst_n (core)
AH2	—	M0
AH3	PPRGMN	PRGM
AG4	PRESETN	RESET
AH5	PDONE	DONE
AJ4	—	rd_wr_n (core)
AK4	—	cs_n (core)
AL4	—	addr0 (core)
AH6	—	addr1 (core)
AJ5	—	addr2 (core)
AK5	—	addr3 (core)
AL5	—	addr4 (core)
AJ6	—	addr5 (core)
AK6	—	addr6 (core)
AL6	—	tstmux0s (core)
AH8	—	tstmux1s (core)
AJ7	—	tstmux2s (core)
AK7	—	tstmux4s (core)
AL7	—	tstmux7s (core)
AH9	—	tstmux3s (core)
AJ8	V _{DD2}	V _{DD2}
AK8	—	tstmux6s (core)
AJ9	—	tstmux5s (core)
AH10	—	tstmux8s (core)
AK9	—	INIT
AL9	—	tstphase (core)
AJ10	—	loopbken (core)
AK10	—	exdnup (core)
AL10	—	ecsel (core)
AJ11	—	etoggle (core)
AH12	—	resett_n (core)
AK11	—	mreset (core)

Pin	ORT4622 Pad	Function
AL11	—	LDC
AJ12	—	tstshftld (core)
AH13	—	resetrn (core)
AK12	—	tstclk (core)
AJ13	—	bypass (core)
AK13	—	tstmode (core)
AH14	—	HDC
AL13	—	—
AJ14	—	—
AK14	—	sys_clk (core)
AL14	—	—
AJ15	V _{DD2}	V _{DD2}
AK15	—	sts_outd (core)
AL15	—	sts_outdn (core)
AK16	—	—
AH16	PECKB	sts_outc (core)
AJ16	—	sts_outcn (core)
AL17	—	reslo (core)
AK17	—	reshi (core)
AJ17	—	—
AL18	—	ref14 (core)
AK18	—	ref10 (core)
AJ18	—	rext (core)
AL19	—	pll_VssA (core)
AH18	—	pll_VDDA (core)
AK19	—	sts_outb (core)
AJ19	—	sts_outbn (core)
AK20	—	—
AH19	—	sts_outa (core)
AJ20	—	sts_outan (core)
AL21	V _{DD2}	V _{DD2}
AK21	—	ctap_refd (core)
AH20	—	sts_ind (core)
AJ21	—	sts_indn (core)
AL22	—	sts_inc (core)
AK22	—	sts_incn (core)
AJ22	—	ctap_refc (core)
AL23	—	sts_inb (core)
AK23	—	sts_inbn (core)

Discontinued Product (PCN#03-08). Contact Rochester Electronics for Availability.
www.latticesemi.com/sales/

Pin Information (continued)

Table 43. 432-Pin EBGA Pinout (continued)

Pin	ORT4622 Pad	Function	Pin	ORT4622 Pad	Function
AH22	—	ctap_refb (core)	AC30	—	—
AJ23	—	sts_ina (core)	AC31	—	—
AK24	—	sts_inan (core)	AB29	—	—
AJ24	—	ctap_refa (core)	AB30	—	—
AH23	—	—	AB31	—	—
AL25	—	—	AA29	—	—
AK25	—	—	Y28	—	—
AJ25	—	lvds_en (core)	AA30	—	—
AH24	—	scan_tstmd (core)	AA31	—	—
AL26	—	scanen (core)	Y29	—	MPI_IRQ
AK26	—	dxp (core)	W28	—	—
AJ26	—	dxn (core)	Y30	PL18A	I/O-SECKLL
AL27	V _{DD2}	v _{dd2}	W29	PL18C	I/O
AK27	—	sys_dobist (core)	W30	PL18D	I/O
AJ27	—	sys_rssigo (core)	V28	PL17A	I/O-MPI_BI
AH26	—	bc (core)	W31	PL17C	I/O
AL28	—	—	V29	PL17D	I/O
AK28	—	—	V30	PL16A	I/O
AJ28	—	—	V31	PL16C	I/O
AH27	—	—	U29	PL16D	I/O
AG28	PCCLK	CCLK	U30	PL15A	I/O-MPI_RW
AH29	—	—	U31	PL15B	I/O
AH30	—	—	T30	V _{DD2}	V _{DD2}
AH31	—	—	T28	PL15D	I/O
AF28	—	—	T29	PL14A	I/O-MPI_CLK
AG29	—	—	R31	PL14B	I/O
AG30	—	—	R30	PL14C	I/O
AG31	—	—	R29	PECKL	I/O-ECKL
AF29	—	—	P31	PL13A	I/O
AF30	—	—	P30	PL13D	I/O
AF31	—	—	P29	PL12A	I/O
AD28	—	—	N31	PL12C	I/O
AE29	V _{DD2}	V _{DD2}	P28	PL12D	I/O
AE30	—	—	N30	PL11A	I/O-A4
AE31	—	—	N29	PL11C	I/O
AC28	—	—	M30	PL11D	I/O
AD29	—	—	N28	PL10A	I/O
AD30	—	—	M29	PL10C	I/O
AC29	—	—	L31	V _{DD2}	V _{DD2}
AB28	—	—	L30	PL9A	I/O-A3

Discontinued Product (PCN#03-08). Contact Rochester Electronics for Availability.
www.latticesemi.com/sales/

Pin Information (continued)

Table 43. 432-Pin EBGA Pinout (continued)

Pin	ORT4622 Pad	Function
M28	PL9B	I/O
L29	PL9C	I/O
K31	PL9D	I/O
K30	PL8A	I/O-A2
K29	PL8B	I/O
J31	PL8C	I/O
J30	PL8D	I/O
K28	PL7D	I/O-A1/MPI_BE1
J29	PL6B	I/O
H30	PL6C	I/O
H29	PL6D	I/O
J28	PL5D	I/O
G31	PL4B	I/O
G30	PL4C	I/O
G29	V _{DD2}	V _{DD2}
H28	PL3A	I/O
F31	PL3B	I/O
F30	PL3C	I/O
F29	PL3D	I/O
E31	PL2A	I/O
E30	PL2B	I/O
E29	PL2C	I/O
F28	PL2D	I/O-A0/MPI_BE0
D31	PL1A	I/O
D30	PL1B	I/O
D29	PL1C	I/O
E28	PL1D	I/O
D27	PRD_DATA	RD_DATA/TDO
C28	PT1A	I/O-TCK
B28	PT1B	I/O
A28	PT1C	I/O
D26	PT1D	I/O
C27	PT2A	I/O
B27	PT2B	I/O
A27	PT2C	I/O
C26	PT2D	I/O
B26	PT3A	I/O
A26	PT3B	I/O
D24	PT3C	I/O

Pin	ORT4622 Pad	Function
C25	PT3D	I/O
B25	PT4A	I/O-TMS
A25	PT4B	I/O
D23	PT4C	I/O
C24	PT4D	I/O
B24	V _{DD2}	V _{DD2}
C23	PT5B	I/O
D22	PT5C	I/O
B23	PT5D	I/O
A23	PT6A	I/O-TDI
C22	PT6D	I/O
B22	PT7A	I/O
A22	PT7D	I/O
C21	PT8A	I/O
D20	PT8D	I/O
B21	PT9A	I/O
A21	PT9D	I/O
C20	PT10A	I/O-DOUT
D19	PT10D	I/O
B20	PT11A	I/O
C19	PT11C	I/O
B19	PT11D	I/O
D18	PT12A	I/O-D0/DIN
A19	PT12C	I/O
C18	PT12D	I/O
B18	PT13A	I/O
A18	PT13C	I/O
C17	PT13D	I/O-D1
B17	PT14A	I/O-D2
A17	V _{DD2}	V _{DD2}
B16	PT14C	I/O
D16	PT14D	I/O
C16	PT15A	I/O-D3
A15	PT15B	I/O
B15	PT15C	I/O
C15	PECKT	I/O-ECKT
A14	PT16A	I/O-D4
B14	PT16B	I/O
C14	PT16D	I/O

Discontinued Product (PCN#03-08). Contact Rochester Electronics for Availability.
www.latticesemi.com/sales/

Pin Information (continued)

Table 43. 432-Pin EPGA Pinout (continued)

Pin	ORT4622 Pad	Function	Pin	ORT4622 Pad	Function
A13	PT17A	I/O	A3	Vss	Vss
D14	PT17B	I/O	A30	Vss	Vss
B13	PT17D	I/O	A8	Vss	Vss
C13	PT18A	I/O-D5	AD1	Vss	Vss
B12	PT18B	I/O	AD31	Vss	Vss
D13	VDD2	VDD2	AJ1	Vss	Vss
C12	PT19A	I/O	AJ2	Vss	Vss
A11	PT19D	I/O	AJ30	Vss	Vss
B11	PT20A	I/O	AJ31	Vss	Vss
D12	PT20D	I/O-D6	AK1	Vss	Vss
C11	PT21A	I/O	AK29	Vss	Vss
A10	PT21D	I/O	AK3	Vss	Vss
B10	PT22D	I/O	AK31	Vss	Vss
C10	PT23B	I/O	AL12	Vss	Vss
A9	PT23C	I/O	AL16	Vss	Vss
B9	VDD2	VDD2	AL2	Vss	Vss
D10	PT24A	I/O	AL20	Vss	Vss
C9	PT24B	I/O	AL24	Vss	Vss
B8	PT24C	I/O	AL29	Vss	Vss
C8	PT24D	I/O-D7	AL3	Vss	Vss
D9	PT25A	I/O	AL30	Vss	Vss
A7	PT25B	I/O	AL8	Vss	Vss
B7	PT25C	I/O	B1	Vss	Vss
C7	PT25D	I/O	B29	Vss	Vss
D8	PT26A	I/O	B3	Vss	Vss
A6	PT26B	I/O	B31	Vss	Vss
B6	PT26C	I/O	C1	Vss	Vss
C6	PT26D	I/O	C2	Vss	Vss
A5	PT27A	I/O-RDY/RCLK	C30	Vss	Vss
B5	PT27B	I/O	C31	Vss	Vss
C5	PT27C	I/O	H1	Vss	Vss
D6	PT27D	I/O	H31	Vss	Vss
A4	PT28A	I/O	M1	Vss	Vss
B4	PT28B	I/O	M31	Vss	Vss
C4	PT28C	I/O	T1	Vss	Vss
D5	PT28D	I/O-SECKUR	T31	Vss	Vss
A12	Vss	Vss	Y1	Vss	Vss
A16	Vss	Vss	Y31	Vss	Vss
A2	Vss	Vss	A1	VDD	VDD
A20	Vss	Vss	A31	VDD	VDD
A24	Vss	Vss	AA28	VDD	VDD
A29	Vss	Vss	AA4	VDD	VDD

Discontinued Product (PCN#03-08). Contact Rochester Electronics for Availability.
www.latticesemi.com/sales/

Pin Information (continued)

Table 43. 432-Pin EPGA Pinout (continued)

Pin	ORT4622 Pad	Function
AE28	V _{DD}	V _{DD}
AE4	V _{DD}	V _{DD}
AH11	V _{DD}	V _{DD}
AH15	V _{DD}	V _{DD}
AH17	V _{DD}	V _{DD}
AH21	V _{DD}	V _{DD}
AH25	V _{DD}	V _{DD}
AH28	V _{DD}	V _{DD}
AH4	V _{DD}	V _{DD}
AH7	V _{DD}	V _{DD}
AJ29	V _{DD}	V _{DD}
AJ3	V _{DD}	V _{DD}
AK2	V _{DD}	V _{DD}
AK30	V _{DD}	V _{DD}
AL1	V _{DD}	V _{DD}
AL31	V _{DD}	V _{DD}
B2	V _{DD}	V _{DD}
B30	V _{DD}	V _{DD}

Pin	ORT4622 Pad	Function
C29	V _{DD}	V _{DD}
C3	V _{DD}	V _{DD}
D11	V _{DD}	V _{DD}
D15	V _{DD}	V _{DD}
D17	V _{DD}	V _{DD}
D21	V _{DD}	V _{DD}
D25	V _{DD}	V _{DD}
D28	V _{DD}	V _{DD}
D4	V _{DD}	V _{DD}
D7	V _{DD}	V _{DD}
G28	V _{DD}	V _{DD}
G4	V _{DD}	V _{DD}
L28	V _{DD}	V _{DD}
L4	V _{DD}	V _{DD}
R28	V _{DD}	V _{DD}
R4	V _{DD}	V _{DD}
U28	V _{DD}	V _{DD}
U4	V _{DD}	V _{DD}

Discontinued Product (PCN#03-08). Contact Rochester Electronics for Availability.
www.latticesemi.com/sales/

Package Thermal Characteristics Summary

There are three thermal parameters that are in common use: Θ_{JA} , ψ_{JC} , and Θ_{JC} . It should be noted that all the parameters are affected, to varying degrees, by package design (including paddle size) and choice of materials, the amount of copper in the test board or system board, and system airflow.

Θ_{JA}

This is the thermal resistance from junction to ambient (theta-JA, R-theta, etc.).

$$\Theta_{JA} = \frac{T_J - T_A}{Q}$$

where T_J is the junction temperature, T_A is the ambient air temperature, and Q is the chip power.

Experimentally, Θ_{JA} is determined when a special thermal test die is assembled into the package of interest, and the part is mounted on the thermal test board. The diodes on the test chip are separately calibrated in an oven. The package/board is placed either in a JEDEC natural convection box or in the wind tunnel, the latter for forced convection measurements. A controlled amount of power (Q) is dissipated in the test chip's heater resistor, the chip's temperature (T_J) is determined by the forward drop on the diodes, and the ambient temperature (T_A) is noted. Note that Θ_{JA} is expressed in units of °C/watt.

ψ_{JC}

This JEDEC designated parameter correlates the junction temperature to the case temperature. It is generally used to infer the junction temperature while the device is operating in the system. It is not considered a true thermal resistance, and it is defined by:

$$\psi_{JC} = \frac{T_J - T_C}{Q}$$

where T_C is the case temperature at top dead center, T_J is the junction temperature, and Q is the chip power. During the Θ_{JA} measurements described above, besides the other parameters measured, an additional temperature reading, T_C , is made with a thermocouple attached at top-dead-center of the case. ψ_{JC} is also expressed in units of °C/W.

Θ_{JC}

This is the thermal resistance from junction to case. It is most often used when attaching a heat sink to the top of the package. It is defined by:

$$\Theta_{JC} = \frac{T_J - T_C}{Q}$$

The parameters in this equation have been defined above. However, the measurements are performed with the case of the part pressed against a water-cooled heat sink to draw most of the heat generated by the chip out the top of the package. It is this difference in the measurement process that differentiates Θ_{JC} from ψ_{JC} . Θ_{JC} is a true thermal resistance and is expressed in units of °C/W.

Θ_{JB}

This is the thermal resistance from junction to board (Θ_{JL}). It is defined by:

$$\Theta_{JB} = \frac{T_J - T_B}{Q}$$

where T_B is the temperature of the board adjacent to a lead measured with a thermocouple. The other parameters on the right-hand side have been defined above. This is considered a true thermal resistance, and the measurement is made with a water-cooled heat sink pressed against the board to draw most of the heat out of the leads. Note that Θ_{JB} is expressed in units of °C/W, and that this parameter and the way it is measured are still in JEDEC committee.

FPGA Maximum Junction Temperature

Once the power dissipated by the FPGA has been determined (see the Estimating Power Dissipation section), the maximum junction temperature of the FPGA can be found. This is needed to determine if speed derating of the device from the 85 °C junction temperature used in all of the delay tables is needed. Using the maximum ambient temperature, T_{Amax} , and the power dissipated by the device, Q (expressed in °C), the maximum junction temperature is approximated by:

$$T_{Jmax} = T_{Amax} + (Q \cdot \Theta_{JA})$$

Table 44 lists the thermal characteristics for all packages used with the *ORCA* ORT4622 Series of FPGAs.

Discontinued Product (PCN#03-08). Contact Rochester Electronics for Availability.
www.latticesemi.com/sales/

Package Thermal Characteristics

Table 44. *ORCA* ORT4622 Plastic Package Thermal Guidelines

Package	Θ_{JA} (°C/W)			T = 70 °C Max T _J = 125 °C Max 0 fpm (W)
	0 fpm	200 fpm	500 fpm	
432-Pin EBGA	11	8.5	5	5

Package Coplanarity

The coplanarity limits of the *ORCA* Series 3/3+ packages are as follows:

- EBGA: 8.0 mils

Package Parasitics

The electrical performance of an IC package, such as signal quality and noise sensitivity, is directly affected by the package parasitics. Table 45 lists eight parasitics associated with the *ORCA* packages. These parasitics represent the contributions of all components of a package, which include the bond wires, all internal package routing, and the external leads.

Four inductances in nH are listed: LSW and LSL, the self-inductance of the lead; and LMW and LML, the mutual inductance to the nearest neighbor lead. These parameters are important in determining ground bounce noise and inductive crosstalk noise. Three capacitances in pF are listed: C_M, the mutual capacitance of the lead to the nearest neighbor lead; and C₁ and C₂, the total capacitance of the lead to all other leads (all other leads are assumed to be grounded). These parameters are important in determining capacitive crosstalk and the capacitive loading effect of the lead. Resistance values are in mΩ.

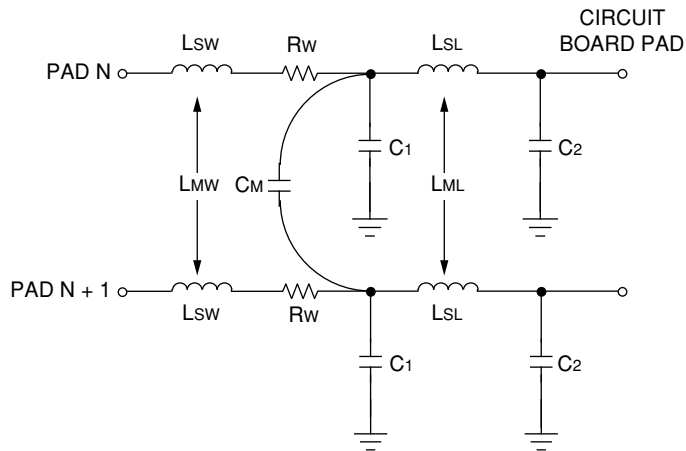
The parasitic values in Table 45 are for the circuit model of bond wire and package lead parasitics. If the mutual capacitance value is not used in the designer's model, then the value listed as mutual capacitance should be added to each of the C₁ and C₂ capacitors.

Discontinued Product (PCN#03-08). Contact Rochester Electronics for Availability.
www.latticesemi.com/sales/discontinueddevicesales.cfm

Package Parasitics (continued)

Table 45. ORCA ORT4622 Package Parasitics

Package Type	L _{SW}	L _{MW}	R _W	C ₁	C ₂	C _M	L _{SL}	L _{ML}
432-Pin EBGA	4	1.5	500	1.0	1.0	0.3	3—5.5	0.5—1



5-3862(C)r2

Figure 34. Package Parasitics

**Discontinued Product (PCN#03-08). Contact Rochester Electronics for Availability.
www.latticesemi.com/sales/discontinueddevicesales.cfm**

Package Outline Diagram

Terms and Definitions

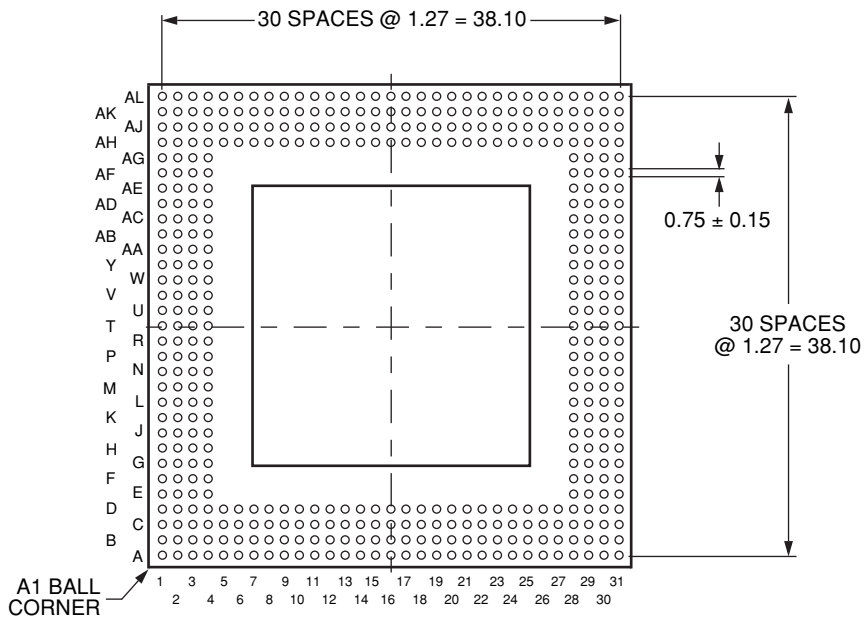
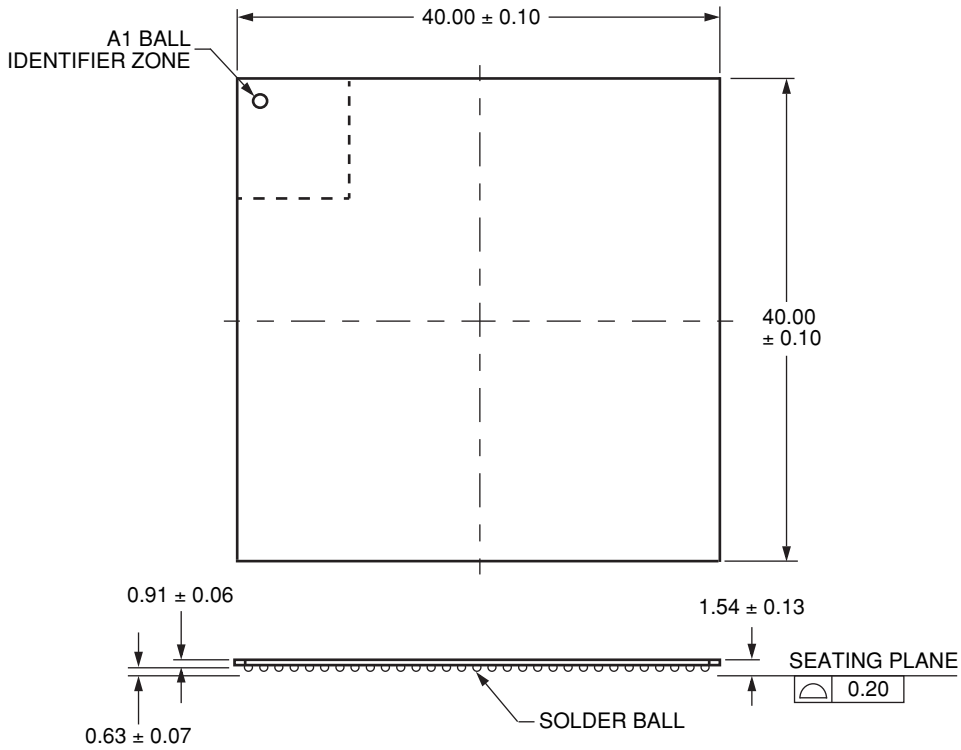
Basic Size (BSC):	The basic size of a dimension is the size from which the limits for that dimension are derived by the application of the allowance and the tolerance.
Design Size:	The design size of a dimension is the actual size of the design, including an allowance for fit and tolerance.
Typical (TYP):	When specified after a dimension, this indicates the repeated design size if a tolerance is specified or repeated basic size if a tolerance is not specified.
Reference (REF):	The reference dimension is an untoleranced dimension used for informational purposes only. It is a repeated dimension or one that can be derived from other values in the drawing.
Minimum (MIN) or Maximum (MAX):	Indicates the minimum or maximum allowable size of a dimension.

**Discontinued Product (PCN#03-08). Contact Rochester Electronics for Availability.
www.latticesemi.com/sales/discontinueddevicesales.cfm**

Package Outline Diagram (continued)

432-Pin EBGA

Dimensions are in millimeters.



Discontinued Product (PCN#03-08). Contact Rochester Electronics for Availability.
www.latticesemi.com/sales/discontinueddevicessales.cfm

5-4406(F)

Ordering Information

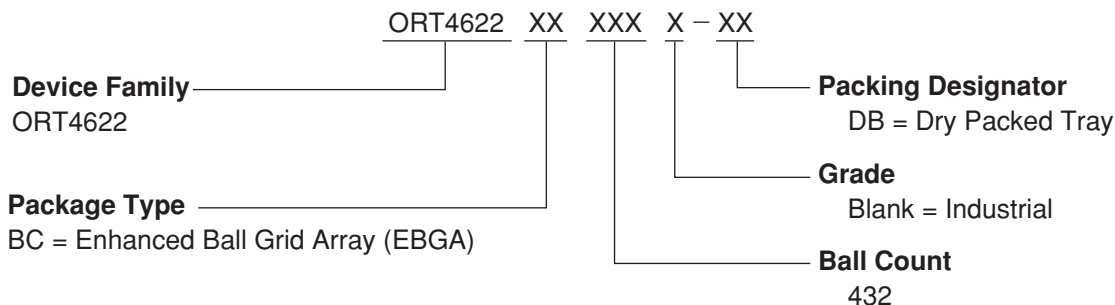


Table 46. Ordering Information

Device Family	Part Number	Package Type	Ball Count	Grade	Packing Designator
ORT4622	ORT4622BC432-DB	EBGA	432	C	DB

Discontinued Product (PCN#03-08). Contact Rochester Electronics for Availability.
www.latticesemi.com/sales/discontinueddevicesales.cfm