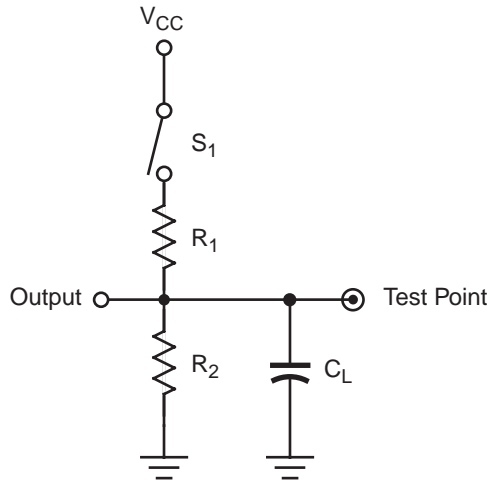


February 2002

Switching Test Circuit



Specification	S_1	C_L	Commercial		Measured Output Value
			R_1	R_2	
t_{PD}, t_{CO}	Closed	35 pF (30 pF)	300 Ω (1.6 K Ω)	390 Ω (1.6 K Ω)	1.5 V
t_{EA}	Z \rightarrow H: Open Z \rightarrow L: Closed				
t_{ER}	H \rightarrow Z: Open L \rightarrow Z: Closed	5 pF			H \rightarrow Z: $V_{OH} - 0.5$ V L \rightarrow Z: $V_{OL} + 0.5$ V

Notes:

1. Values in parentheses are for 3.3-V devices.
2. Measurements are taken at minimum V_{CC} with no more than 4 blocks loading and no more than 4 I/Os switching with a maximum Commercial junction temperature of 100 °C, or Industrial junction temperature of 115 °C.