



# CNN Accelerator IP Core

## User Guide

FPGA-IPUG-02037-2.0

May 2019

## Disclaimers

Lattice makes no warranty, representation, or guarantee regarding the accuracy of information contained in this document or the suitability of its products for any particular purpose. All information herein is provided AS IS and with all faults, and all risk associated with such information is entirely with Buyer. Buyer shall not rely on any data and performance specifications or parameters provided herein. Products sold by Lattice have been subject to limited testing and it is the Buyer's responsibility to independently determine the suitability of any products and to test and verify the same. No Lattice products should be used in conjunction with mission- or safety-critical or any other application in which the failure of Lattice's product could create a situation where personal injury, death, severe property or environmental damage may occur. The information provided in this document is proprietary to Lattice Semiconductor, and Lattice reserves the right to make any changes to the information in this document or to any products at any time without notice.

## Contents

1. Introduction .....	5
1.1. Quick Facts .....	5
1.2. Features .....	5
2. Functional Descriptions .....	6
2.1. Overview .....	6
2.2. Interface Descriptions .....	7
2.2.1. Control and Status Interface .....	9
2.2.2. Input Data Interface .....	10
2.2.3. Result Interface .....	10
2.2.4. DRAM Interface .....	10
2.3. Clock Domain .....	10
2.4. Reset Behavior .....	11
2.5. Register Description .....	12
2.6. Operation Sequence .....	12
2.6.1. Command Format .....	12
2.6.2. Input Data Format .....	12
2.6.3. Output Data Format .....	13
2.7. Supported Commands .....	13
3. Parameter Settings .....	14
4. IP Generation and Evaluation .....	17
4.1. Licensing the IP .....	17
4.2. Generation and Synthesis .....	17
4.2.1. Getting Started .....	17
4.2.2. Configuring the IP Core in Clarity .....	18
4.2.3. Instantiating the IP Core .....	18
4.3. Running Functional Simulation .....	19
4.4. Hardware Evaluation .....	19
5. Ordering Part Number .....	20
References .....	21
Technical Support Assistance .....	21
Appendix A. Resource Utilization .....	22
Revision History .....	23

## Figures

Figure 2.1. Functional Block Diagram .....	6
Figure 2.2. CNN Accelerator IP Core Interface Diagram .....	7
Figure 2.3. Control and Status Interface Timing Diagram.....	9
Figure 2.4. Input Data Interface Timing Diagram .....	10
Figure 2.5. Result Interface Timing Diagram.....	10
Figure 2.6. Reset Timing Diagram .....	11
Figure 2.7. Reset Timing Diagram .....	11
Figure 2.8. Command format.....	12
Figure 3.1. CNN Accelerator IP Core Configuration User Interface .....	14
Figure 4.1. CNN Accelerator IP Core in Clarity Designer Catalog Tab .....	17

## Tables

Table 1.1. Quick Facts .....	5
Table 2.1. CNN Accelerator IP Core Signal Descriptions .....	7
Table 3.1. Attributes Table .....	14
Table 3.2. Attributes Descriptions .....	15
Table 3.3. Combinations of Use Paired Convolution Engine and NO Convolution Selection Mux settings.....	16
Table 4.1. File List .....	18
Table A.1. Performance and Resource Utilization <sup>1</sup> .....	22

# 1. Introduction

The Lattice Semiconductor CNN Accelerator IP Core is a calculation engine for Deep Neural Network with fixed point weight or binarized weight. It calculates full layers of Neural Network including convolution layer, pooling layer, batch normalization layer, and full connect layer by executing sequence code with weight value which is generated by Lattice SensAI Neural Network Compiler. The engine is optimized for convolutional neural network, so it can be used for vision-based application such as classification or object detection and tracking. The IP Core does not require an extra processor; it can perform all required calculations by itself.

The design is implemented in Verilog HDL. It can be targeted to ECP5 and ECP5-5G FPGA devices, and implemented using the Lattice Diamond® Software Place and Route tool integrated with the Synplify Pro® synthesis tool.

## 1.1. Quick Facts

Table 1.1 presents a summary of the CNN Accelerator IP Core.

**Table 1.1. Quick Facts**

IP Requirements	FPGA Families Supported	ECP5, ECP5-5G
Resource Utilization	Targeted Device	Full configuration: 85k devices in ECP5 families Reduced configuration: All devices in ECP5 families
	Supported User Interface	AXI3, Native interfaces as described in <a href="#">Interface Descriptions</a> section.
	Resources	See <a href="#">Table A.1</a> .
Design Tool Support	Lattice Implementation	Lattice Diamond Design Suite 3.10
	Synthesis	Lattice Synthesis Engine Synopsys® Synplify Pro, M-2017.03LR-SP1-1
	Simulation	For a list of supported simulators, see the Lattice Diamond User Guide.

## 1.2. Features

The key features of the CNN Accelerator IP Core include:

- Support for convolution layer, max/ave pooling layer, batch normalization layer, and full connect layer
- Configurable bit width of weight (16-bit, 1-bit)
- Configurable bit width of activation (16/8-bit, 1-bit)
- Dynamic support for 16-bit and 8-bit width of activation
- Configurable number of memory blocks for tradeoff between resource and performance
- Configurable number of convolution engines for tradeoff between resource and performance
- Optimization for 3x3 2D convolution calculation
- Dynamic support for various 1D convolution from 1 to 72 taps
- Supports max pooling with overlap (For example, kernel 3, stride 2)
- Supports average pooling for 2x2 convolution
- Supports global average pooling by full connect engine
- Supports paired convolution engines to improve performance
- Configurable input byte mode (signed, unsigned, disable)
- Partial DRAM access
- Configurable maximum burst length (32, 256)

## 2. Functional Descriptions

### 2.1. Overview

The CNN Accelerator IP Core performs a series of calculations per command sequence that is generated by the Lattice Neural Network Compiler tool. Commands must be written at DRAM address specified by the `i_code_base_addr` signal which is accessible through AXI BUS. Input data may be read from DRAM at a pre-defined address or directly written through the input data write port. After command code and input data are available, CNN Accelerator IP Core starts calculation at the rising edge of start signal. During calculation, intermediate data and final result may be transferred to DRAM or fed out through the result write port. All operations are fully-programmable by command code.

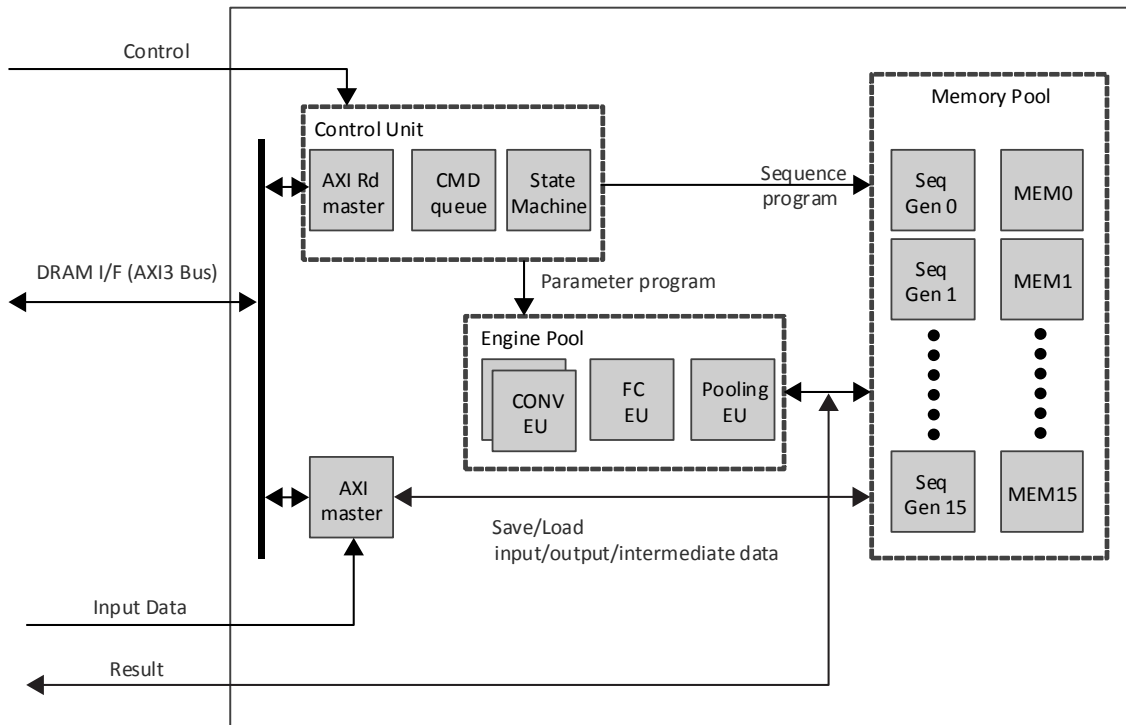


Figure 2.1. Functional Block Diagram

## 2.2. Interface Descriptions

Figure 2.2 shows the interface diagram for the CNN Accelerator IP Core. The diagram shows all of the available ports for the IP core.

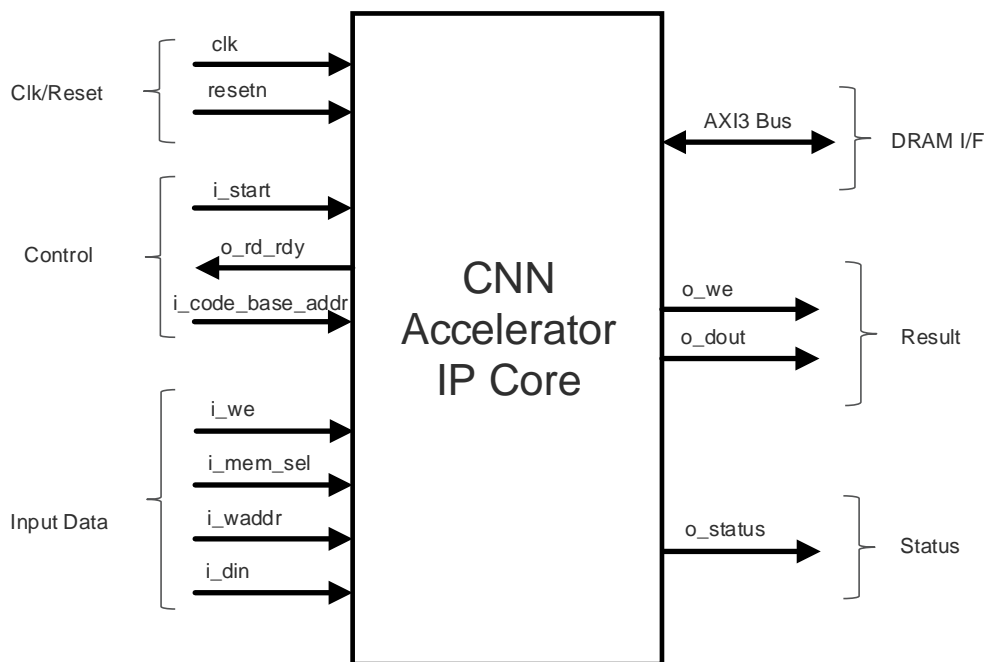


Figure 2.2. CNN Accelerator IP Core Interface Diagram

Table 2.1. CNN Accelerator IP Core Signal Descriptions

Pin Name	Direction	Function Description
<b>Clock/Reset</b>		
clk	Input	System clock Frequency can be chosen by trade-off between power and performance.
resetn	Input	Active low system reset that is synchronous to clk signal and is asynchronous to ack signal. [0]: Resets all ports and sets internal registers to their default values. [1]: Reset is NOT active
<b>Control and Status</b>		
i_code_base_addr[31:0]	Input	This signal specifies the base/start address that is read by CNN Accelerator IP Core to get the command code. External logic should write the command code to this address. This signal must be set before start of operation.
i_start	Input	Start execution signal. Level sensitive. Must deassert after o_rd_rdy going 0.
o_rd_rdy	Output	Ready signal. [0]: Engine is busy/running. [1]: Engine is idle and ready to get input. External logic should write input data to internal memory only during o_rd_rdy is high.
o_status	Output	Debug information [0]: If bit value is 1, engines are running except full connect engine. [1]: If bit value is 1, full connect engine is running. [2]: If bit value is 1, AXI bus transfer is ongoing. [3]: If bit value is 1, during engine is running. [4]: If bit value is 1, command FIFO is reading. [5]: If bit value is 1, during DRAM access. [6]: If bit value is 1, DRAM command is issued.

Pin Name	Direction	Function Description
		[7]: If bit value is 1, engine is waiting for FIFO fill.
<b>Input Data</b>		
i_mem_sel[3:0]	Input	Memory select signal for routing the write access to one of the 16 internal memories from Memory Pool. [0]: MEM0 is selected for write [1]: MEM1 is selected for write ... [15]: MEM15 is selected for write
i_we	Input	Write enable signal for internal memory [0]: No write transaction [1]: Write transaction is enabled, i_din and i_waddr are valid
i_waddr[12:0]	Input	Write address signal for internal memory
i_din[15:0]	Input	Input data signal for internal memory
<b>Result</b>		
o_we	Output	Write enable of result, indicates result data is valid [0]: Result data is NOT valid [1]: Result data is valid
o_dout[15:0]	Output	Result data
<b>DRAM I/F (AXI3 Bus)</b>		
aclk	Input	AXI3 clock signal. Fully asynchronous from clk. Recommend to use DRAM system clock.
A2M_AWID[7:0]	Output	AXI3 write address channel, write address ID signal <i>Constant output: 0x10</i>
A2M_AWADDR[31:0]	Output	AXI3 write address channel, write address signal
A2M_AWLEN[7:0]	Output	AXI3 write address channel, burst length signal
A2M_AWSIZE[2:0]	Output	AXI3 write address channel, burst size signal <i>Constant output: 3'b011 (8 bytes per beat)</i>
A2M_AWBURST[1:0]	Output	AXI3 write address channel, burst type signal <i>Constant output: 3'b01 (INCR)</i>
A2M_AWLOCK[1:0]	Output	AXI3 write address channel, lock type signal <i>Constant output: 3'b00 (Normal Access)</i>
A2M_AWCACHE[3:0]	Output	AXI3 write address channel, memory type signal <i>Constant output: 0x00 (Device Non-bufferable)</i>
A2M_AWPROT[2:0]	Output	AXI3 write address channel, protection type signal <i>Constant output: 3'b000 (Secure Access)</i>
A2M_AWVALID	Output	AXI3 write address channel, write address valid signal
A2M_AWREADY	Input	AXI3 write address channel, write address ready signal
A2M_WID[7:0]	Output	AXI3 write data channel, write ID tag signal <i>Constant output: 0x10</i>
A2M_WDATA[ 63:0]	Output	AXI3 write data channel, write data signal
A2M_WSTRB[ 7:0]	Output	AXI3 write data channel, write strobe signal <i>Constant output: 0xFF</i>
A2M_WLAST	Output	AXI3 write data channel, write last signal
A2M_WVALID	Output	AXI3 write data channel, write valid signal
A2M_WREADY	Input	AXI3 write data channel, write ready signal
A2M_BID[7:0]	Input	AXI3 write response channel, response ID tag signal
A2M_BRESP[1:0]	Input	AXI3 write response channel, write response signal
A2M_BVALID	Input	AXI3 write response channel, write response valid signal
A2M_BREADY	Output	AXI3 write response channel, response ready signal <i>Constant output: 1'b1 (AXI3 write response channel is ignored)</i>
A2M_ARID[7:0]	Output	AXI3 read address channel, read address ID signal



Pin Name	Direction	Function Description
		0x00: AXI Master for Memory Pool 0x10: AXI Rd Master in Control Unit Refer to Figure 2.1 for the AXI Masters
A2M_ARADDR[31:0]	Output	AXI3 read address channel, read address signal
A2M_ARLEN[7:0]	Output	AXI3 read address channel, burst length signal
A2M_ARSIZE[2:0]	Output	AXI3 read address channel, burst size signal <i>Constant output: 3'b011 (8 bytes per beat)</i>
A2M_ARBURST[1:0]	Output	AXI3 read address channel, burst type signal <i>Constant output: 3'b01 (INCR)</i>
A2M_ARLOCK[1:0]	Output	AXI3 read address channel, lock type signal <i>Constant output: 3'b00 (Normal Access)</i>
A2M_ARCACHE[3:0]	Output	AXI3 read address channel, memory type signal <i>Constant output: 0x01 (Device Bufferable)</i>
A2M_ARPROT[2:0]	Output	AXI3 read address channel, protection type signal <i>Constant output: 3'b010 (Non-secure Access)</i>
A2M_ARVALID	Output	AXI3 read address channel, read address valid signal
A2M_ARREADY	Input	AXI3 read address channel, read address ready signal
A2M_RID[7:0]	Input	AXI3 Read data channel, read ID tag signal
A2M_RDATA[ 63:0]	Input	AXI3 Read data channel, read data signal
A2M_RRESP[1:0]	Input	AXI3 Read data channel, read response signal
A2M_RLAST	Input	AXI3 Read data channel, read last signal
A2M_RVALID	Input	AXI3 Read data channel, read valid signal
A2M_RREADY	Output	AXI3 Read data channel, read ready signal

### 2.2.1. Control and Status Interface

After reset or when engine is idle, `o_rd_rdy` is high. During this state, external logic may perform the following:

1. Write input data through Input Data interface
2. Set the start address of command code to `i_code_base_addr` signal

After the above steps, external logic must assert `i_start` signal. Engine starts execution when it gets `i_start = 1` and `o_rd_rdy` goes 0. During execution, each bit of `o_status` indicates activity of sub calculation engine or AXI BUS. After finishing execution, that is by getting finish command, the CNN Accelerator IP Core asserts `o_rd_rdy` and waits for the next execution. Repeat from asserting `i_start`. This is shown in [Figure 2.3](#).

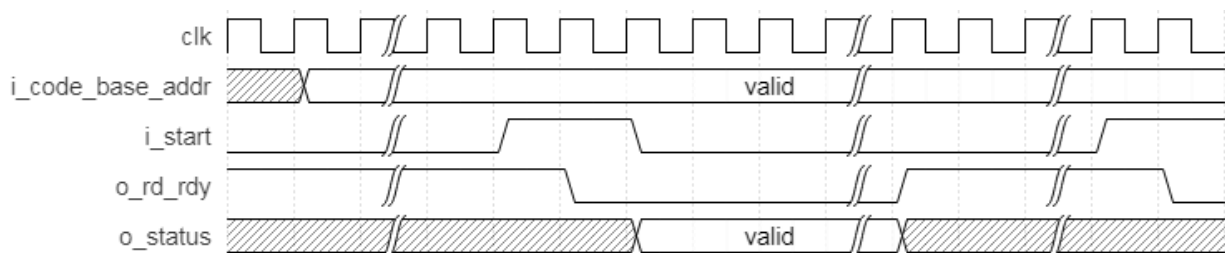


Figure 2.3. Control and Status Interface Timing Diagram

### 2.2.2. Input Data Interface

Input data can be written to DRAM by external logic. In this case, loading from DRAM for input data must be in command codes. Also, if input data is small enough to hold internal memory, writing to DRAM and reading back to CNN Accelerator IP Core may be waste of cycle time and energy. In that case, external logic can write input data to internal memory of CNN Accelerator IP Core during idle state (*o\_rd\_rdy* is high). Interface is based on simple SRAM interface with memory ID as shown in Figure 2.4. Memory ID and address must be matched to command code. Because it is SRAM interface, there is no required order or rule; any random access including memory ID. Overwriting of same address is also accepted.

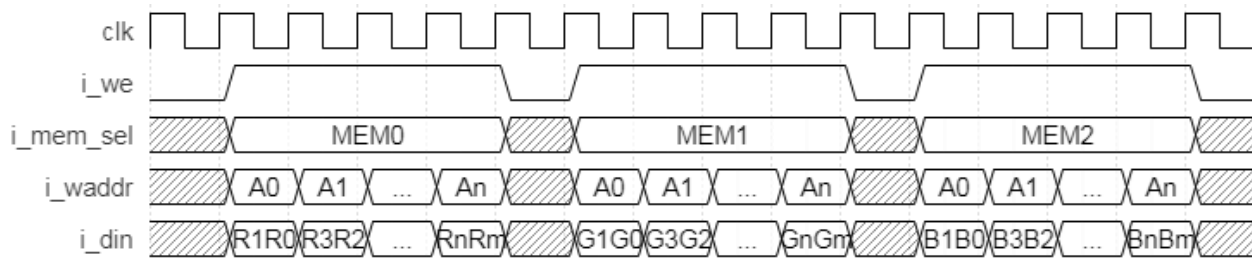


Figure 2.4. Input Data Interface Timing Diagram

### 2.2.3. Result Interface

Result, that is, final Blob data of neural network can be written to DRAM per command code. In this case, external logic should read result data from DRAM. However, command code can also simply feed result data to external logic through this interface. Interface consists *o\_we* as valid indicator and *o\_dout* as 16-bit data as shown in Figure 2.5. Usually, it is a single burst series of 16-bit data. Also, it is fully programmable by command code.

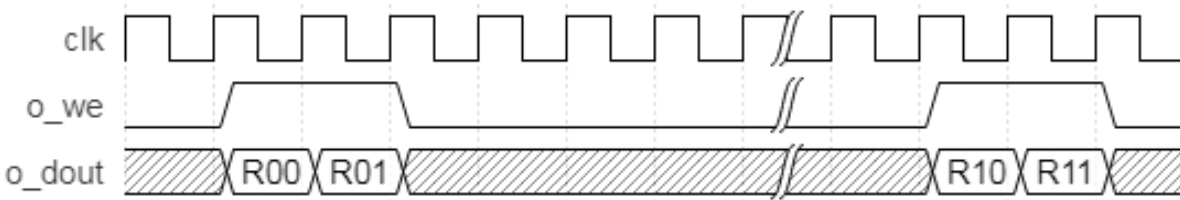


Figure 2.5. Result Interface Timing Diagram

### 2.2.4. DRAM Interface

Command code must be written in DRAM before execution of CNN Accelerator IP Core. Input data may be written in DRAM too. During execution of CNN Accelerator IP Core, it reads command code from DRAM and does calculation with internal sub execution engine per command code. Intermediate data may be transferred from/to DRAM per command code.

Please refer to [AXI3 Protocol Specification](#) for the timing diagram of DRAM Interface.

## 2.3. Clock Domain

The *clk* and *ack* domains are shown Figure 2.6. The difference in clock is absorbed by Lattice Dual Clocked FIFO IP (FIFO\_DC) and is implemented in AXI Rd Master and AXI Master sub-blocks.

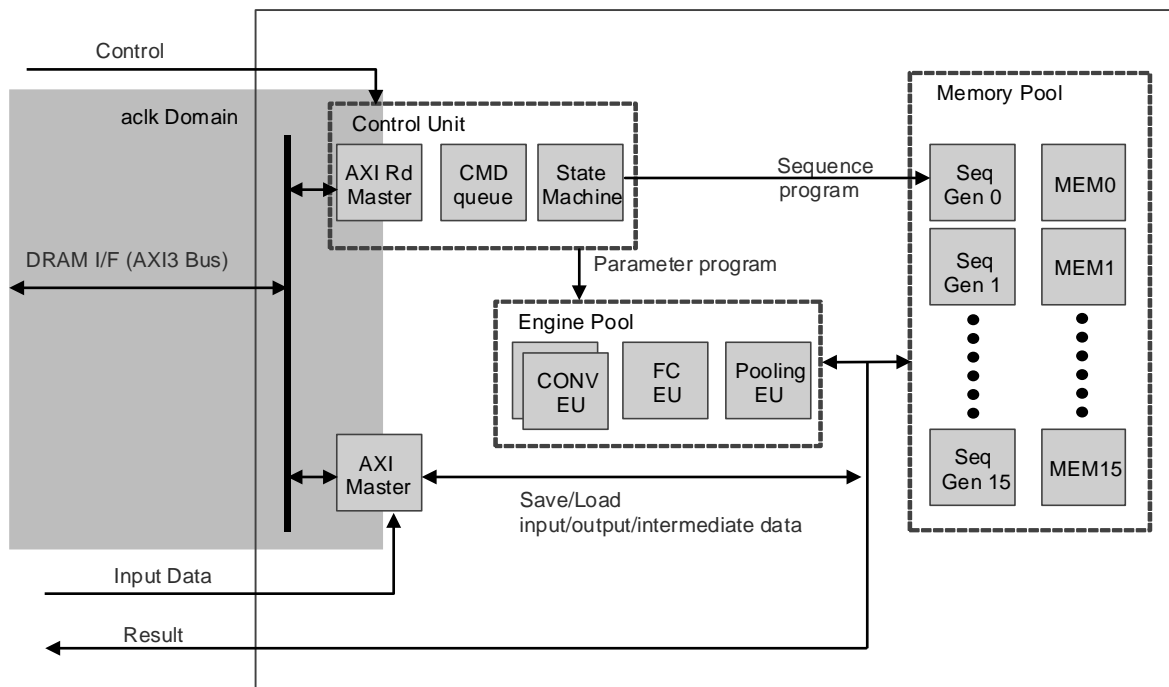


Figure 2.6. Reset Timing Diagram

## 2.4. Reset Behavior

When resetn signal asserts, output ports return to logic 0 in the next cycle. When resetn deasserts, output ready signals assert in the next cycle. A timing diagram of reset during AXI3 access is shown as an example in Figure 2.7. Not all AXI3 output signals are shown in this figure. The clk and ackl signals are 50% out-of-phase to show asynchronous relationship. The minimum resetn assert period is 1 cycle of the slower clock between clk and ackl.

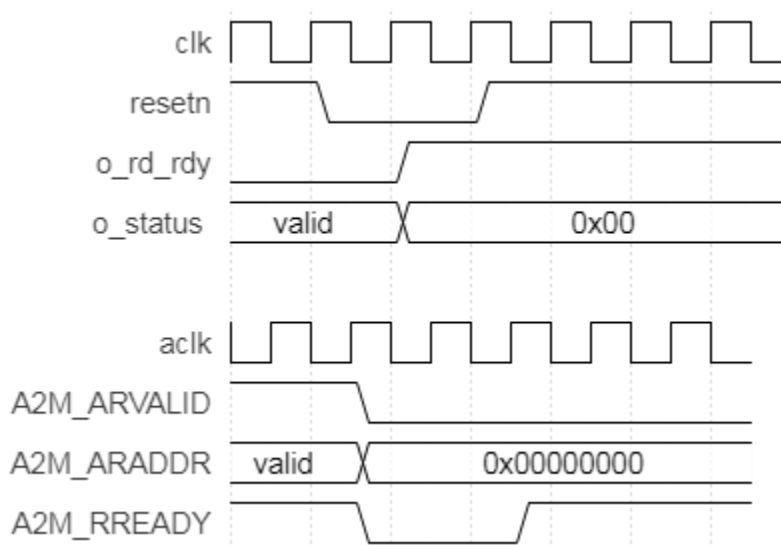


Figure 2.7. Reset Timing Diagram

Some AXI3 output signals are constant outputs; these are not affected by reset. Please refer to Table 2.1 for the AXI3 output signals that are constant.

## 2.5. Register Description

CNN Accelerator IP Core has no user-configurable register.

## 2.6. Operation Sequence

Operation sequence must be executed in the following steps:

1. Assert Reset.
2. Deassert Reset, `i_start` must be deasserted.
3. Write command sequence code which is generated by the Lattice SensAI Neural Network Compiler Software into DRAM starting at the address specified by `i_code_base_addr` signal.
4. Check whether `o_rd_rdy` is high or not. `o_rd_rdy` must be high. Otherwise, go back to step 1.
5. Write input data into DRAM at the proper address, which is decided by command sequence, or directly write into the internal memory block of the CNN Accelerator IP Core through input data ports.
6. Assert `i_start` and check `o_rd_rdy`. `o_rd_rdy` signal should be 0 after asserting `i_start`.
7. Deassert `i_start`.
8. Check `o_we` if code has direct output commands. Collect `o_dout` while `o_we == 1`.
9. Check `o_rd_rdy` and read result from DRAM if command code has storing result to DRAM code after `o_rd_rdy` going high.
10. Repeat from step 5.

### 2.6.1. Command Format

Command is a sequence of 32-bit data with or without additional parameters or weights as shown in Figure 2.8. It should be loaded at DRAM address specified by `i_code_base_addr` signal before execution. Command is generated by the Lattice SensAI Neural Network Compiler Software. For more information, refer to [Lattice SensAI Neural Network Compiler Software User Guide \(FPGA-UG-02052\)](#).

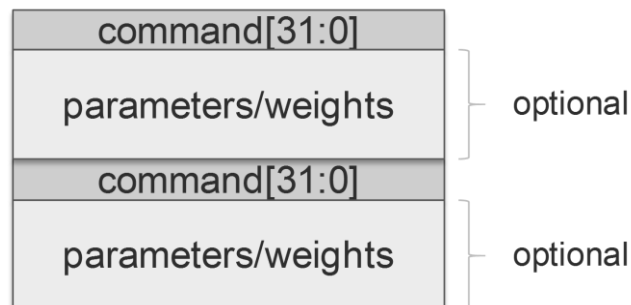


Figure 2.8. Command format

### 2.6.2. Input Data Format

Input data is a sequence of 8-bit or 16-bit data. Memory index and address are decided by Neural Network. Therefore, the external block should process input raw data and write input data to Lattice CNN Accelerator IP Core through input data write interface. Since CNN Accelerator IP Core has only 16-bit width interface, external block should pack two of 8-bit data if 8-bit width is used for input data layer.

For example, face detection neural network may take 32 x 32 of R, G, B planes at memory index 0 with address 0x0000 for Red plane, 0x0400 for Green plane and 0x0800 for Blue plane. Another example is object detection neural network may take 90 x 90 of R, G, B planes which are assigned to memory index 0, 1 and 2, respectively. Because memory assignment is defined by neural network, external block should handle input raw data, and write it to proper position of internal memory of CNN Accelerator IP Core.

Writing input data to DRAM and using Load command to fetch input data are also possible in the case of large input data. The IP core expects data in little-endian order.

The input data must agree with the Byte Mode attribute settings. Refer to [Table 3.2](#) for details.

### 2.6.3. Output Data Format

Output data is a sequence of 16-bit data which is controlled by commands. Amount of data is also decided by Neural Network, that is, by output blobs. External block should interpret output sequence and generate usable information. For example, face detection outputs 2-beat burst (two consecutive) of 16-bit data, the first is confidence of non-face while the second one is confidence of face. Whenever the latter is larger than the former, conclusion is Face. The IP core outputs data in little-endian order.

## 2.7. Supported Commands

Command sequences are generated by [Lattice SensAI Neural Network Compiler Software](#).

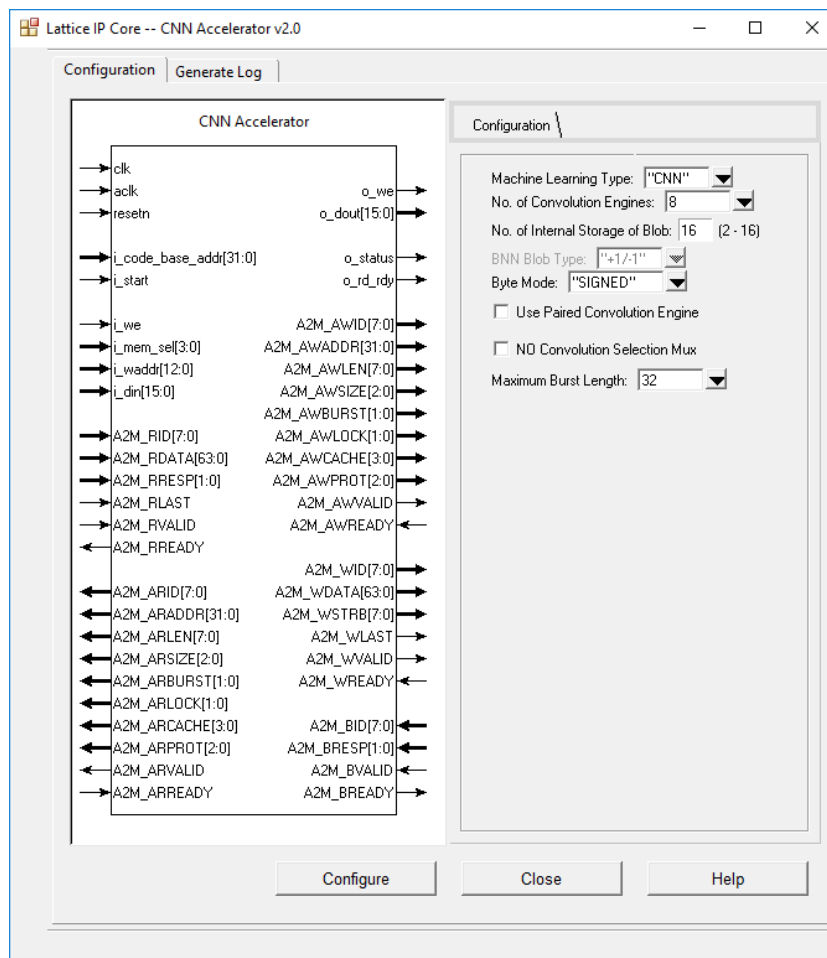
### 3. Parameter Settings

The Clarity Designer tool is used to create IP and architectural modules in the Diamond software. You may refer to the [IP Generation and Evaluation](#) section on how to generate the IP.

[Table 3.1](#) provides the list of user configurable attributes for the CNN Accelerator IP Core. The attribute values are specified using the IP core Configuration user interface in Clarity Designer as shown in [Figure 3.1](#).

**Table 3.1. Attributes Table**

Attribute	Selectable Values	Default	Dependency on Other Attributes
Machine Learning Type	CNN, BNN	CNN	—
No. of Convolution Engines	1 - 8	8	If NO Convolution Selection Mux is Checked, Selectable Values are reduced to {1, 2, 4, 8}
No. of Internal Storage of Blob	2 - 16	16	—
BNN Blob Type	+1/-1, +1/0	+1/-1	Valid only when Machine Learning Type = "BNN"
Byte Mode	SIGNED, UNSIGNED, DISABLE	SIGNED	—
Use Paired Convolution Engine	Unchecked, Checked	Unchecked	—
NO Convolution Selection Mux	Unchecked, Checked	Unchecked	—
Maximum Burst Length	32, 256	32	—



**Figure 3.1. CNN Accelerator IP Core Configuration User Interface**

**Table 3.2. Attributes Descriptions**

Attribute	Description
Machine Learning Type	This option allows you to choose between CNN engine and BNN engine. CNN engine always uses 16-bit fixed point weight, while BNN only uses 1-bit weight. Based on required performance, accuracy and available capacity, you should select Machine Learning Type.
No. of Convolution Engines	This option allows you to specify the number of convolution engines. For 1D convolution: <ul style="list-style-type: none"> <li>• 1-9 taps can be performed for each engine</li> <li>• Up to 72 taps by chaining 8 engines</li> </ul> For 2D Convolution: <ul style="list-style-type: none"> <li>• 3 x 3 convolution per cycle per engine</li> </ul> You should trade-off between required size and performance.
No. of Internal Storage of Blob	Each storage can store up to 16 kB. You should trade-off between required size and performance. In order to fully utilize convolution engines, number of storage must be larger than number of convolution engines. Recommend set 2x of number of convolution engines.
BNN Blob Type	Selects the type of binary blob data, either +1/-1 or +1/0. This setting should be matched to the Lattice Neural Network Compiler.
Byte Mode	Specifies the byte mode of input data. SIGNED – input data is signed 16-bit/8-bit data, similar to v1.1. UNSIGNED – input data is signed 16-bit data or unsigned 8-bit data. DISABLE – input data is unsigned 16-bit data only. This option saves LUT because the byte mode support is not implemented.
Use Paired Convolution Engine	Enables the use of paired convolution engine. Unchecked – Not use paired convolution engine, similar to v1.1. Checked – Use paired convolution engine. The total number of convolution engine will be double of the No. of Convolution Engines value.
NO Convolution Selection Mux	Disables the use of convolution selection multiplexor. Unchecked – Use of convolution selection multiplexor, similar to v1.1. Checked – Use dedicated connection instead of multiplexor.
Maximum Burst Length	Specifies the maximum burst length of AXI3 bus. This should be set less than or equal to the maximum burst length that is supported by the connected slave device/memory.

Any combination of Use Paired Convolution Engine and NO Convolution Selection Mux settings are supported. It is recommended to use NO Convolution Selection Mux=Checked because it will use less LUT with no negative side effect. However, this is only supported in SensAI v2.0. The NO Convolution Selection Mux=Unchecked is for backward compatibility.

The Use Paired Convolution Engine has its pros and cons:

- **Pro** – Enhances performance of convolution calculation
- **Con** – Increase DSP and LUT consumption and may reduce operation frequency of the core clock

You should carefully choose setting based on resource and calculation requirement. For example, if neural network does not have much convolution calculation, overall performance may be reduced when using Use Paired Convolution Engine=Checked due to slower clock. The summary of Use Paired Convolution Engine and NO Convolution Selection Mux setting combination is shown in [Table 3.3](#).

**Table 3.3 Combinations of Use Paired Convolution Engine and NO Convolution Selection Mux settings**

Use Paired Convolution Engine	NO Convolution Selection Mux	Description
Unchecked	Unchecked	Backward compatible mode. Use for existing firmware and SensAI 1.x.
Unchecked	Checked	Recommended for SensAI 2.0 or later.
Checked	Unchecked	Not recommended.
Checked	Checked	Enhances performance of convolution calculation at the cost of increase in DSP and LUT utilization. Note that this setting may also reduce clock frequency.



## 4. IP Generation and Evaluation

This section provides information on how to generate the IP using the Lattice Diamond software, and how to run simulation, synthesis and hardware evaluation. For more details on the Lattice Diamond software, you may refer to the [Lattice Diamond User Guide](#) and [Lattice Diamond Tutorial](#).

### 4.1. Licensing the IP

An IP core-specific device-specific license string is required to enable full, unrestricted use of the Lattice CNN Accelerator IP Core in a complete, top-level design. You may refer to the instructions on how to obtain licenses for Lattice IP cores at <http://www.latticesemi.com/Products/DesignSoftwareAndIP.aspx>.

You may download and generate the CNN Accelerator IP Core and fully evaluate the core through functional simulation and implementation (synthesis, map, place and route) without an IP license string. The CNN Accelerator IP Core supports Lattice’s IP hardware evaluation capability, which makes it possible to create versions of the IP core which operate in hardware for a limited time (approximately four hours) without requiring an IP license string. See [Hardware Evaluation](#) section for further details. However, a license string is required to enable timing simulation to open the design in the Diamond software, and to generate bitstream file that does not include the hardware evaluation timeout limitation.

**Note:** All IP has a license whether in eval mode or full mode. Difference is license string.

### 4.2. Generation and Synthesis

#### 4.2.1. Getting Started

The CNN Accelerator IP Core is available for download in the Lattice IP Server using the Diamond Clarity Designer tool. The IP files can be automatically installed using InstallShield® technology in any customer-specified directory. After the IP core is installed, the IP core is listed in the Catalog tab of the Clarity Designer user interface, under DSP category as shown in [Figure 4.1](#).

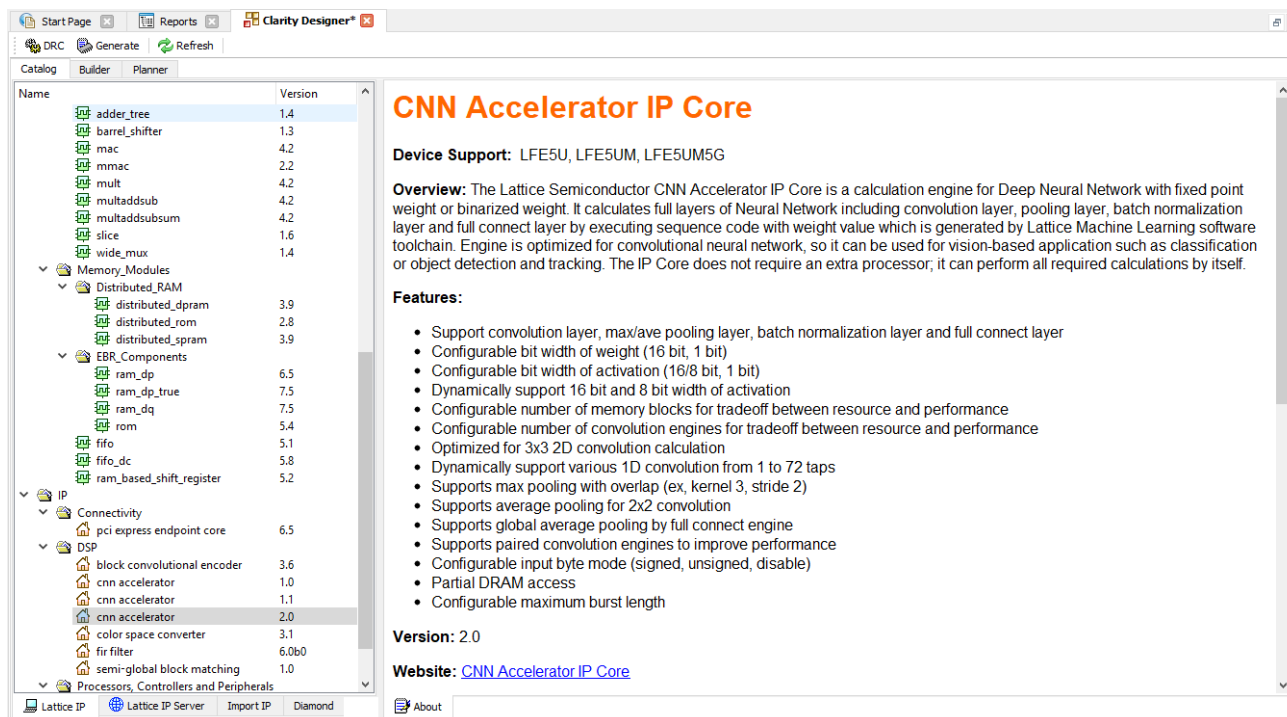


Figure 4.1. CNN Accelerator IP Core in Clarity Designer Catalog Tab

## 4.2.2. Configuring the IP Core in Clarity

The CNN Accelerator IP Core should be configured and generated before it can be used in the Diamond project. This is done via the CNN Accelerator IP Core configuration user interface (see [Figure 3.1](#)); it provides options for setting the desired parameters and invoking the IP core generator.

To configure the CNN Accelerator IP Core:

1. Double-click the CNN Accelerator IP Core in the Catalog tab of the Diamond Clarity tool.
2. Specify the following in the dialog box:
  - Instance Path
  - Instance Name

**Note:** All generated files are placed under the directory <Instance Path>/<Instance Name>.
3. Enter configuration parameters.
4. Click **Customize**. This closes the dialog box and launches the CNN Accelerator IP Core configuration user interface.
5. Enter the desired parameters in the CNN Accelerator IP Core configuration user interface. Ensure that same parameters are used in the Lattice Neural Network Compiler to be able to generate compatible command sequence code.
6. Click the **Generate** button, and close the user interface to generate the IP core and supporting files.

[Table 4.1](#) provides a list of key files and directories created by the IPexpress tool and how they are used.

**Table 4.1. File List**

Attribute	Description
<Instance Name>.lpc	This file contains the tool options used to recreate or modify the core in the Clarity tool.
<Instance Name>.ngo	This file provides the synthesized IP core.
<Instance Name>_bb.v	This file provides the synthesis black box for the user's synthesis.
<Instance Name>_inst.v	This file provides an instance template for the IP core.
<Instance Name>_top.v	This file provides an example RTL top file that instantiates the IP core.
beh_rtl.v*	This file provides cycle-accurate simulation model for the IP core. The top level module name in this file is <Instance Name>.
generate_core.tcl	This file is created when the user interface <b>Generate</b> button is pushed. This file may be run from command line.
<Instance Name>_generate.log	This is the synthesis and map log file.
<Instance Name>_gen.log	This is the IP Core generation log file.

**\*Note:** This file is located in the following path:

<Instance Path>/<Instance Name>/ml\_engine\_ecc5\_eval/<Instance Name>/src/beh\_rtl/<device>

## 4.2.3. Instantiating the IP Core

The generated CNN Accelerator IP Core package includes black-box (<Instance Name>\_bb.v) and instance (<Instance Name>\_inst.v) templates that can be used to instantiate the core in a top-level design. A sample of RTL top-level reference source file (<Instance Name>\_top.v) that can be used as an instantiation template for the IP core is also provided. You may also use this top-level reference as the starting template for the top-level for their complete design.

### 4.3. Running Functional Simulation

The CNN Accelerator IP Core does NOT contain a sample test bench for performing simple simulation test. However, a cycle-accurate simulation model (beh\_rtl.v) is provided as shown in [Table 4.1](#). This may be instantiated in a test bench. To successfully elaborate the simulation model:

1. Instantiate GSR and PUR in testbench top RTL file.

The following codes may be copied and paste to testbench top RTL file:

```
PUR PUR_INST(<active_low_reset_signal>);  
GSR GSR_INST(<active_low_reset_signal>);
```

2. Compile the simulation primitives of selected device. These are located in the following path:  
**<Diamond Install Path>/cae\_library/simulation/verilog/<device>**

### 4.4. Hardware Evaluation

The CNN Accelerator IP Core supports Lattice's IP hardware evaluation capability, which makes it possible to create versions of the IP core that operate in hardware for a limited period of time (approximately four hours) without requiring the purchase of an IP license. It may also be used to evaluate the core in hardware in user-defined designs. Choose **Project > Active Strategy > Translate Design Settings**. The hardware evaluation capability may be enabled/disabled in the Strategy dialog box. It is enabled by default.

## 5. Ordering Part Number

The Ordering Part Numbers (OPN) for CNN Accelerator IP Core targeting ECP5 and ECP5-5G FPGA devices are the following:

- CNN-ACCEL-E5-U – Project License
- CNN-ACCEL-E5-UT – Site License

## References

For more information on the FPGA device, visit: <http://www.latticesemi.com/Products/FPGAandCPLD/ECP5>.

For complete information on Lattice Diamond Project-Based Environment, Design Flow, Implementation Flow and Tasks, as well as on the Simulation Flow, see the [Lattice Diamond User Guide](#).

## Technical Support Assistance

Submit a technical support case through [www.latticesemi.com/techsupport](http://www.latticesemi.com/techsupport).

## Appendix A. Resource Utilization

Table A.1 shows configuration and resource utilization for the ECP5UM using Lattice Diamond 3.10.0.111.0. The following settings are used in generating this data. The new attributes are default for this setting.

- Synthesis Tool – Synplify Pro
- Device Part Number – LF5UM-85F-8BG756I
- BNN Blob Type – +1/0 (For Machine Learning Type: BNN)

Table A.1. Performance and Resource Utilization<sup>1</sup>

No. of Internal Storage of Blob <sup>2</sup>	Byte Mode	Use Paired Conv. Engine	NO Conv. Selection Mux	Max Burst Length	Register	LUTs	Slices	DSP MULT	DSP ALU	Block RAMs	clk Fmax <sup>3</sup> (MHz)
<b>Machine Learning Type: CNN</b>											
2	Signed	Unchecked	Unchecked	32	3888	5642	3981	26	2	26	132.679
8	Signed	Unchecked	Unchecked	32	9646	14642	10600	80	2	77	127.081
16	Signed	Unchecked	Unchecked	32	17419	27609	19314	152	2	145	121.566
16	Unsigned	Unchecked	Unchecked	32	16870	27648	19099	152	2	145	118.864
16	Disable	Unchecked	Unchecked	32	16413	24683	17541	152	2	145	124.116
16	Signed	Unchecked	Checked	32	17800	26651	19000	152	2	145	127.763
16	Signed	Checked	Checked	32	22937	33675	24057	296	2	153	123.335
16	Signed	Unchecked	Unchecked	256	17498	27520	19316	152	2	145	122.220
<b>Machine Learning Type: BNN</b>											
2	Signed	Unchecked	Unchecked	32	3565	4982	3561	0	0	25	137.099
8	Signed	Unchecked	Unchecked	32	9808	15200	10730	0	0	76	129.116
16	Signed	Unchecked	Unchecked	32	17989	28541	19941	0	0	144	120.511
16	Unsigned	Unchecked	Unchecked	32	18048	28174	19842	0	0	144	125.156
16	Disable	Unchecked	Unchecked	32	17711	25882	18384	0	0	144	126.008
16	Signed	Unchecked	Checked	32	18080	27477	19399	0	0	144	105.496
16	Signed	Checked	Checked	32	18107	27908	19621	0	0	144	117.028
16	Signed	Unchecked	Unchecked	256	17996	28523	19942	0	0	144	126.008

**Notes:**

1. Performance may vary when using a different software version or targeting a different device density or speed grade.
2. It is recommended to use No. of Internal Storage of Blob = 2 \* No. of Convolution Engines.
3. Fmax is generated when the FPGA design only contains the CNN Accelerator IP Core. These values may be reduced when user logic is added to the FPGA design.

For more information on Lattice Diamond Software, visit the Lattice web site at [www.latticesemi.com/Products/DesignSoftwareAndIP](http://www.latticesemi.com/Products/DesignSoftwareAndIP).

## Revision History

### Revision 2.0, May 2019

Section	Change Summary
All	<ul style="list-style-type: none"> <li>Added <a href="#">Disclaimers</a> section.</li> <li>Updated last page of the document.</li> </ul>
Introduction	Added new features in <a href="#">Features</a> section.
Parameter Settings	Updated <a href="#">Table 3.1. Attributes Table</a> , <a href="#">Table 3.2. Attributes Descriptions</a> and <a href="#">Figure 3.1. CNN Accelerator IP Core Configuration User Interface</a> for the new attributes.
IP Generation and Evaluation	Updated <a href="#">Figure 4.1</a> in <a href="#">Getting Started</a> section.
Appendix A. Resource Utilization	Updated <a href="#">Table A.1. Performance and Resource Utilization</a> <sup>1</sup> per result of CNN Accelerator IP Core v2.0.

### Revision 1.1, September 2018

Section	Change Summary
Functional Description	Updated Overview section. Updated status signal description in <a href="#">Table 2.1. CNN Accelerator IP Core Signal Descriptions</a> .
Appendix A. Resource Utilization	Updated <a href="#">Table A.1. Performance and Resource Utilization</a> <sup>1</sup> per result of CNN Accelerator IP Core v1.1.
Revision History	Updated revision history table to new template.

### Revision 1.0, May 2018

Section	Change Summary
All	Initial release



[www.latticesemi.com](http://www.latticesemi.com)