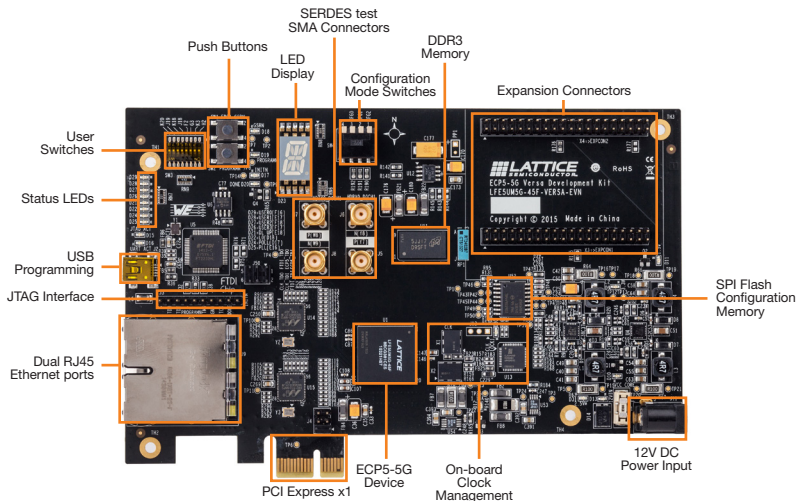


This document provides a brief introduction on how to install and run the demos based on the ECP5-5G Versa Development Kit.



1

Check Kit Contents

The ECP5-5G Versa Development Kit contains the following items:

- ECP5-5G Versa Evaluation Board
- 12V AC/DC Adapter & International Plug Adapters
- USB Cable for Programming via PC (USB-A to Mini-B)
- Quick Start Guide

2

Using the ECP5-5G Versa Development Kit

The ECP5-5G Versa Board as shipped supports Master-SPI based configuration. The external SPI Flash Configuration Memory is pre-loaded with a demonstration program described below.

3

Installing the software

If you do not have Lattice Diamond design software (version 3.6 or later) installed on your PC, visit www.latticesemi.com/software for instructions on how to download the software. If you only need to program a bitstream file to the FPGA, you can install the Diamond Programmer Stand-alone, v3.6 or later.

4

Powering the Board & Observing the Demo Program

First, connect the supplied power adapter to the 12VDC power input (J11) on the board. A few LEDs should light, indicating the board is powered. The ECP5-5G will begin configuration from the external SPI memory (provided SW4 is in default state of 010). Configuration will complete almost immediately, at which time the Status LEDs and LED Display will be illuminated in a repeating pattern.

5

Programming the ECP5-5G Versa Board with Additional Demos

To update the ECP5-5G Versa Board with additional demos, connect the included USB-mini cable to your PC with the Diamond software installed. The ECP5-5G FPGA can be programmed to perform any number of functions.

Additional Terms and Conditions Applicable to Lattice Programming and Development Hardware

Lattice device programmers, programming cables, socket adapters, and other hardware sold for use in conjunction with Lattice software ("Programming Hardware") and Lattice evaluation boards and development kits sold for use in conjunction with evaluating Lattice products ("Development Hardware") are designed and intended for use solely with semiconductor components manufactured by Lattice Semiconductor Corporation. Programming and Development Hardware is warranted to meet Lattice specifications only for a period of ninety (90) days; in all other respects the terms and conditions of sale of Programming and Development Hardware shall be Lattice's standard terms and conditions set forth in Lattice's Sales Order Acknowledgment. Additionally, Lattice specifications for Programming and Development Hardware limit their use to low-volume engineering applications only, and not for volume production use. The warranty for Programming and Development Hardware will not apply to any Programming or Development Hardware used in production, used with worn or improperly installed hardware, or used with incompatible systems or components.

Technical Support Assistance

Submit a technical support case through www.latticesemi.com/techsupport.

Copyright © 2015 Lattice Semiconductor Corporation. Lattice Semiconductor, L (stylized) Lattice Semiconductor Corp., Lattice (design), Lattice Diamond and ECP5-5G are either registered trademarks or trademarks of Lattice Semiconductor Corporation in the United States and/or other countries. Other product names used in this publication are for identification purposes only and may be trademarks of their respective companies.